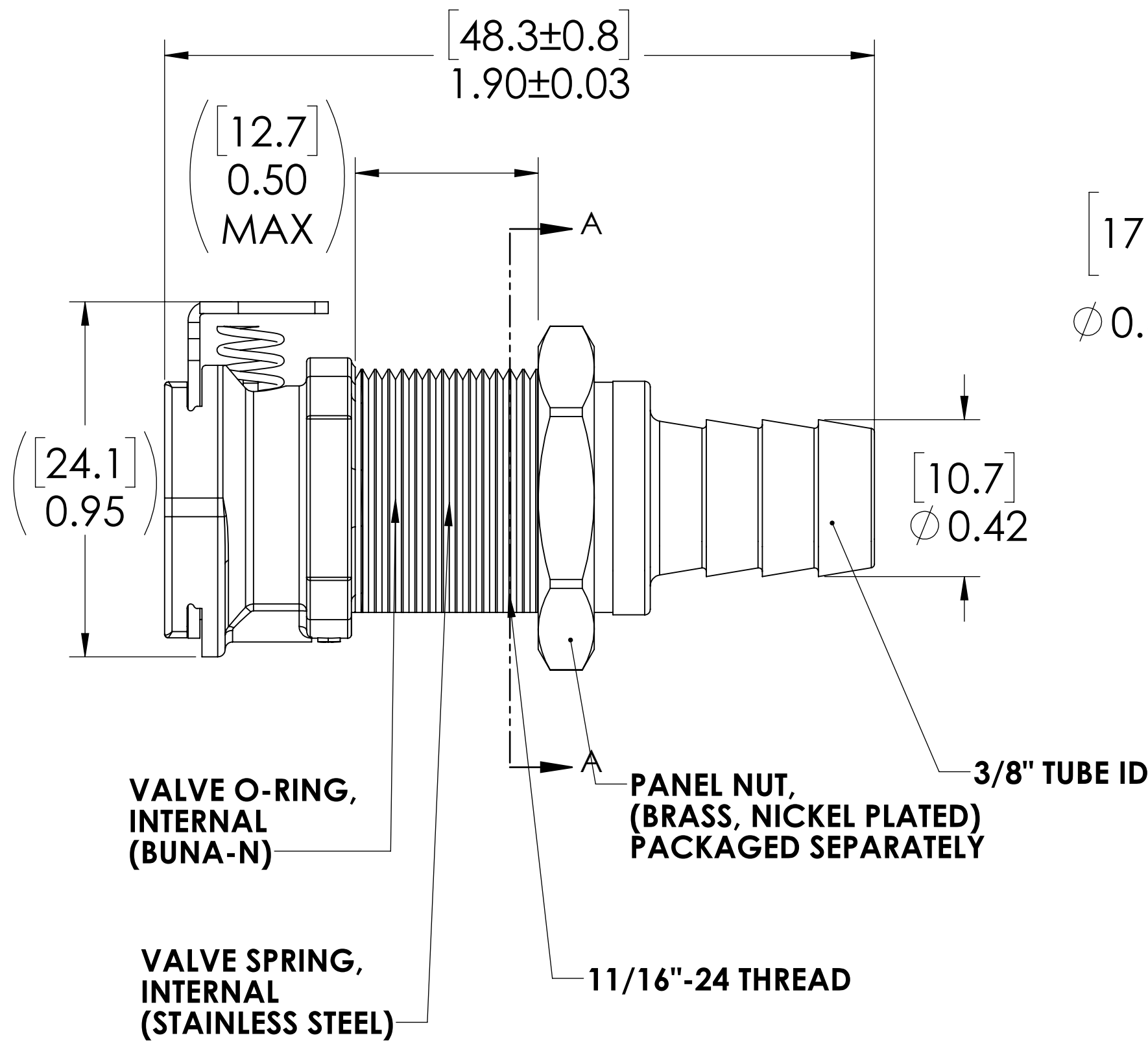
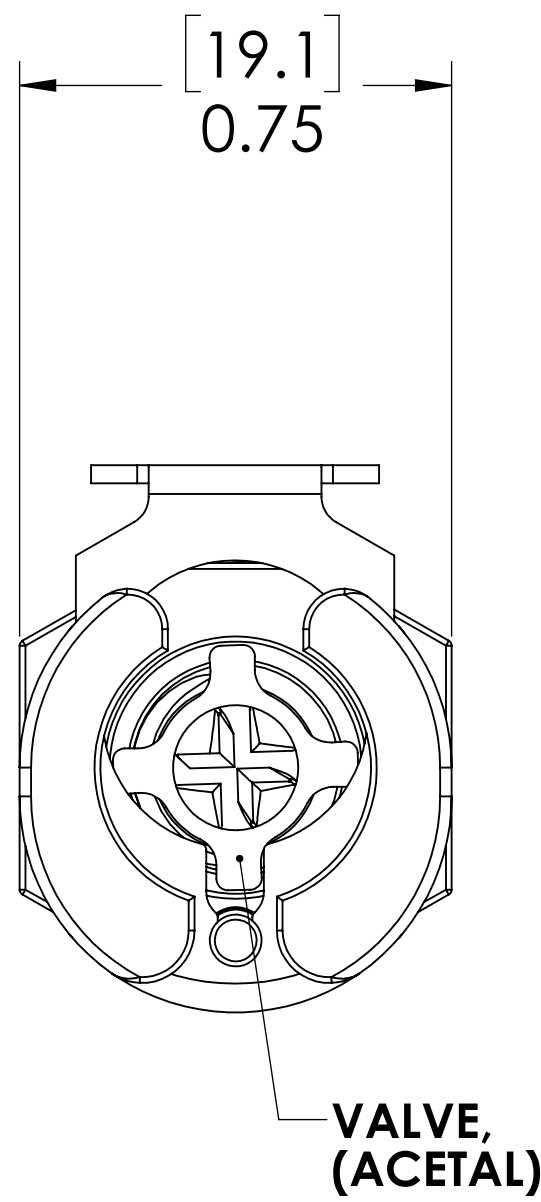
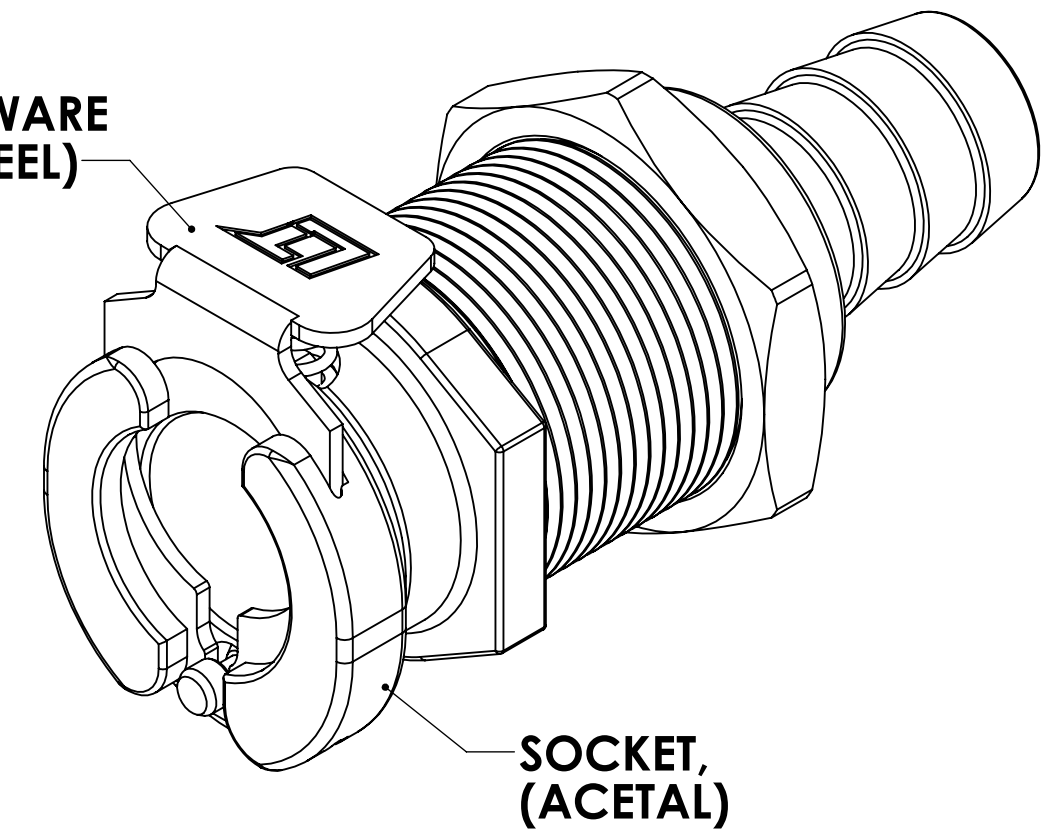


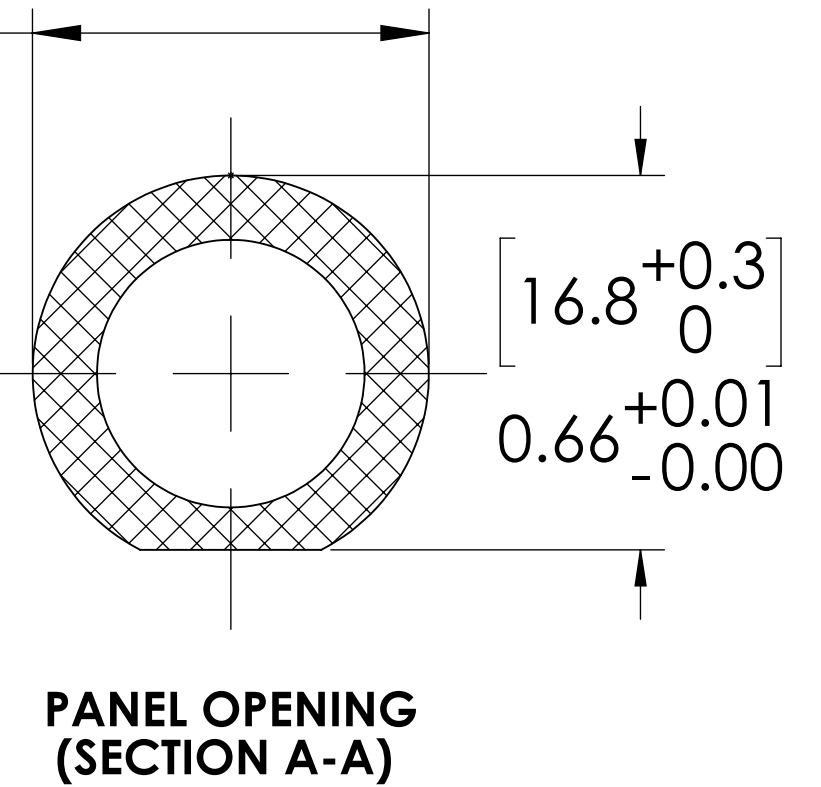
REVISIONS						
SHEET	ZONE	REV.	ECO	DESCRIPTION	DATE	APPROVED
1	ALL	A	50242	PIN, PIN SPRING & DWG FORMAT UPDATE	7/24/2018	HRC



LATCH HARDWARE (STAINLESS STEEL)



$17.5^{+0.3}_0$
 $\phi 0.69^{+0.01}_{-0.00}$



$16.8^{+0.3}_0$
 $0.66^{+0.01}_{-0.00}$

NOTES:

1. MATERIAL: ACETAL
2. COLOR: NATURAL WHITE
3. O-RING MATERIAL: BUNA-N
4. O-RINGS LUBRICATED WITH FOOD GRADE SILICONE OIL, 350 CST.

FOR REFERENCE ONLY

UNLESS OTHERWISE SPECIFIED:		NAME	DATE	LINKTECH AN OFFICE COMPANY	
DIMENSIONS ARE IN INCHES TOLERANCES: FRACTIONAL ± 1/32 ANGULAR: MACH ± 0.5 BEND ± 2 ONE PLACE DECIMAL ± 0.1 TWO PLACE DECIMAL ± 0.01 THREE PLACE DECIMAL ± 0.005 TWO PLACE DUAL (mm) [± 0.12]		DRAWN	ER 08-14-17		PART NO: 40ACV-SB3-06
THE INFORMATION CONTAINED IN THIS DRAWING IS THE SOLE PROPERTY OF LINKTECH LLC. ANY REPRODUCTION OR DISCLOSURE IN PART OR AS A WHOLE WITHOUT THE WRITTEN PERMISSION OF LINKTECH LLC IS STRICTLY PROHIBITED.		CHECKED	HRC 06-13-12		
		ENG APPR.	HRC 7/24/18	DESCRIPTION: LinkTech 40AC Series Panel Mt. Female, Valved, 3/8" HB, Natural Acetal	
		MFG APPR.	BDB 7/24/18		
		PRODUCTION	LS 7/24/18	SIZE DWG. NO. REV	
		COMMENTS:		C 40AC400107 A	
				SCALE: NTS WEIGHT: SHEET 1 OF 1	