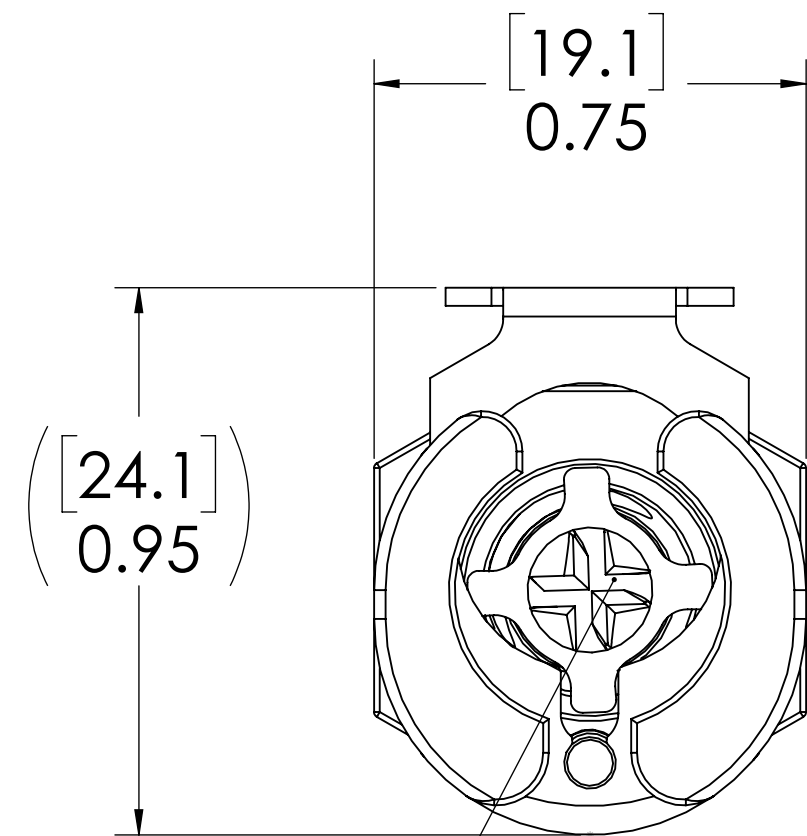
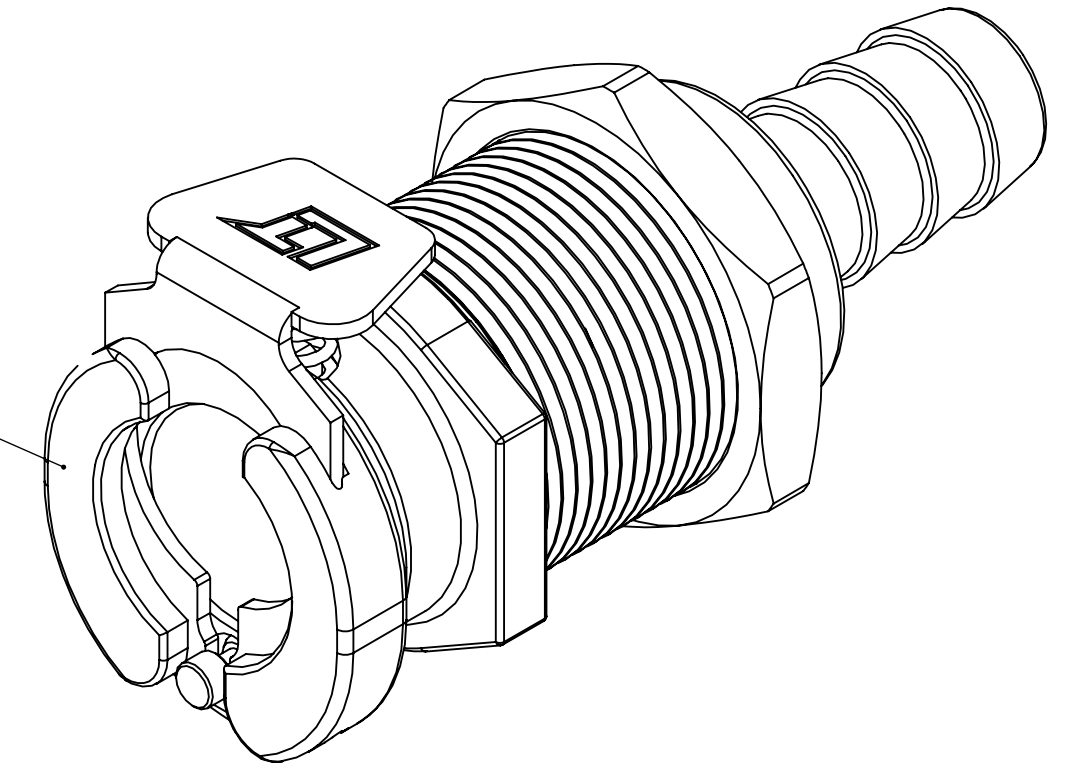


REVISIONS						
SHEET	ZONE	REV.	ECO	DESCRIPTION	DATE	APPROVED
1	ALL	A	50242	UPDATE DWG TO CURRENT FORMAT & STANDARDS	10/12/2018	HRC

**SOCKET  
(ACETAL)**



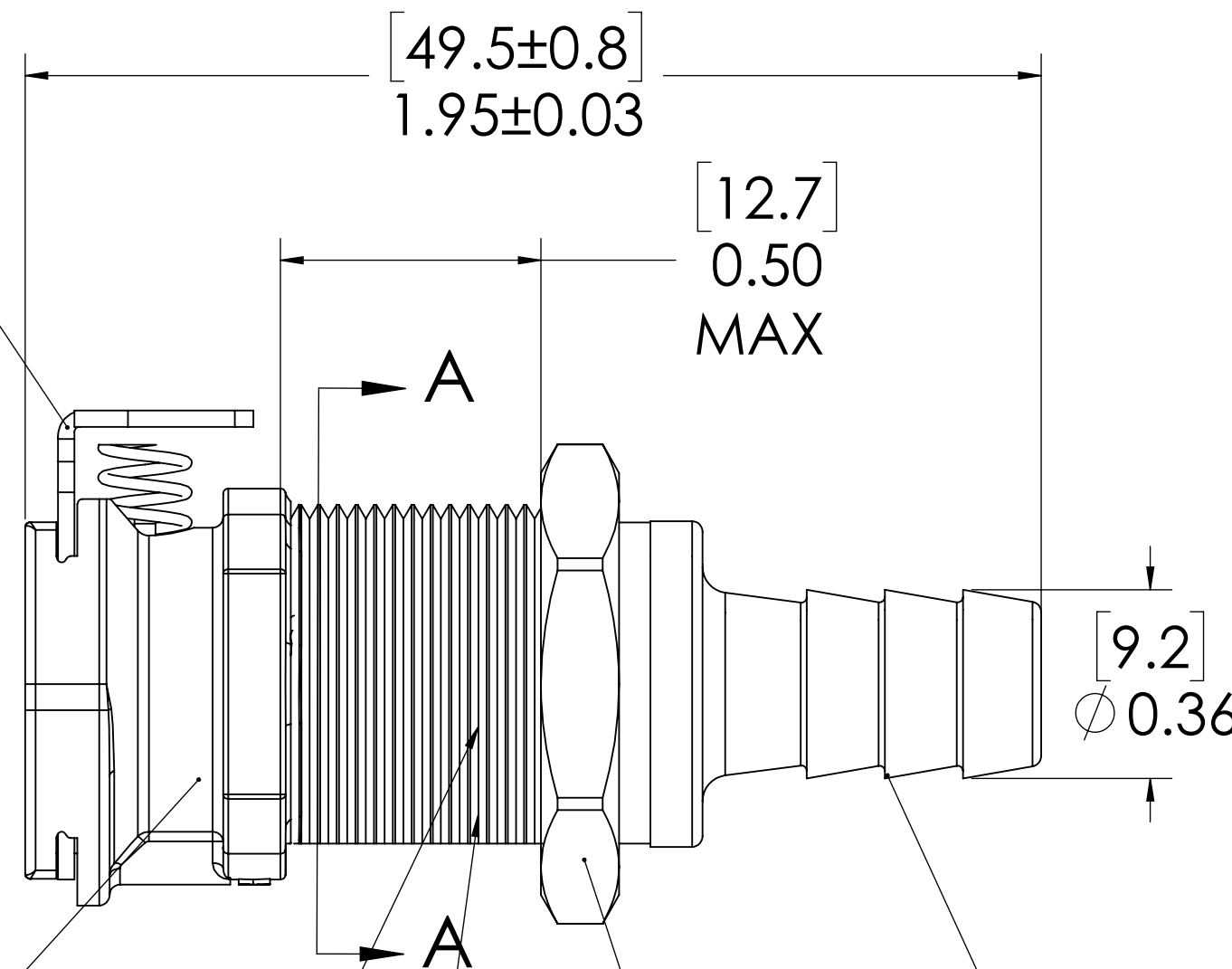
**VALVE  
INTERNAL  
(DERLIN)**

**LATCH HARDWARE  
(STAINLESS STEEL)**

**VALVE SPRING,  
INTERNAL,  
(STAINLESS STEEL)**

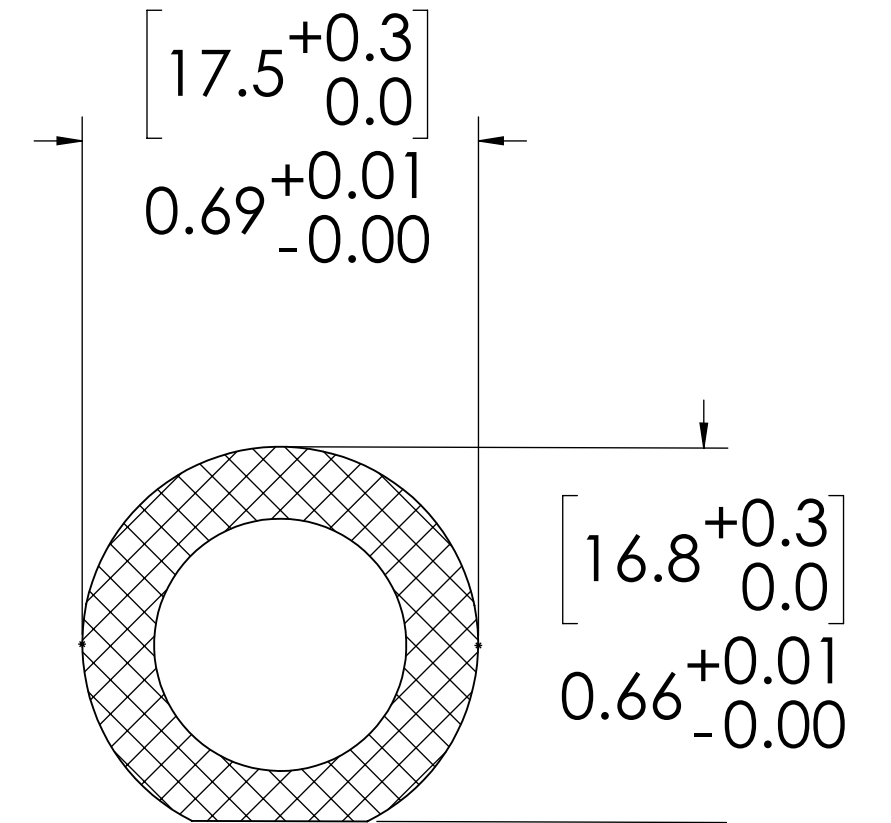
**VALVE O-RING,  
INTERNAL,  
(BUNA-N)**

**1/2-24 UNS THREAD**



**PANEL NUT  
(BRASS, NICKEL PLATED)  
(PACKAGED SEPARATELY)**

**5/16" TUBE ID**



**PANEL OPENING  
(SECTION A-A)**

**NOTES:**

- MATERIAL: ACETAL
- COLOR: NATURAL WHITE
- O-RING MATERIAL: BUNA-N
- O-RINGS LUBRICATED WITH FOOD GRADE SILICONE OIL, 350 CST.

**FOR REFERENCE ONLY**

<small>UNLESS OTHERWISE SPECIFIED: DIMENSIONS ARE IN INCHES TOLERANCES: FRACTIONAL ±1/32 ANGULAR: MACH ±0.5 BEND ±2 ONE PLACE DECIMAL ±0.1 TWO PLACE DECIMAL ±0.01 THREE PLACE DECIMAL ±0.005 TWO PLACE DUAL (mm) [±0.12]</small>	DRAWN	LDM	12/1/17	
	CHECKED	HRC	12/1/17	
	ENG APPR.	HRC	10/12/18	
	MFG APPR.	BDB	10/12/18	
PRODUCTION	LS	10/12/18		<b>PART NO: 40ACV-SB3-05</b> <b>DESCRIPTION: LinkTech 40AC Series Panel Mt. Female, Valved, 5/16" HB, Natural Acetal</b>
<small>PROPRIETARY AND CONFIDENTIAL THE INFORMATION CONTAINED IN THIS DRAWING IS THE SOLE PROPERTY OF LINKTECH LLC. ANY REPRODUCTION OR DISCLOSURE IN PART OR AS A WHOLE WITHOUT THE WRITTEN PERMISSION OF LINKTECH LLC IS STRICTLY PROHIBITED.</small>	COMMENTS:			<b>SIZE DWG. NO. REV</b> <b>C 40AC400245 A</b>
SCALE: NTS		WEIGHT:	SHEET 1 OF 1	