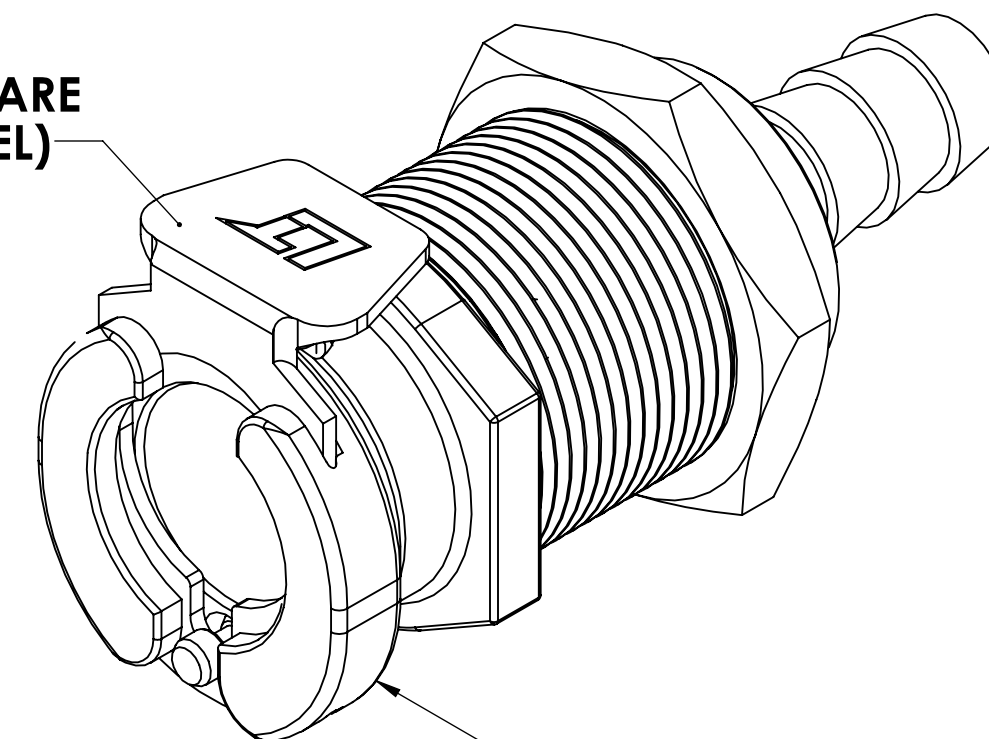
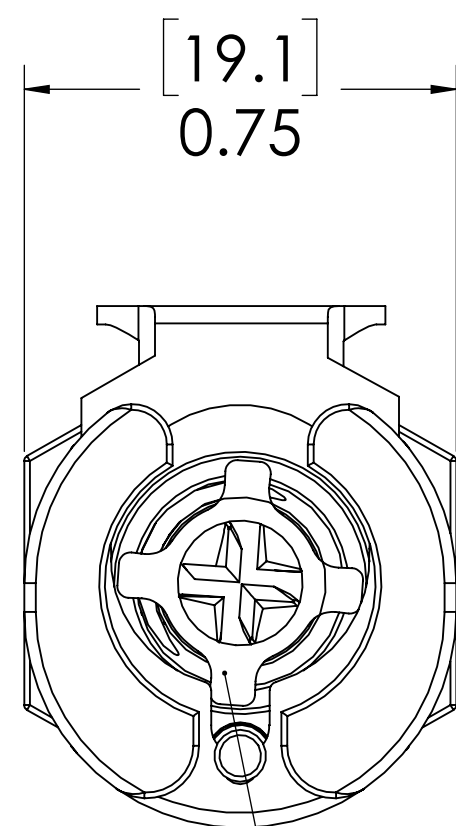


REVISIONS						
SHEET	ZONE	REV.	ECO	DESCRIPTION	DATE	APPROVED
1		A	50242	PIN, PIN SPRING & DWG FORMAT UPDATE	7/24/2018	HRC

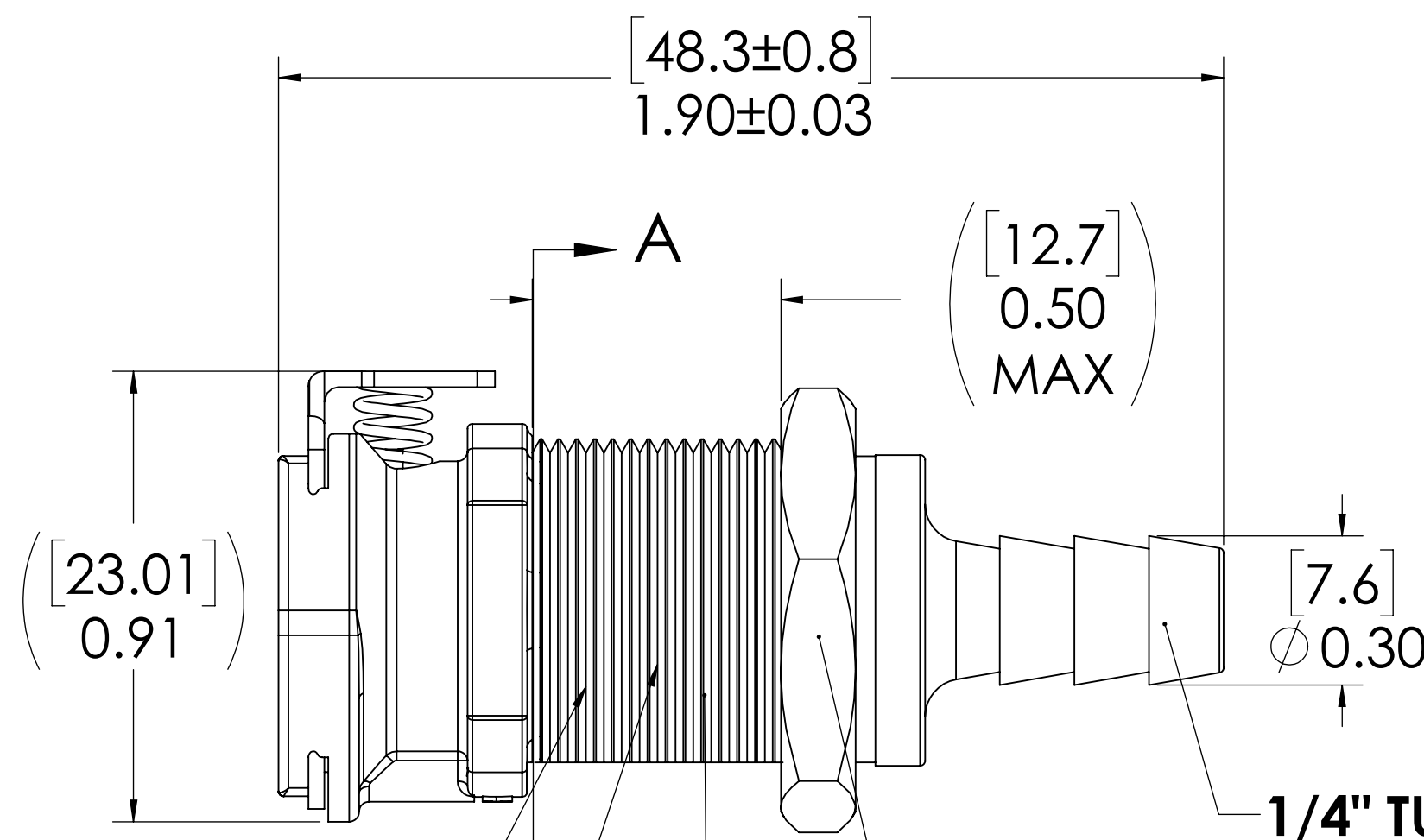
**LATCH HARDWARE
(STAINLESS STEEL)**



**SOCKET,
(ACETAL)**



**VALVE,
(ACETAL)**



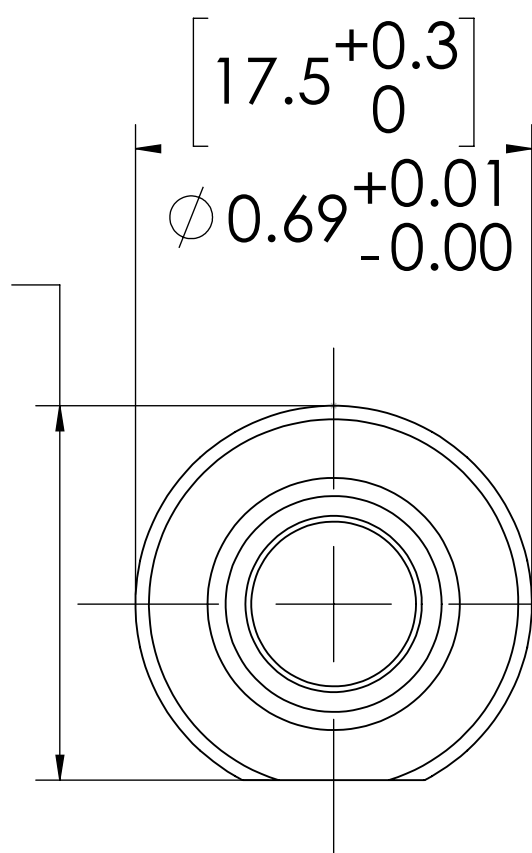
**VALVE O-RING,
INTERNAL
(BUNA-N)**

**VALVE SPRING,
INTERNAL
(STAINLESS STEEL)**

**PANEL NUT,
(BRASS, NICKEL PLATED)
PACKAGED SEPARATELY**

11/16\"-24 THREAD

$16.8^{+0.3}_0$
 $0.66^{+0.01}_{-0.00}$



**PANEL OPENING
(SECTION A-A)**

NOTES:

- MATERIAL: ACETAL
- COLOR: NATURAL WHITE
- O-RING MATERIAL: BUNA-N
- O-RINGS LUBRICATED WITH FOOD GRADE SILICONE OIL, 350 CST.

FOR REFERENCE ONLY

<small>UNLESS OTHERWISE SPECIFIED: DIMENSIONS ARE IN INCHES TOLERANCES: FRACTIONAL ±1/32 ANGULAR, MACH ±0.5 BEND ±2 ONE PLACE DECIMAL ±0.1 TWO PLACE DECIMAL ±0.01 THREE PLACE DECIMAL ±0.005 TWO PLACE DUAL (mm) [±0.12]</small>	DRAWN	ER	08-15-17							
	CHECKED	HRC	08-15-17							
	ENG APPR.	HRC	7/24/18							
	MFG APPR.	BDB	7/24/18							
PRODUCTION	LS	7/24/18		PART NO: 40ACV-SB3-04 DESCRIPTION: LinkTech 40AC Series Panel Mt. Female, Valved, 1/4" HB, Natural Acetal						
<small>THE INFORMATION CONTAINED IN THIS DRAWING IS THE SOLE PROPERTY OF LINKTECH LLC. ANY REPRODUCTION OR DISCLOSURE IN PART OR AS A WHOLE WITHOUT THE WRITTEN PERMISSION OF LINKTECH LLC IS STRICTLY PROHIBITED.</small>				<table border="1"> <tr> <td>SIZE</td> <td>DWG. NO.</td> <td>REV</td> </tr> <tr> <td>C</td> <td>40AC400211</td> <td>A</td> </tr> </table>	SIZE	DWG. NO.	REV	C	40AC400211	A
SIZE	DWG. NO.	REV								
C	40AC400211	A								
SCALE: NTS			WEIGHT:	SHEET 1 OF 1						