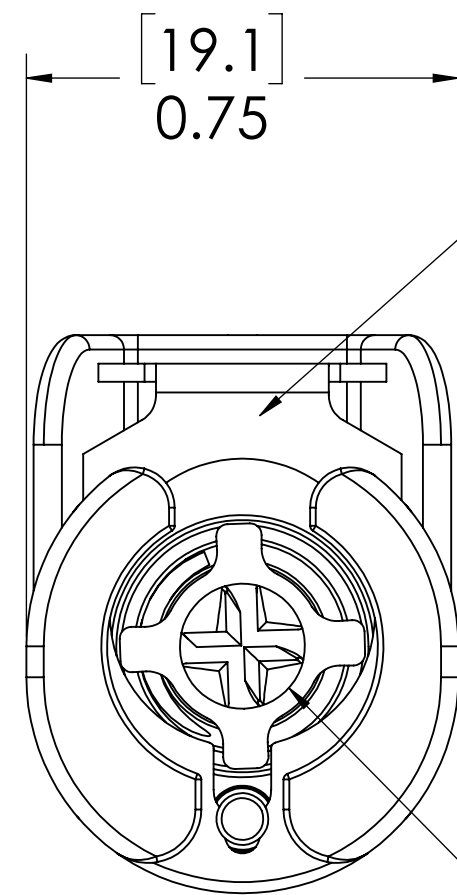
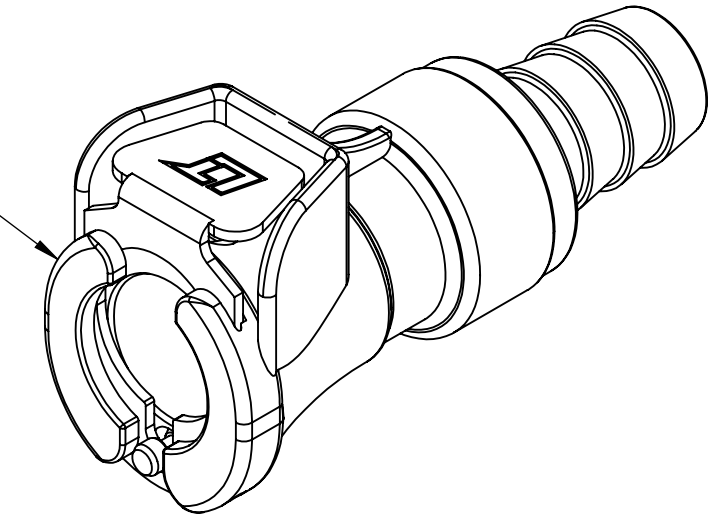


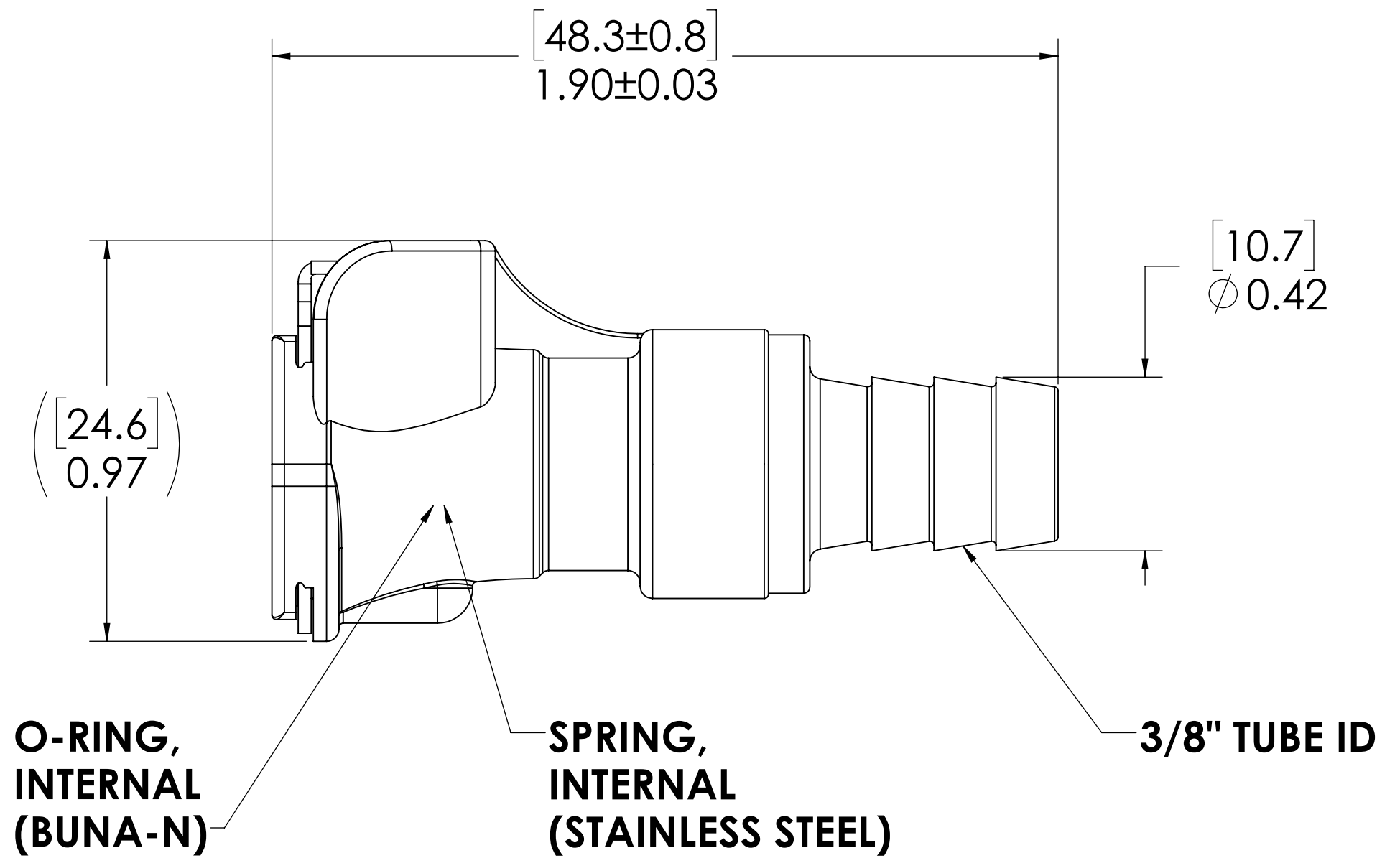
REVISIONS						
SHEET	ZONE	REV.	ECO	DESCRIPTION	DATE	APPROVED
1	ALL	A	50242	FORMAT, PIN SPRING AND PIN UPDATE	10/25/2017	HRC

**SOCKET,
(ACETAL)**



**LATCH HARDWARE,
(STAINLESS STEEL)**

**VALVE,
INTERNAL
(ACETAL)**



**O-RING,
INTERNAL
(BUNA-N)**

**SPRING,
INTERNAL
(STAINLESS STEEL)**

3/8" TUBE ID

NOTES:

- MATERIAL: ACETAL
- COLOR: NATURAL WHITE
- O-RING MATERIAL: BUNA-N
- O-RINGS LUBRICATED WITH FOOD GRADE SILICONE OIL, 350 CST.

FOR REFERENCE ONLY

<small>UNLESS OTHERWISE SPECIFIED: DIMENSIONS ARE IN INCHES TOLERANCES: FRACTIONAL ± 1/32 ANGULAR, MACH ± 0.5 BEND ± 2 ONE PLACE DECIMAL ± 0.1 TWO PLACE DECIMAL ± 0.01 THREE PLACE DECIMAL ± 0.005 TWO PLACE DUAL (mm) [± 0.12]</small>	DRAWN	RDA	DATE	
	CHECKED	HRC	7/7/2017	
	ENG APPR.	HRC	10/25/17	
	MFG APPR.	BDB	10/25/17	
<small>PROPRIETARY AND CONFIDENTIAL THE INFORMATION CONTAINED IN THIS DRAWING IS THE SOLE PROPERTY OF LINKTECH LLC. ANY REPRODUCTION OR DISCLOSURE IN PART OR AS A WHOLE WITHOUT THE WRITTEN PERMISSION OF LINKTECH LLC IS STRICTLY PROHIBITED.</small>	Q.A.	JJB	10/25/17	PART NO: 40ACV-SB2-06 DESCRIPTION: LinkTech 40AC Series Straight Female, Valved, 375 HB, Natural Acetal
<small>SCALE: NTS</small>		<small>WEIGHT:</small>		<small>SHEET 1 OF 1</small>