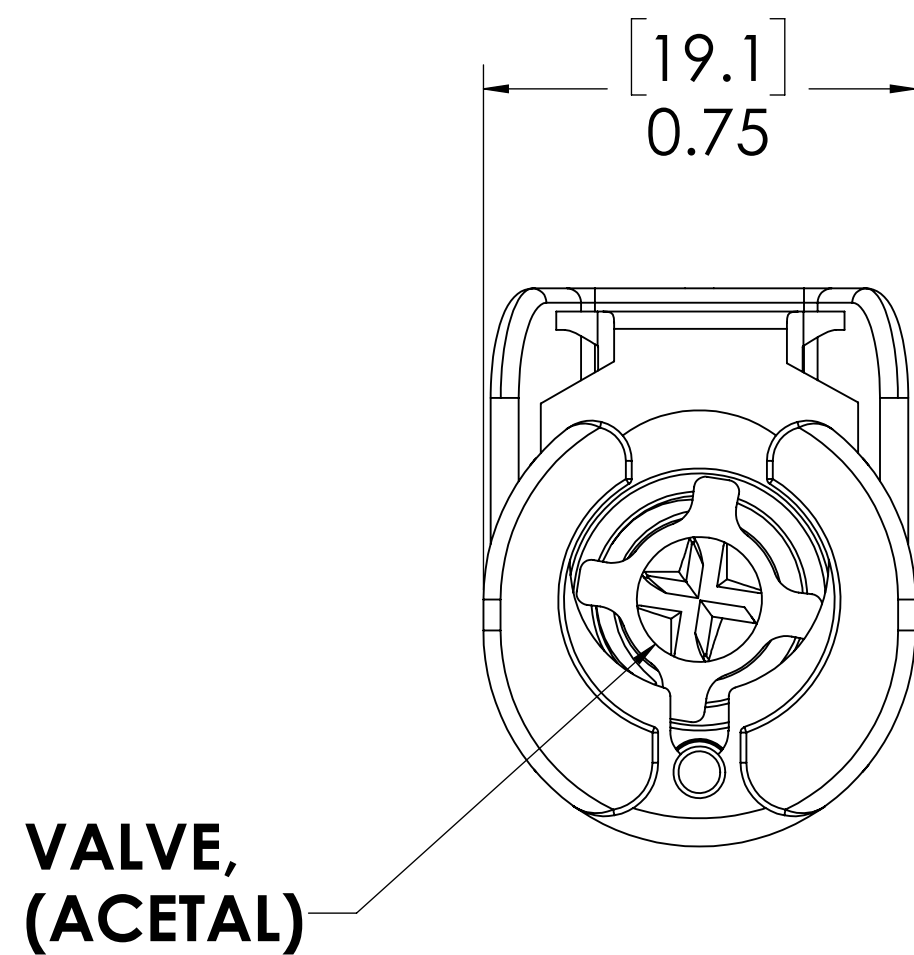
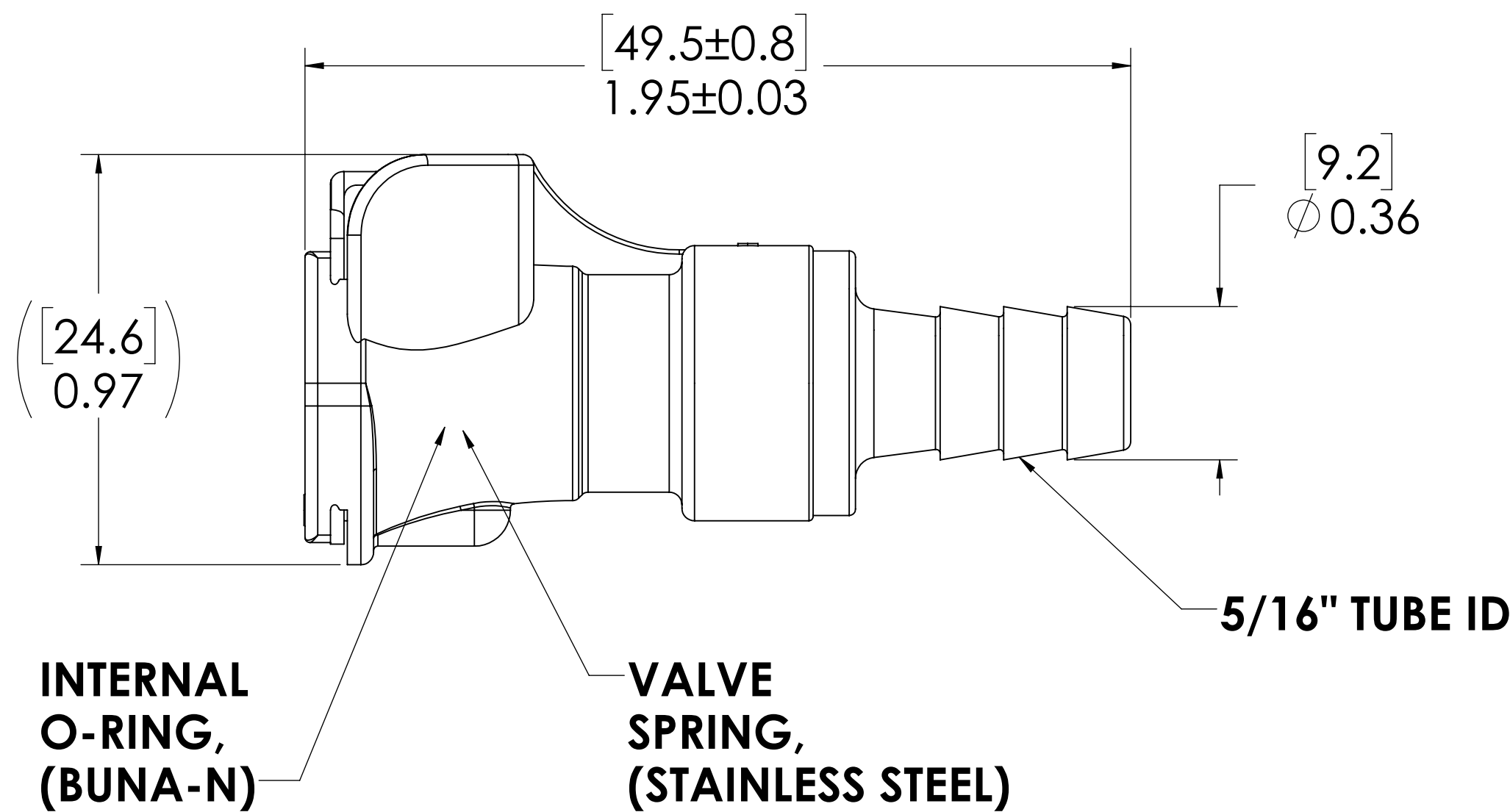
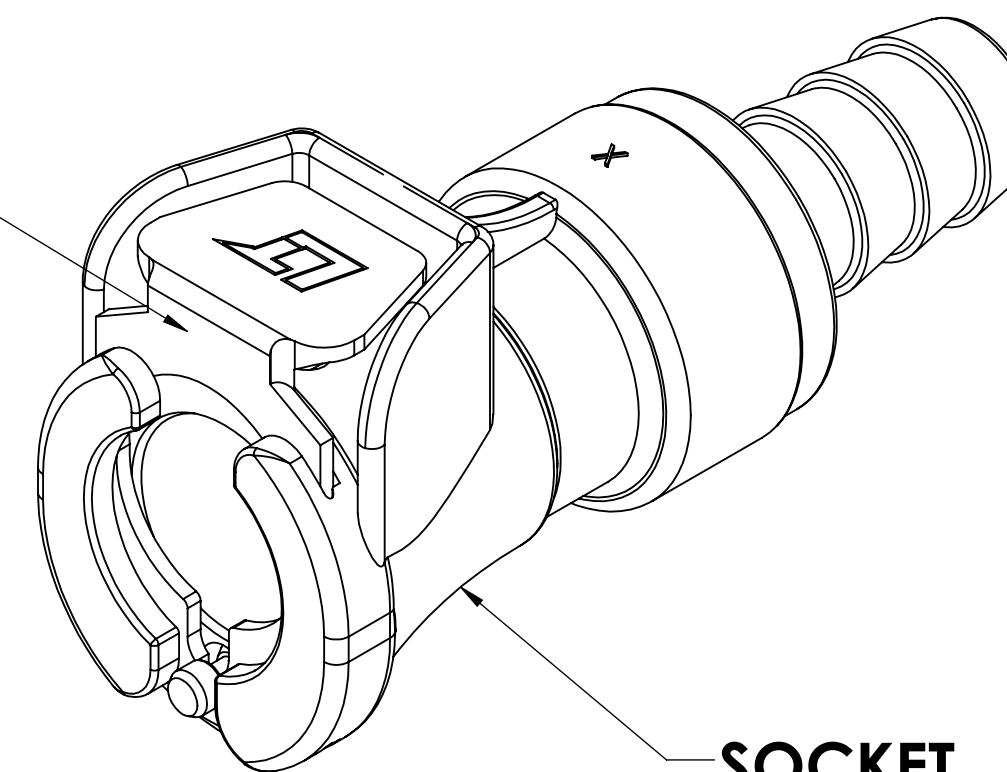


| REVISIONS |      |      |       |                                      |            |          |
|-----------|------|------|-------|--------------------------------------|------------|----------|
| SHEET     | ZONE | REV. | ECO   | DESCRIPTION                          | DATE       | APPROVED |
| 1         | ALL  | B    | 50242 | PIN, PIN SPRING & 2017 FORMAT UPDATE | 10/25/2017 | HRC      |



**LATCH HARDWARE, (STAINLESS STEEL)**



**NOTES:**

- MATERIAL: ACETAL
- COLOR: NATURAL WHITE
- O-RING MATERIAL: BUNA-N
- O-RINGS LUBRICATED WITH FOOD GRADE SILICONE OIL, 350 CST.

**FOR REFERENCE ONLY**

|  |           |                |                 |   |
|--|-----------|----------------|-----------------|---|
| <small>UNLESS OTHERWISE SPECIFIED:<br/>DIMENSIONS ARE IN INCHES<br/>TOLERANCES:<br/>FRACTIONAL ± 1/32<br/>ANGULAR: MACH ± 0.5 BEND ± 2<br/>ONE PLACE DECIMAL ± 0.1<br/>TWO PLACE DECIMAL ± 0.01<br/>THREE PLACE DECIMAL ± 0.005<br/>TWO PLACE DUAL (mm) [± 0.12]</small> | DRAWN     | <b>CKE</b>     | <b>6-22-17</b>  |   |
|  | CHECKED   | <b>HRC</b>     | <b>6-22-17</b>  |   |
|  | ENG APPR. | <b>HRC</b>     | <b>10-25-17</b> |   |
|  | MFG APPR. | <b>BDB</b>     | <b>10-25-17</b> |   |
| <small>PROPRIETARY AND CONFIDENTIAL<br/>THE INFORMATION CONTAINED IN THIS DRAWING IS THE SOLE PROPERTY OF LINKTECH LLC. ANY REPRODUCTION OR DISCLOSURE IN PART OR AS A WHOLE WITHOUT THE WRITTEN PERMISSION OF LINKTECH LLC IS STRICTLY PROHIBITED.</small>              | Q.A.      | <b>JJB</b>     | <b>10-25-17</b> | <b>PART NO:</b><br>40ACV-SB2-05   |
| <small>COMMENTS:</small>   |           |                |                 | <b>DESCRIPTION:</b><br>LinkTech 40AC Series Straight Female, Valved, 516 HB, Natural Acetal |
| <b>SIZE</b> DWG. NO.   |           | <b>REV</b>     |                 | <b>C</b> 40AC400201 <b>A</b>  |
| <b>SCALE:</b> NTS  |           | <b>WEIGHT:</b> |                 | <b>SHEET 1 OF 1</b>   |