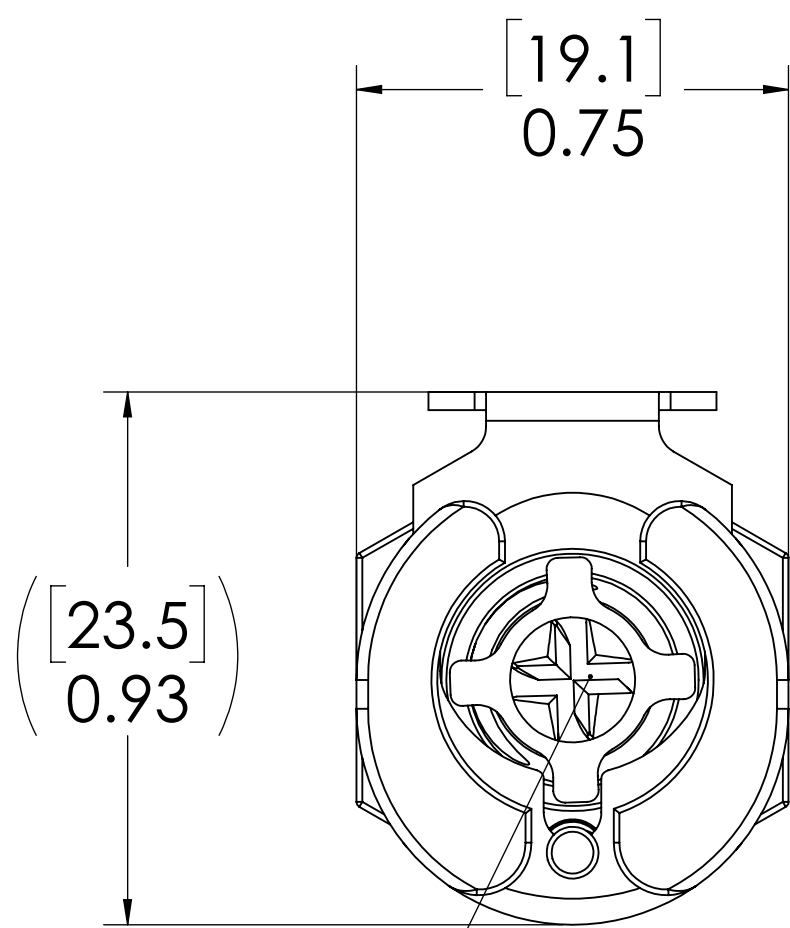
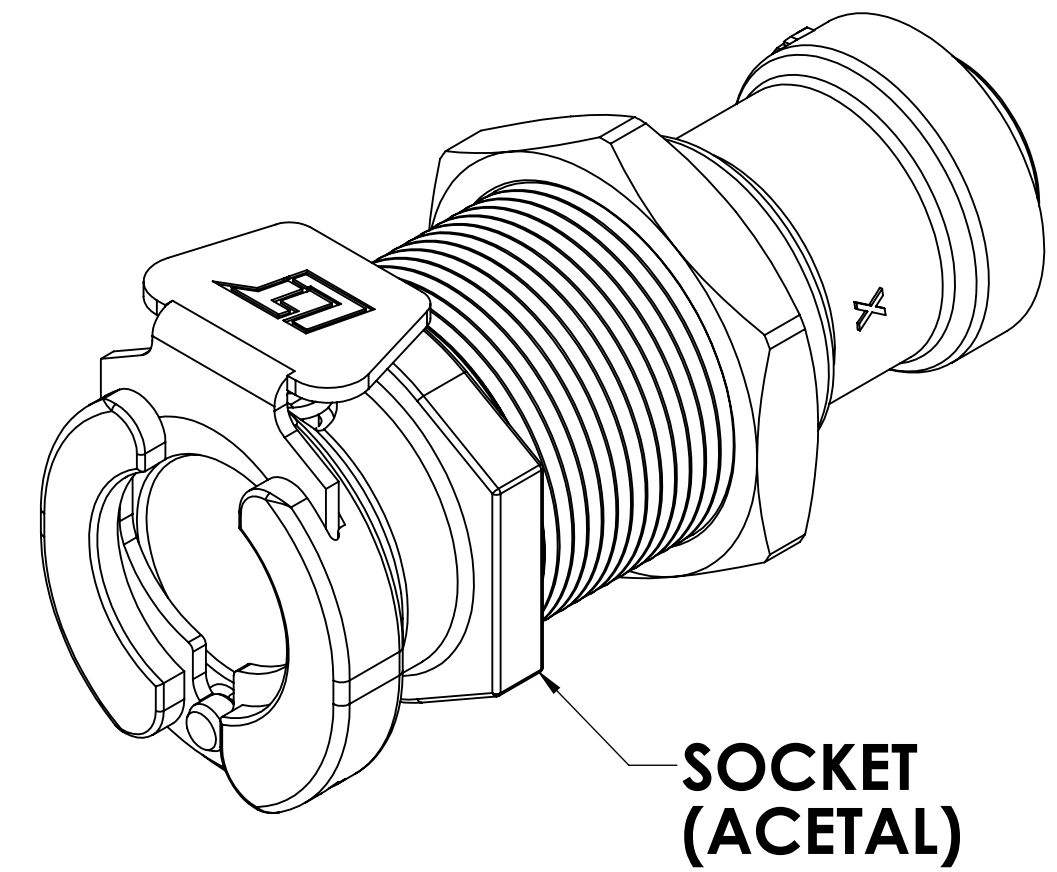


REVISIONS						
SHEET	ZONE	REV.	ECO	DESCRIPTION	DATE	APPROVED
1	ALL	A	50026	INITIAL RELEASE	10/24/2012	HRC
1	ALL	B	50026	UPDATED BOM AND DRAWING FORMAT	11/30/2015	HRC
1	ALL	C	50242	UPDATE DWG TO CURRENT FORMAT & STANDARDS	10/12/2018	HRC



**VALVE (ACETAL)**

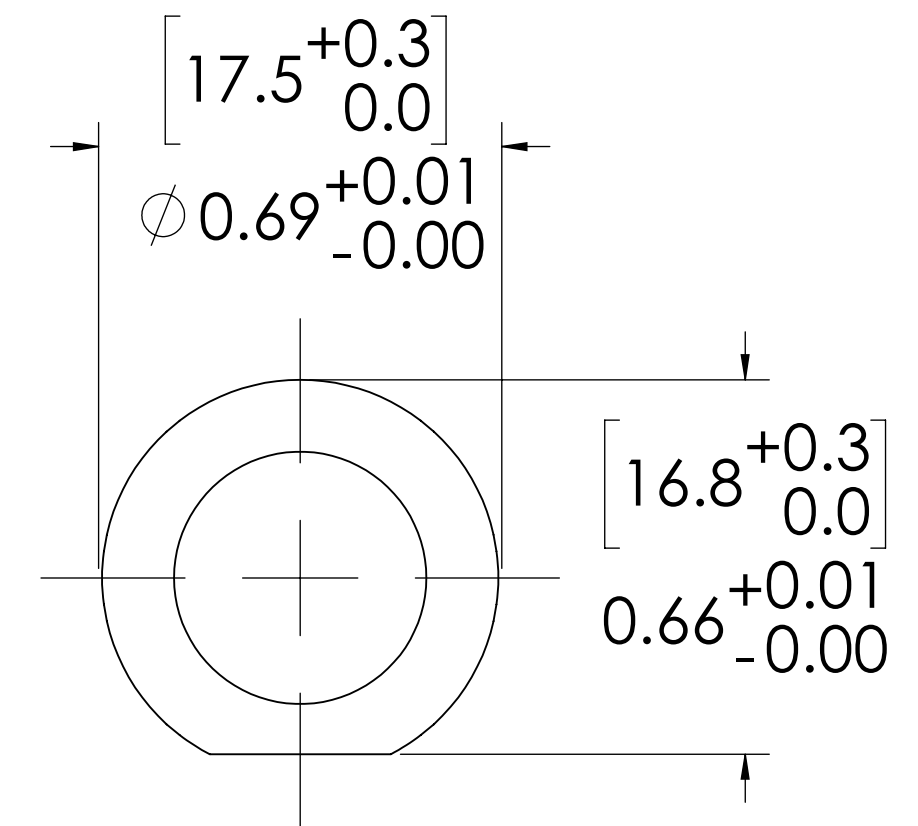
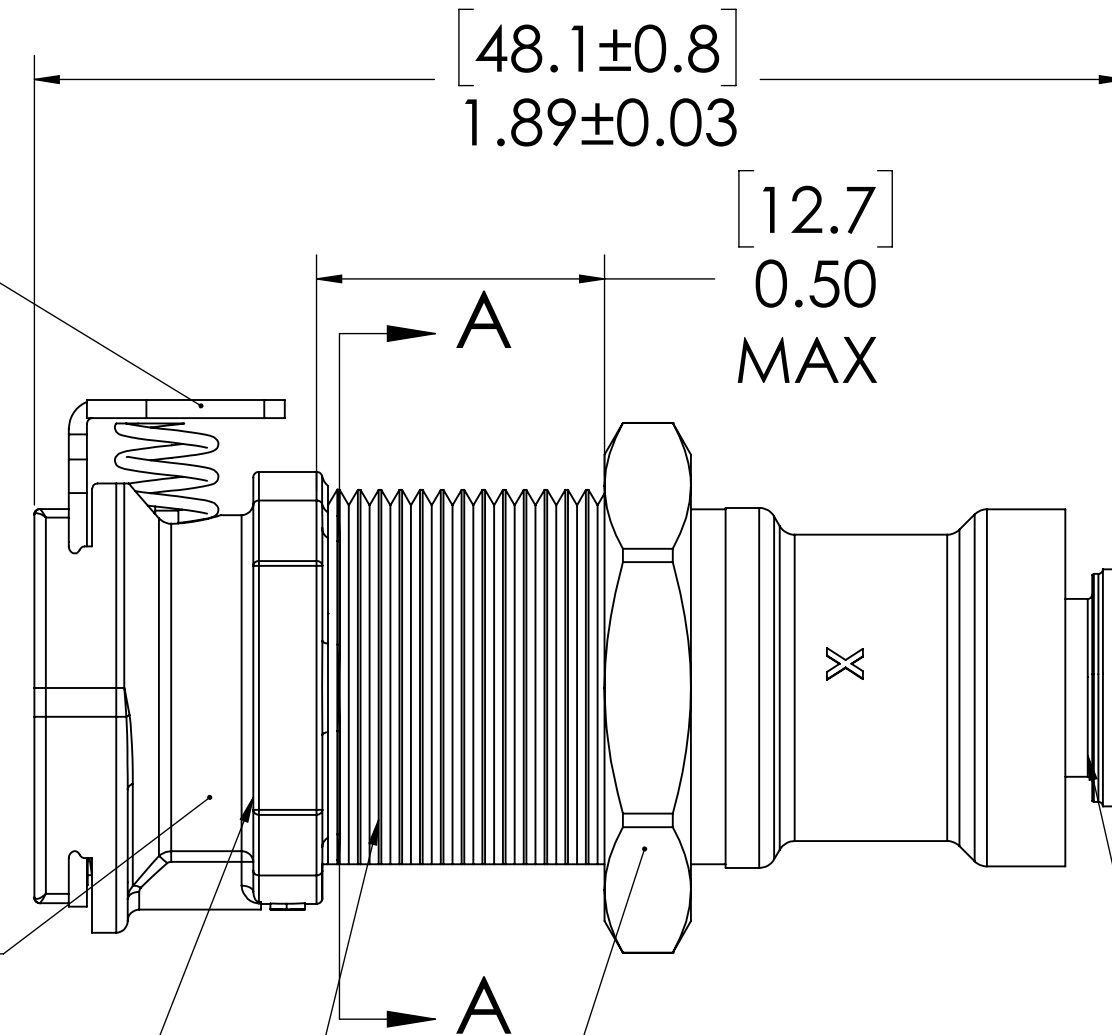
**LATCH HARDWARE (STAINLESS STEEL)**

**VALVE O-RING INTERNAL (BUNA-N)**

**VALVE SPRING INTERNAL (STAINLESS STEEL)**

**11/16"-24 UNS THREAD**

**PANEL NUT (BRASS, NICKEL PLATED) (PACKAGED SEPERATELY)**



**PANEL OPENING (SECTION A-A)**

**1/4" TUBE OD (PUSH-IN, BUNA)**

**NOTES:**

- MATERIAL: ACETAL
- COLOR: NATURAL WHITE
- O-RING MATERIAL: BUNA-N
- O-RINGS LUBRICATED WITH FOOD GRADE SILICONE OIL, 350 CST.

**FOR REFERENCE ONLY**

<small>UNLESS OTHERWISE SPECIFIED: DIMENSIONS ARE IN INCHES TOLERANCES: FRACTIONAL ±1/32 ANGULAR: MACH ±0.5 BEND ±2 ONE PLACE DECIMAL ±0.1 TWO PLACE DECIMAL ±0.01 THREE PLACE DECIMAL ±0.005 TWO PLACE DUAL (mm) [±0.12]</small>	DRAWN	LDM	12/11/17							
	CHECKED	HRC	12/11/17							
	ENG APPR.	HRC	10/12/18							
	MFG APPR.	BDB	10/12/18							
PRODUCTION	LS	10/12/18		<b>PART NO. 40ACV-SB18-04</b> <b>DESCRIPTION: LinkTech 40AC Series Panel Mt. Female, Valved, 1/4" O.D. Push-in, Natural Acetal</b>						
<small>THE INFORMATION CONTAINED IN THIS DRAWING IS THE SOLE PROPERTY OF LINKTECH LLC. ANY REPRODUCTION OR DISCLOSURE IN PART OR AS A WHOLE WITHOUT THE WRITTEN PERMISSION OF LINKTECH LLC IS STRICTLY PROHIBITED.</small>				<table border="1"> <tr> <td>SIZE</td> <td>DWG. NO.</td> <td>REV</td> </tr> <tr> <td><b>C</b></td> <td><b>40AC400090</b></td> <td><b>C</b></td> </tr> </table>	SIZE	DWG. NO.	REV	<b>C</b>	<b>40AC400090</b>	<b>C</b>
SIZE	DWG. NO.	REV								
<b>C</b>	<b>40AC400090</b>	<b>C</b>								
<small>SCALE: NTS WEIGHT: SHEET 1 OF 1</small>										