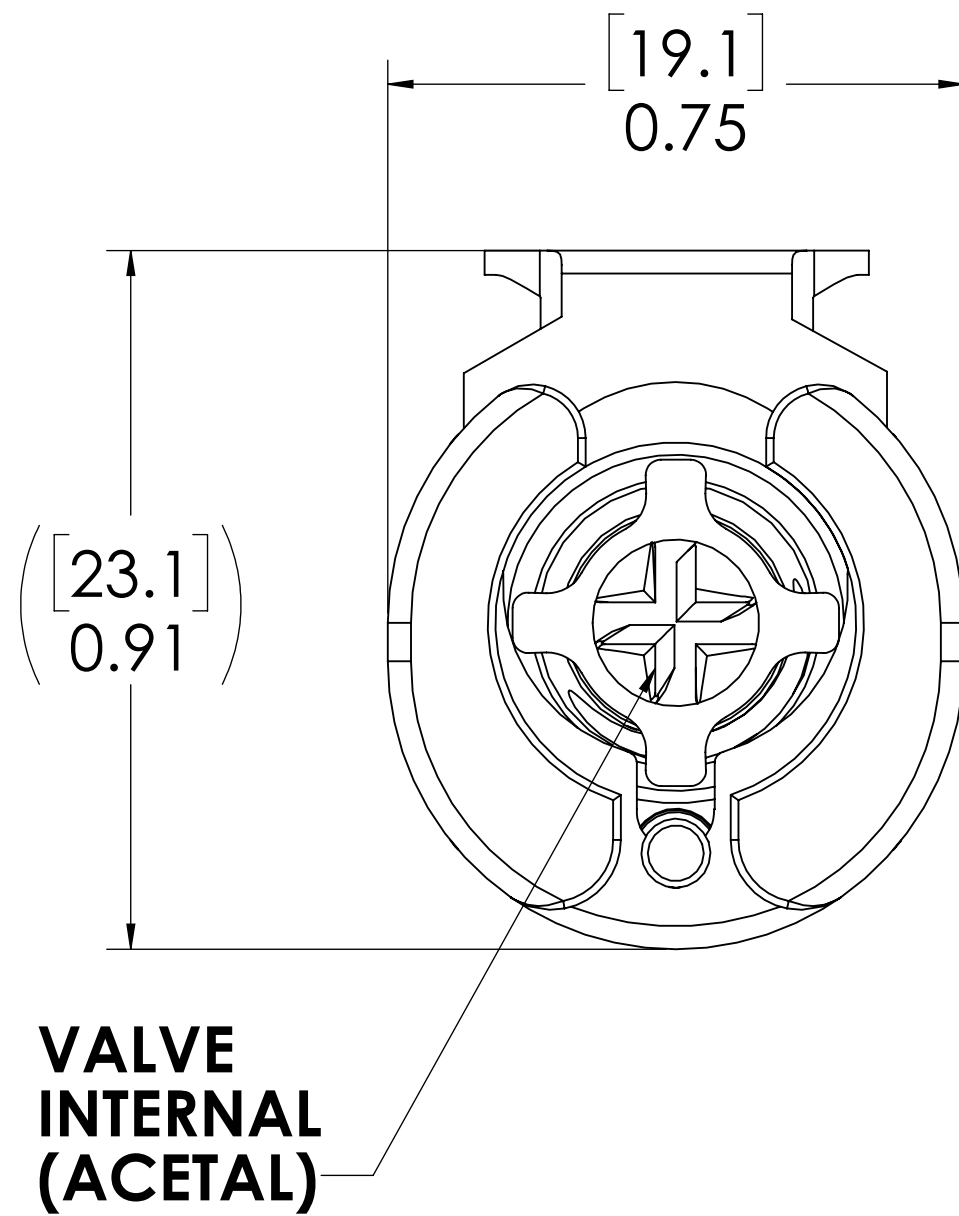
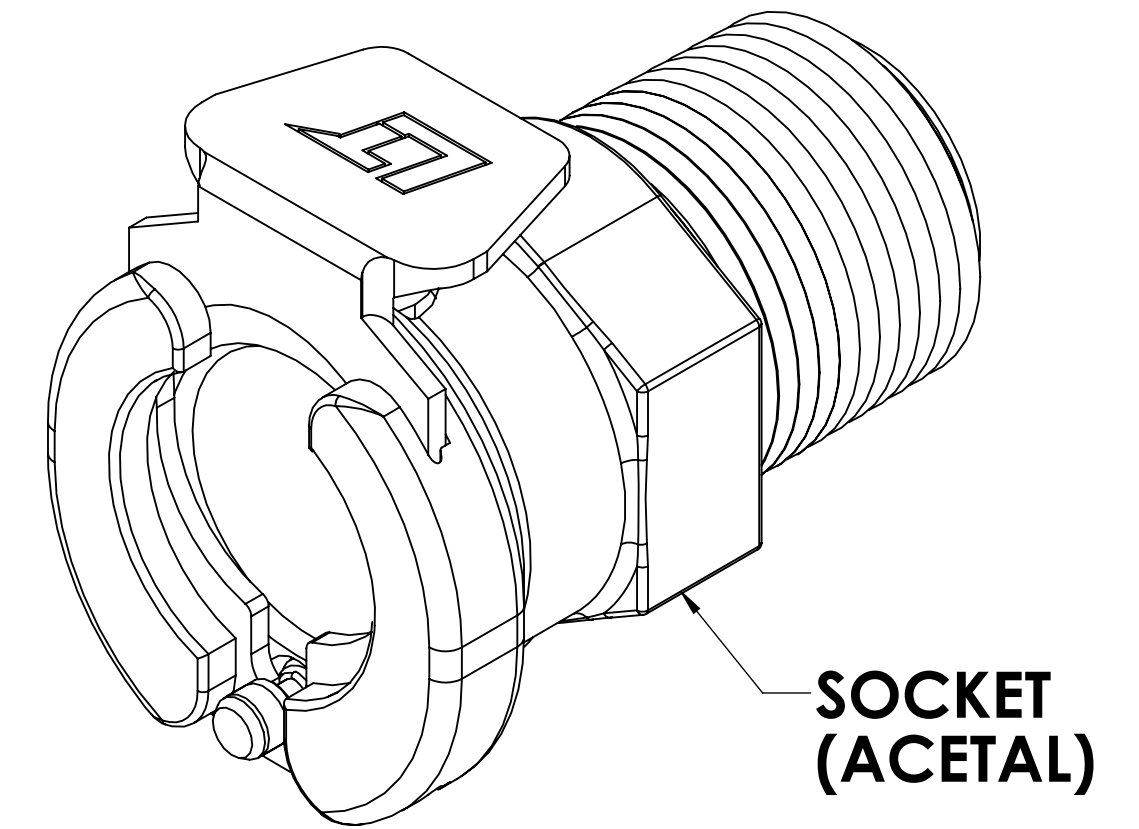
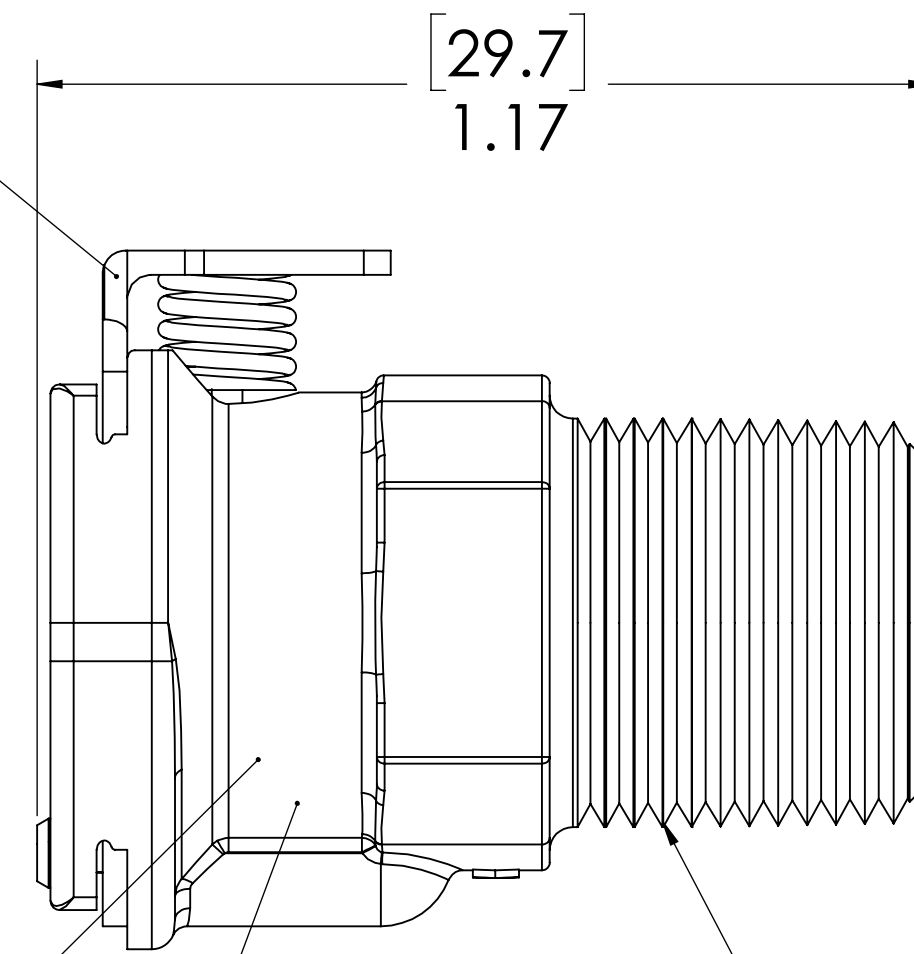


REVISIONS						
SHEET	ZONE	REV.	ECO	DESCRIPTION	DATE	APPROVED
1	ALL	A	50242	UPDATE DWG TO CURRENT FORMAT & STANDARDS	7/24/2018	HRC



**LATCH HARWARE
(STAINLESS STEEL)**



**O-RING
INTERNAL
(BUNA-N)**

**VALVE SPRING
INTERNAL
(STAINLESS STEEL)**

**1/4" BSPT
(PIPE THREAD)**

NOTES:

1. MATERIAL: ACETAL
2. COLOR: NATURAL WHITE
3. O-RING MATERIAL: BUNA-N
4. O-RINGS LUBRICATED WITH FOOD GRADE SILICONE OIL, 350 CST.

FOR REFERENCE ONLY

<small>UNLESS OTHERWISE SPECIFIED: DIMENSIONS ARE IN INCHES TOLERANCES: FRACTIONAL ± 1/32 ANGULAR: MACH ± 0.5 BEND ± 2 ONE PLACE DECIMAL ± 0.1 TWO PLACE DECIMAL ± 0.01 THREE PLACE DECIMAL ± 0.005 TWO PLACE DUAL (mm) [± 0.12]</small>	DRAWN	LDM	11/30/17							
	CHECKED	HRC	7/11/17							
	ENG APPR.	HRC	7/24/18							
	MFG APPR.	BDB	7/24/18							
PRODUCTION	LS	7/24/18		PART NO: 40ACV-SB1-04BSPT DESCRIPTION: LinkTech 40AC Series Male Thread Female, Valved, 1/4" BSPT, Natural Acetal						
<small>PROPRIETARY AND CONFIDENTIAL THE INFORMATION CONTAINED IN THIS DRAWING IS THE SOLE PROPERTY OF LINKTECH LLC. ANY REPRODUCTION OR DISCLOSURE IN PART OR AS A WHOLE WITHOUT THE WRITTEN PERMISSION OF LINKTECH LLC IS STRICTLY PROHIBITED.</small>				<table border="1"> <tr> <td>SIZE</td> <td>DWG. NO.</td> <td>REV</td> </tr> <tr> <td>C</td> <td>40AC400243</td> <td>A</td> </tr> </table>	SIZE	DWG. NO.	REV	C	40AC400243	A
SIZE	DWG. NO.	REV								
C	40AC400243	A								
<small>SCALE: NTS WEIGHT: SHEET 1 OF 1</small>										