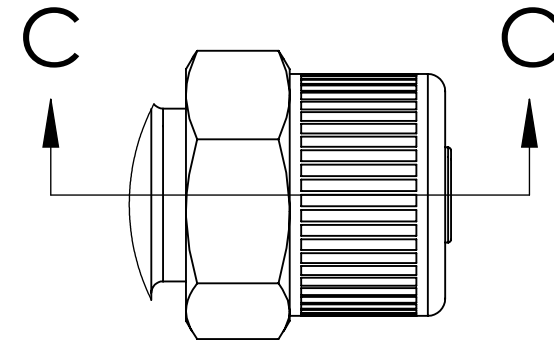
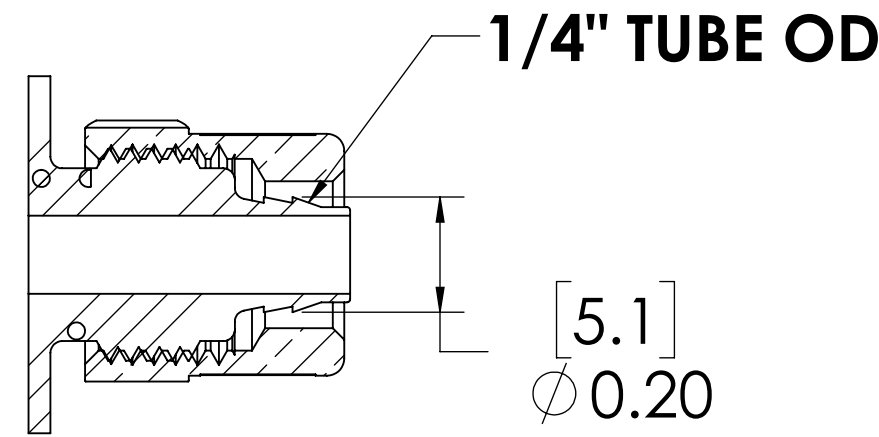


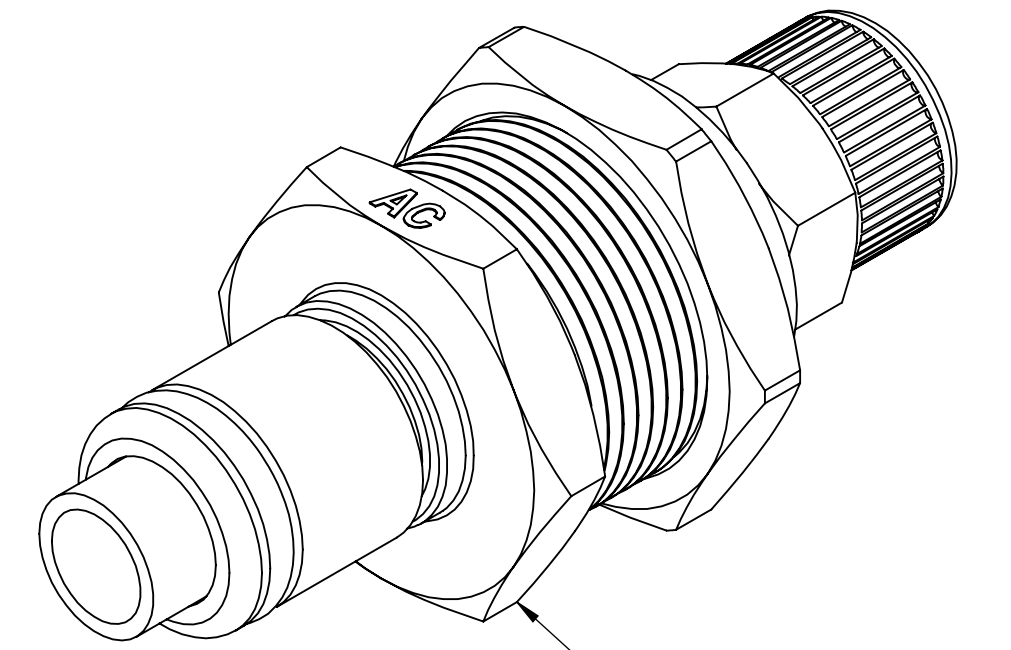
REVISIONS						
SHEET	ZONE	REV.	ECO	DESCRIPTION	DATE	APPROVED
1	ALL	A	50253	UPDATE DWG TO CURRENT FORMAT & STANDARDS	10/12/2018	HRC



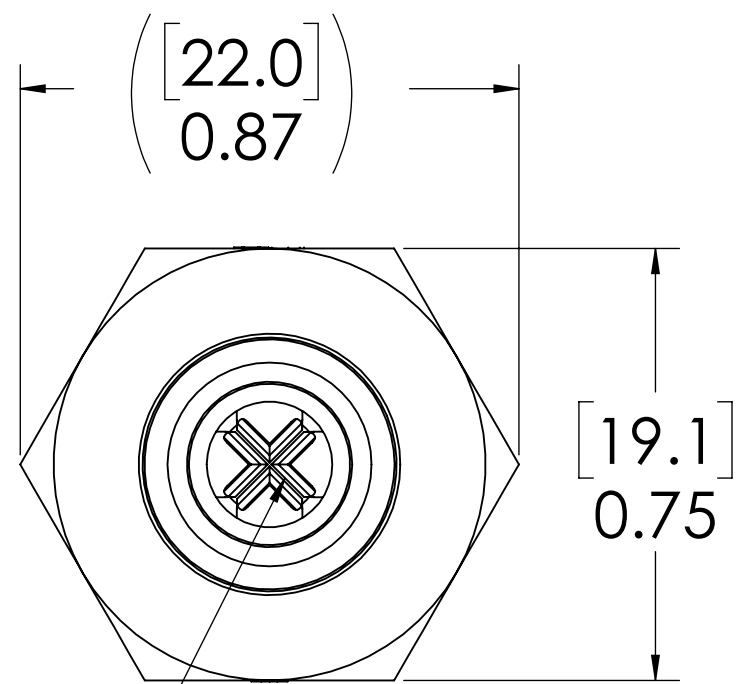
DETAIL B



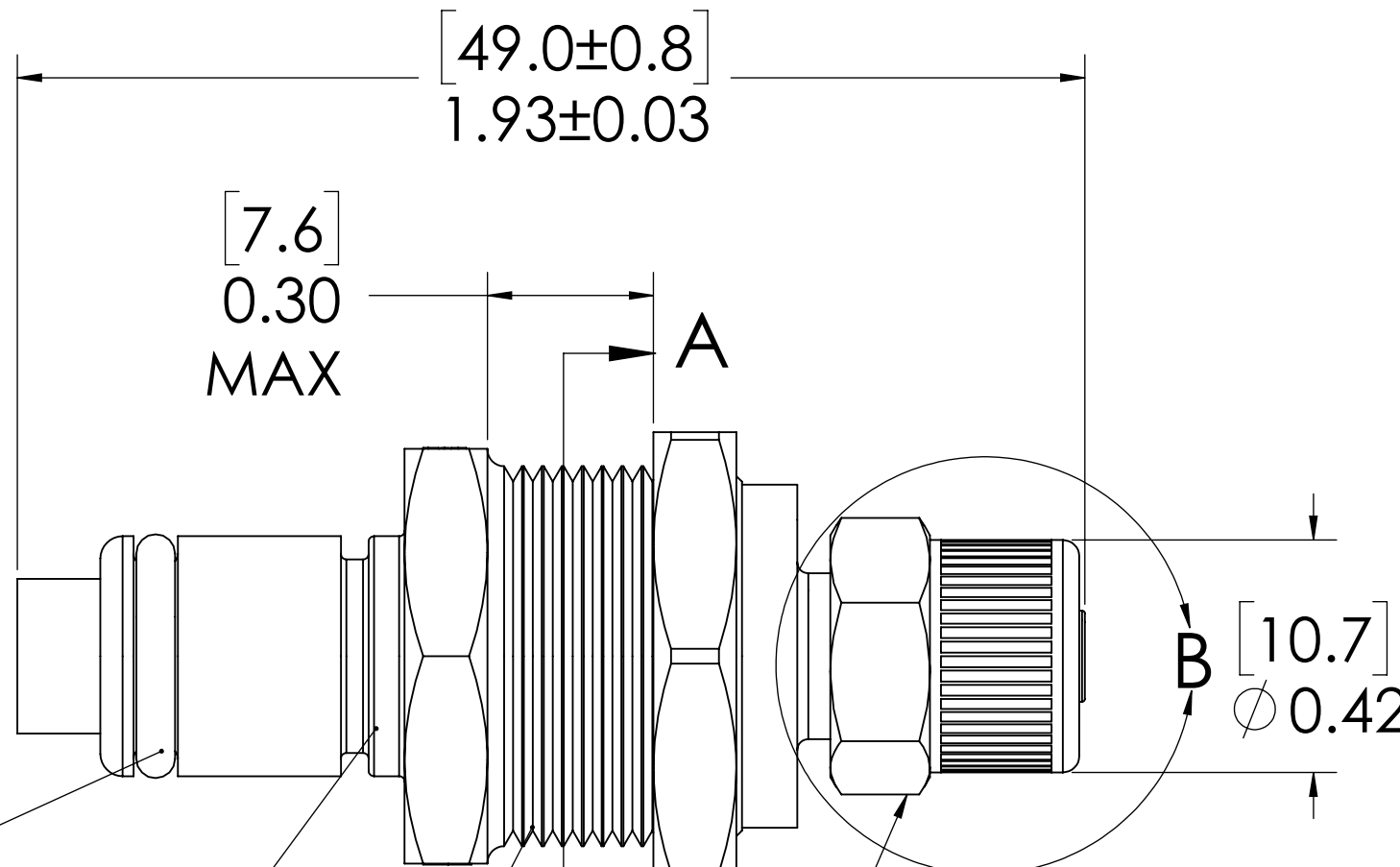
SECTION C-C



PLUG (ACETAL)



VALVE (ACETAL)

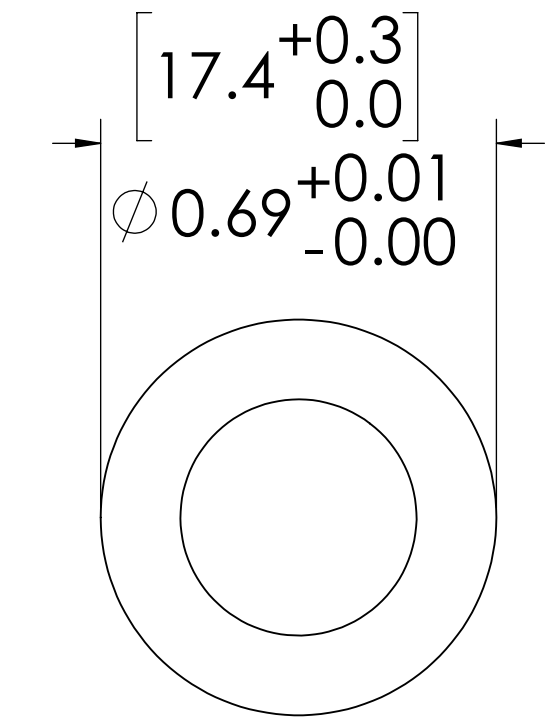


O-RING (BUNA-N)

VALVE O-RING INTERNAL (BUNA-N)

11/16"-24 UNS THREAD

PANEL & PTF NUT (BRASS, NICKEL PLATED) (PACKAGED SEPARATELY)




PANEL OPENING (SECTION A-A)

NOTES:

- MATERIAL: ACETAL
- COLOR: NATURAL WHITE
- O-RING MATERIAL: BUNA-N
- O-RINGS LUBRICATED WITH FOOD GRADE SILICONE OIL, 350 CST.

FOR REFERENCE ONLY

UNLESS OTHERWISE SPECIFIED:		NAME	DATE	 PART NO: 40ACV-PB8-04
DIMENSIONS ARE IN INCHES		DRAWN	LDM 12/4/17	
TOLERANCES:		CHECKED	HRC 12/4/17	
FRACTIONAL ± 1/32		ENG APPR.	HRC 10/12/18	
ANGULAR: MACH ± 0.5 BEND ± 2		MFG APPR.	BDB 10/12/18	
ONE PLACE DECIMAL ± 0.1		PRODUCTION	LS 10/12/18	SIZE DWG. NO. REV C 40AC400240 A
TWO PLACE DECIMAL ± 0.01		COMMENTS:		SCALE: NTS WEIGHT: SHEET 1 OF 1
THREE PLACE DECIMAL ± 0.005				
TWO PLACE DECIMAL (mm) [±0.12]				
PROPRIETARY AND CONFIDENTIAL THE INFORMATION CONTAINED IN THIS DRAWING IS THE SOLE PROPERTY OF LINKTECH LLC. ANY REPRODUCTION OR DISCLOSURE IN PART OR AS A WHOLE WITHOUT THE WRITTEN PERMISSION OF LINKTECH LLC IS STRICTLY PROHIBITED.				