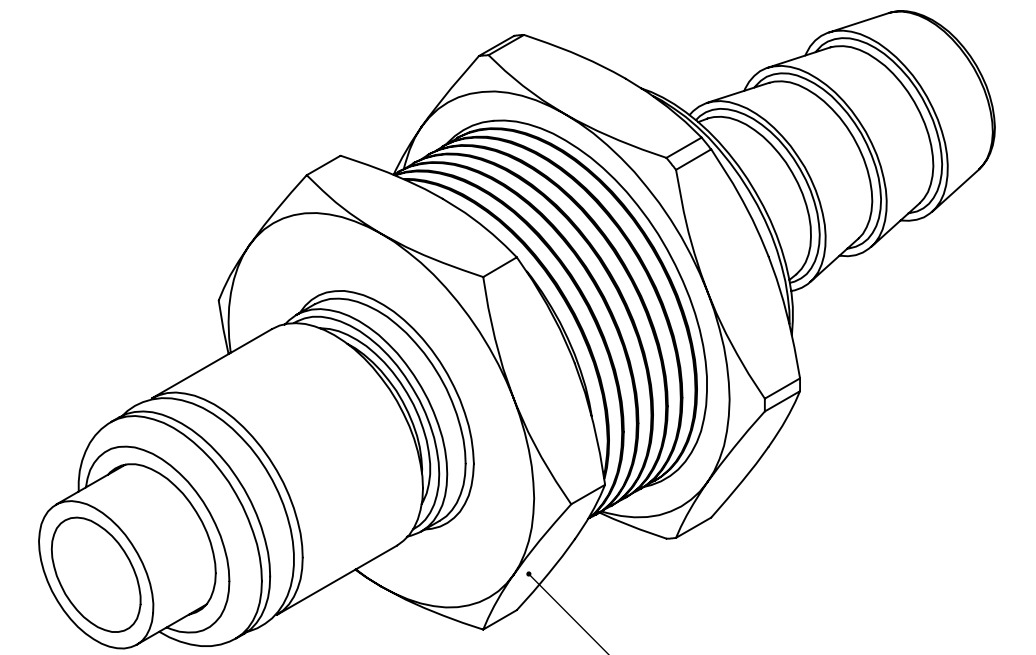
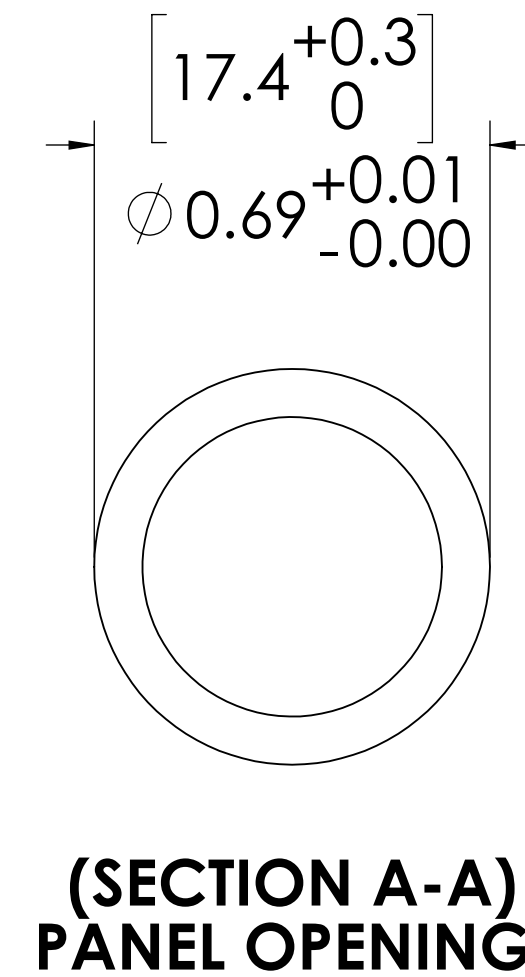
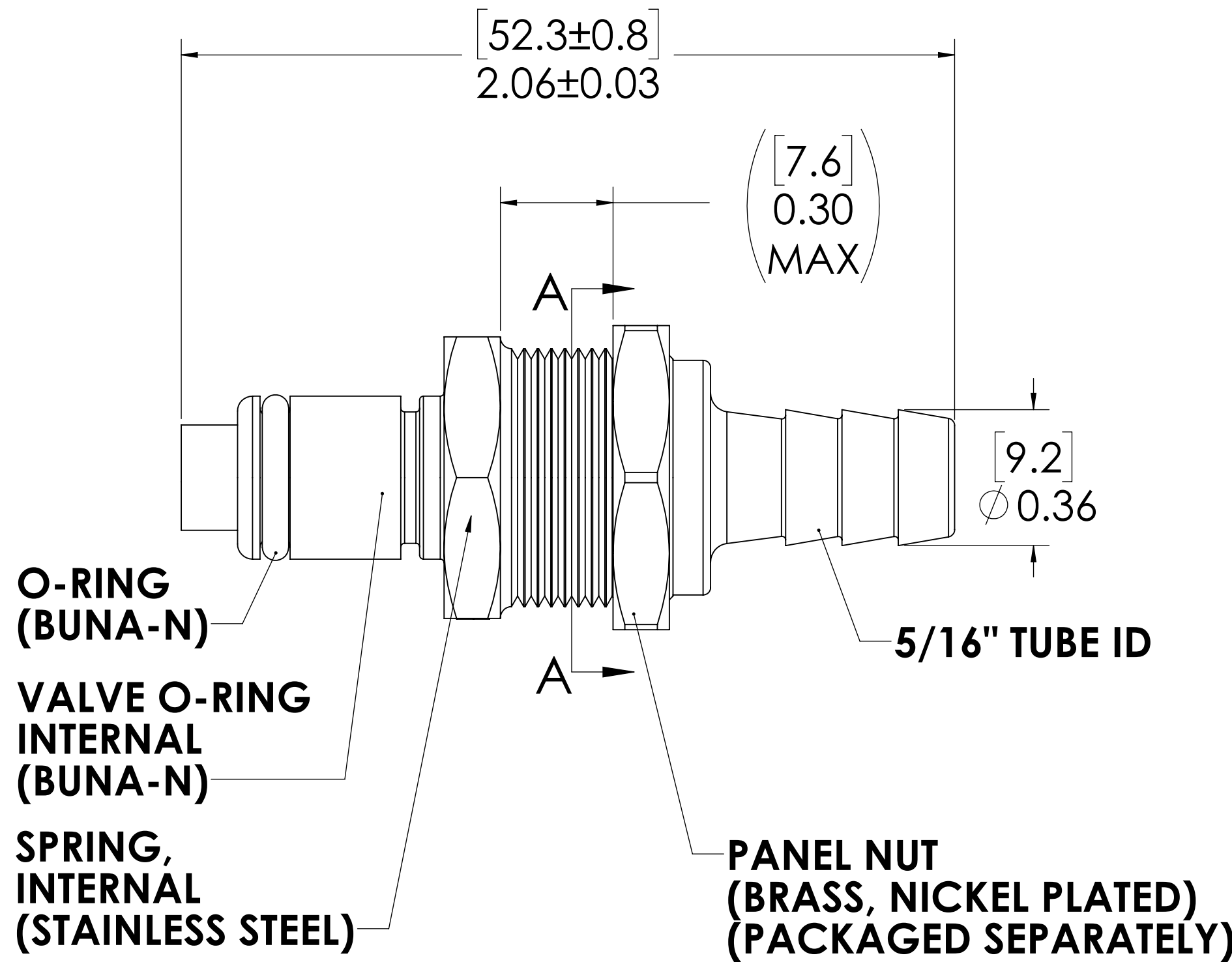
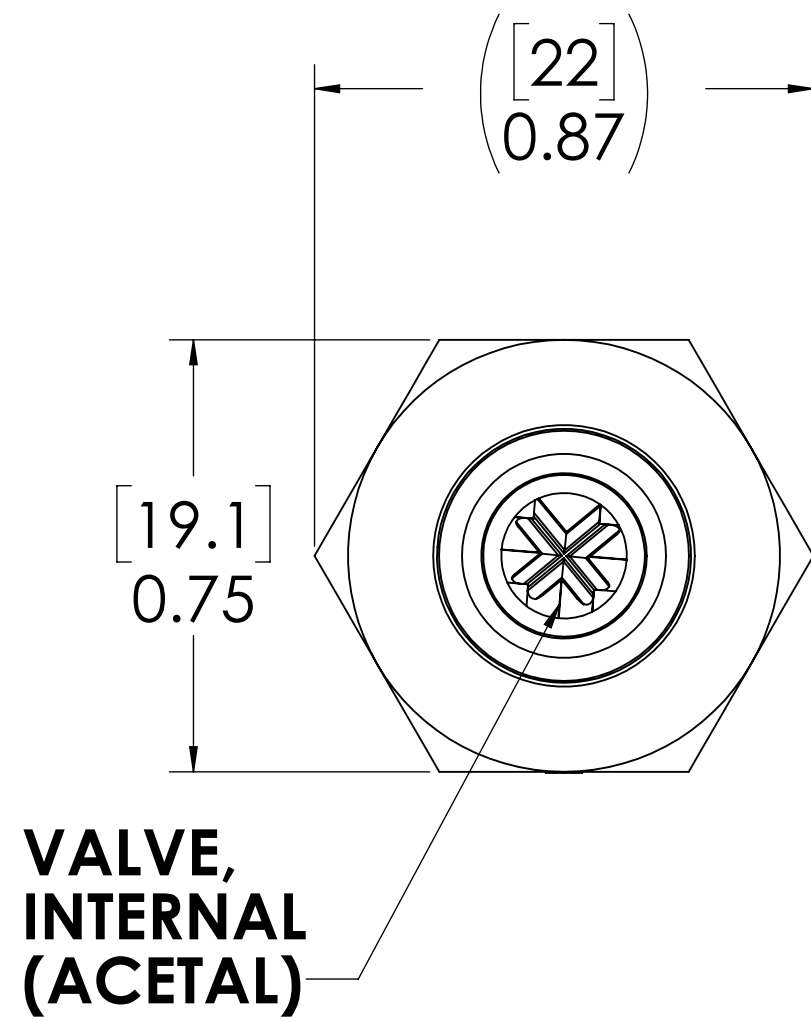


REVISIONS						
SHEET	ZONE	REV.	ECO	DESCRIPTION	DATE	APPROVED
1	ALL	A	50253	DRAWING RELEASE	7/27/2018	HRC



**PLUG BODY
(ACETAL)**



NOTES:

- MATERIAL: ACETAL
- COLOR: NATURAL WHITE
- O-RING MATERIAL: BUNA-N
- O-RINGS LUBRICATED WITH FOOD GRADE SILICONE OIL, 350 CST.

FOR REFERENCE ONLY

UNLESS OTHERWISE SPECIFIED:		NAME	DATE	
DIMENSIONS ARE IN INCHES TOLERANCES: FRACTIONAL ± 1/32 ANGULAR: MACH ± 0.5 BEND ± 2 ONE PLACE DECIMAL ± 0.1 TWO PLACE DECIMAL ± 0.01 THREE PLACE DECIMAL ± 0.005 TWO PLACE DUAL (mm) [± 0.12]		DRAWN	RDA 1/26/18	
		CHECKED	HRC 1/26/18	
		ENG APPR.	HRC 7/27/18	
		MFG APPR.	BDB 7/27/18	
PROPRIETARY AND CONFIDENTIAL		PRDUCTION	LS 7/27/18	DESCRIPTION: LinkTech 40AC Series Panel Mt. Male, Valved, 5/16" HB, Natural Acetal
THE INFORMATION CONTAINED IN THIS DRAWING IS THE SOLE PROPERTY OF LINKTECH LLC. ANY REPRODUCTION OR DISCLOSURE IN PART OR AS A WHOLE WITHOUT THE WRITTEN PERMISSION OF LINKTECH LLC IS STRICTLY PROHIBITED.		COMMENTS:		
SIZE	DWG. NO.	REV		
C	40AC400262	A		
SCALE: NTS	WEIGHT:			SHEET 1 OF 1