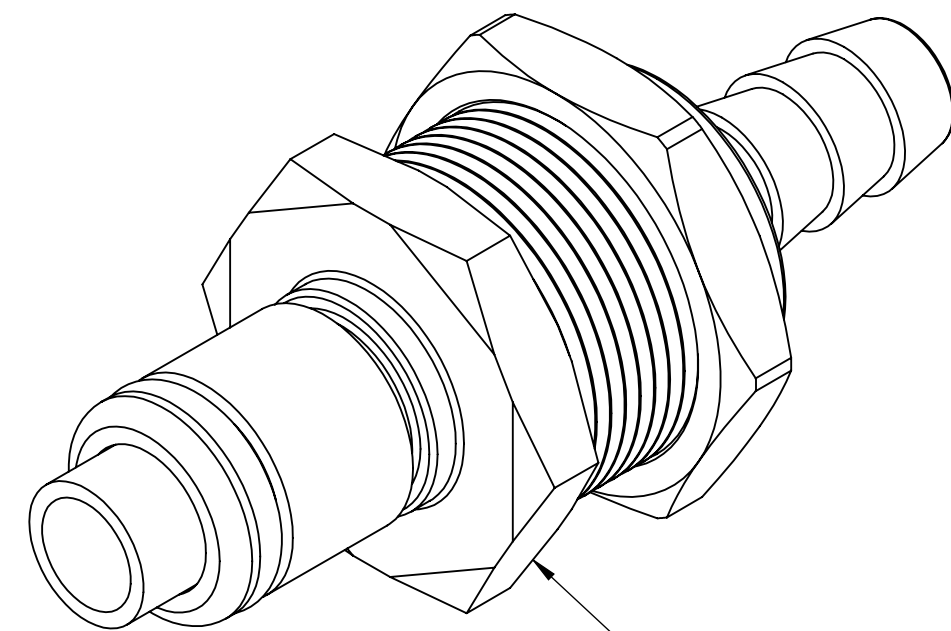
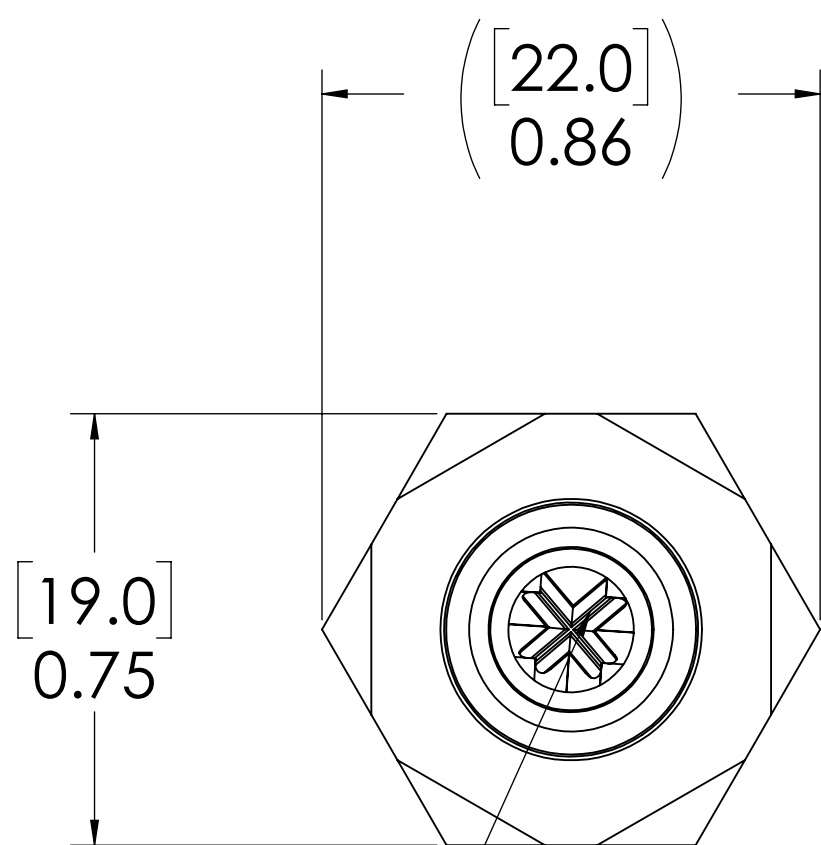


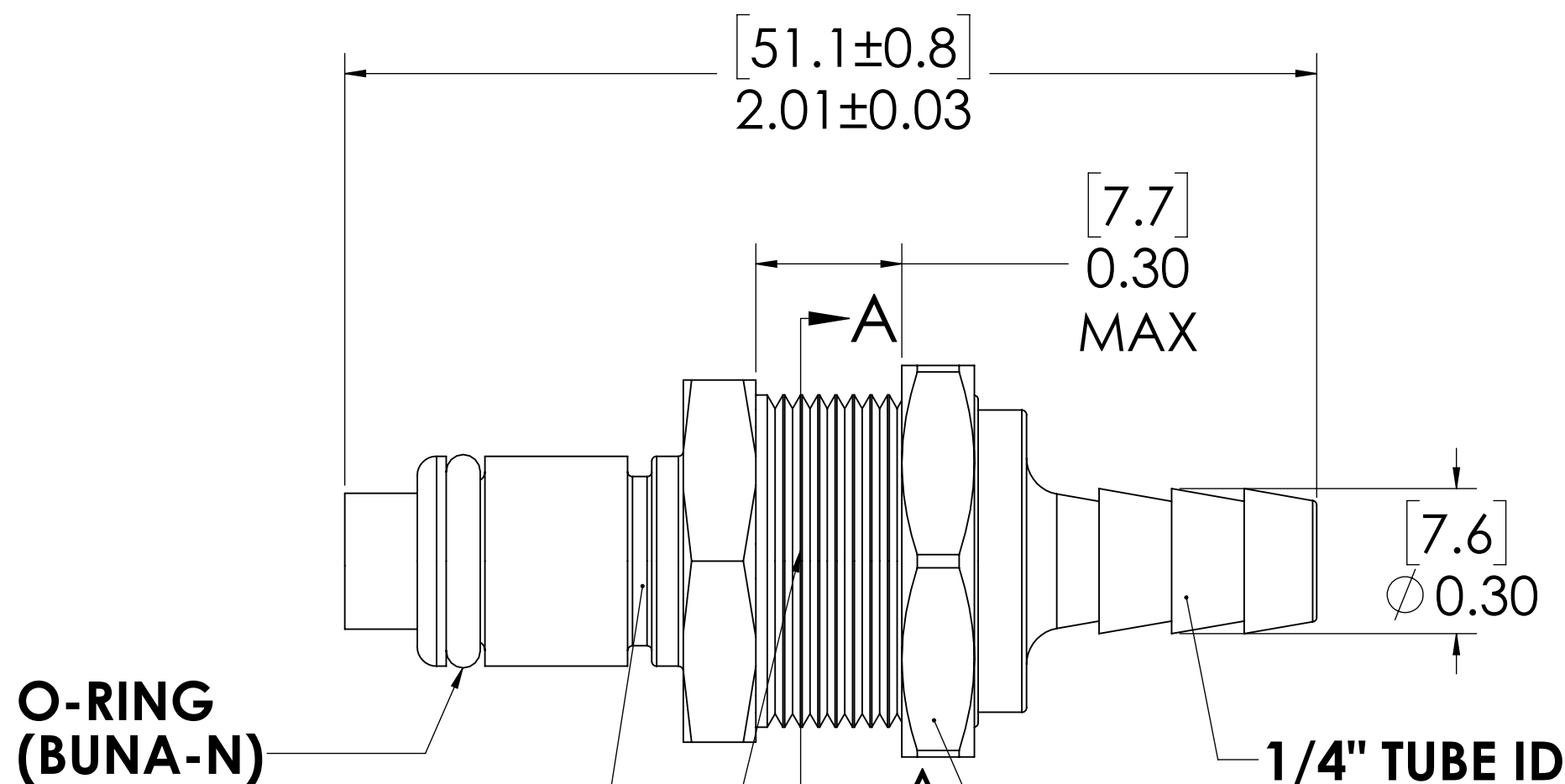
REVISIONS						
SHEET	ZONE	REV.	ECO	DESCRIPTION	DATE	APPROVED
1	ALL	A	50238	ADDED SPRING STOP & FORMAT UPDATE	4/28/2017	HRC
1	ALL	B	50253	UPDATE DWG TO CURRENT FORMAT & STANDARDS	10/4/2018	HRC



**PLUB BODY  
(ACETAL)**



**VALVE  
INTERNAL  
(ACETAL)**

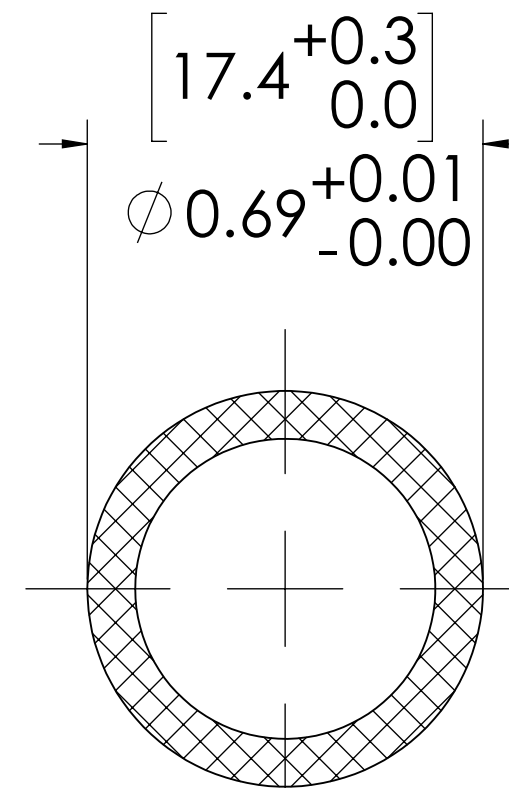


**O-RING  
(BUNA-N)**

**VALVE O-RING  
INTERNAL  
(BUNA-N)**

**SPRING  
INTERANAL  
(STAINLESS STEEL)**

**PANEL NUT  
(BRASS, NICKEL PLATED)  
(PACKAGED SEPARATELY)**



**PANEL OPENING  
SECTION A-A**

**NOTES:**

- MATERIAL: ACETAL
- COLOR: NATURAL WHITE
- O-RING MATERIAL: BUNA-N
- O-RINGS LUBRICATED WITH FOOD GRADE SILICONE OIL, 350 CST.

**FOR REFERENCE ONLY**

<small>UNLESS OTHERWISE SPECIFIED: DIMENSIONS ARE IN INCHES TOLERANCES: FRACTIONAL ± 1/32 ANGULAR: MACH ± 0.5 BEND ± 2 ONE PLACE DECIMAL ± 0.1 TWO PLACE DECIMAL ± 0.01 THREE PLACE DECIMAL ± 0.005 TWO PLACE DUAL (mm) [± 0.12]</small>	DRAWN	<b>LDM</b>	<b>1-2-17</b>	
	CHECKED	<b>HRC</b>	<b>1-2-17</b>	
	ENG APPR.	<b>HRC</b>	<b>10/4/18</b>	
	MFG APPR.	<b>BDB</b>	<b>10/4/18</b>	
PRODUCTION	<b>LS</b>	<b>10/4/18</b>		
<small>PROPRIETARY AND CONFIDENTIAL THE INFORMATION CONTAINED IN THIS DRAWING IS THE SOLE PROPERTY OF LINKTECH LLC. ANY REPRODUCTION OR DISCLOSURE IN PART OR AS A WHOLE WITHOUT THE WRITTEN PERMISSION OF LINKTECH LLC IS STRICTLY PROHIBITED.</small>				
PART NO: <b>40ACV-PB3-04</b>				DESCRIPTION: <b>LinkTech 40AC Series Panel Mt. Male, Valved, 1/4" HB, Natural Acetal</b>
SIZE	DWG. NO.	REV		
<b>C</b>	<b>40AC400190</b>	<b>B</b>		
SCALE: NTS		WEIGHT:	SHEET 1 OF 1	