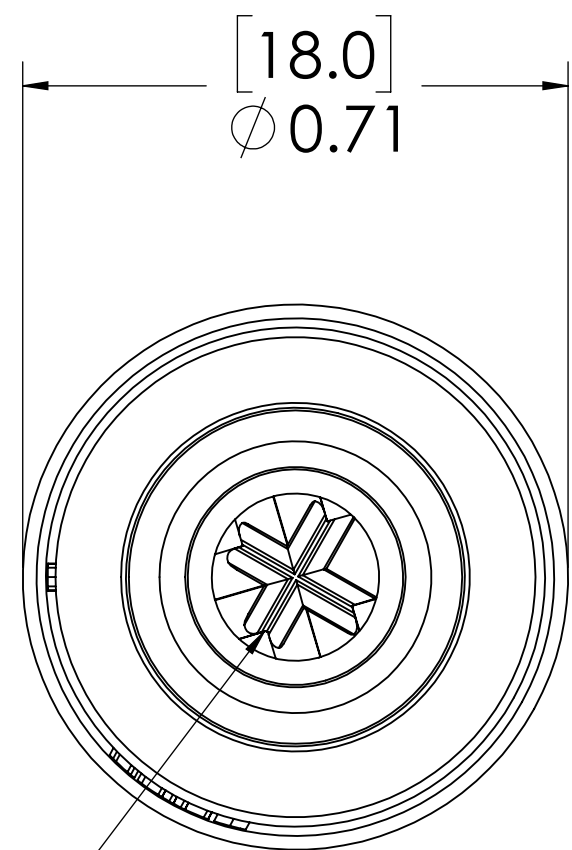
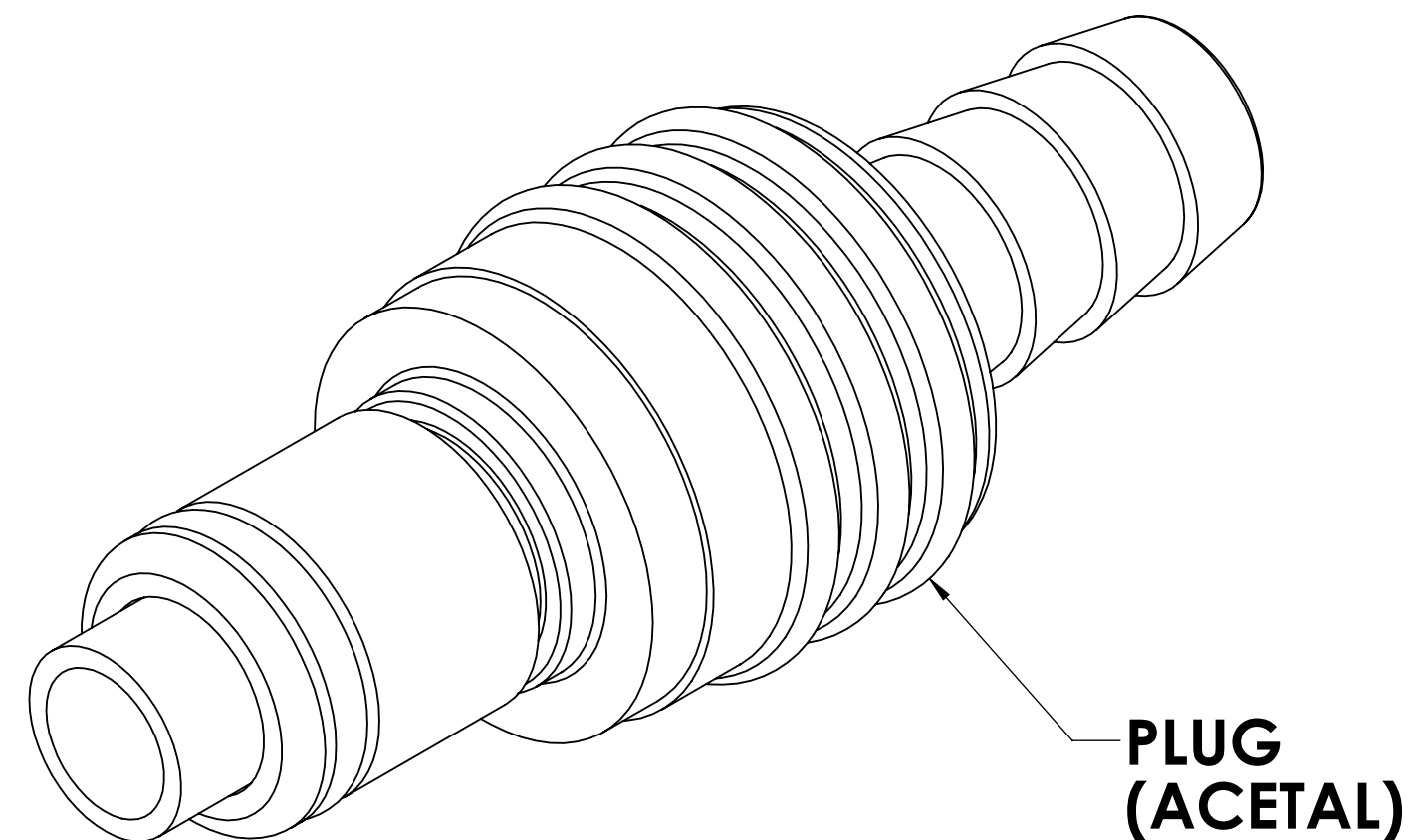
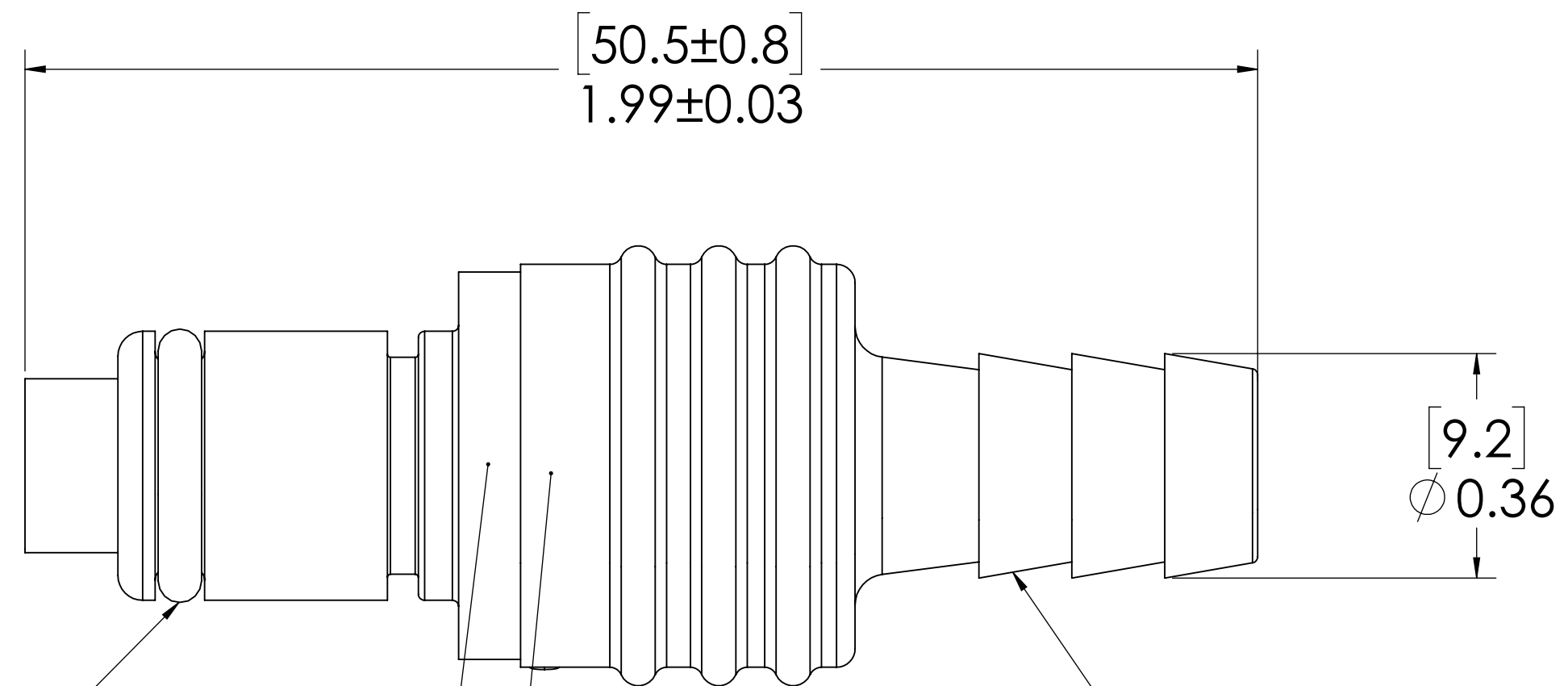


| REVISIONS |      |      |       |  |           |          |
|-----------|------|------|-------|--|-----------|----------|
| SHEET     | ZONE | REV. | ECO   | DESCRIPTION                              | DATE      | APPROVED |
| 1         | ALL  | A    | 50253 | UPDATE DWG TO CURRENT FORMAT & STANDARDS | 10/4/2018 | HRC      |



**VALVE (ACETAL)**



**O-RING (BUNA-N)**

**VALVE O-RING INTERNAL (BUNA-N)**

**VALVE SPRING INTERNAL (STAINLESS STEEL)**

**5/16" TUBE ID**

**NOTES:**

1. MATERIAL: ACETAL
2. COLOR: NATURAL WHITE
3. O-RING MATERIAL: BUNA-N
4. O-RINGS LUBRICATED WITH FOOD GRADE SILICONE OIL, 350 CST.

**FOR REFERENCE ONLY**

|   |            |         |          |  |
|---|------------|---------|----------|--|
| <small>UNLESS OTHERWISE SPECIFIED:<br/>DIMENSIONS ARE IN INCHES<br/>TOLERANCES:<br/>FRACTIONAL ± 1/32<br/>ANGULAR: MACH ± 0.5 BEND ± 2<br/>ONE PLACE DECIMAL ± 0.1<br/>TWO PLACE DECIMAL ± 0.01<br/>THREE PLACE DECIMAL ± 0.005<br/>TWO PLACE DUAL (mm) [±0.12]</small> | DRAWN      | MMJ     | 12/20/17 |  |
|   | CHECKED    | HRC     | 12-20-17 |  |
|   | ENG APPR.  | HRC     | 10/4/18  |  |
|   | MFG APPR.  | BDB     | 10/4/18  |  |
| PRODUCTION  | LS         | 10/4/18 |          | <b>PART NO: 40ACV-PB2-05</b><br><b>DESCRIPTION: LinkTech 40AC Series Straight Male, Valved, 5/16" HB, Natural Acetal</b> |
| <small>PROPRIETARY AND CONFIDENTIAL<br/>THE INFORMATION CONTAINED IN THIS DRAWING IS THE SOLE PROPERTY OF LINKTECH LLC. ANY REPRODUCTION OR DISCLOSURE IN PART OR AS A WHOLE WITHOUT THE WRITTEN PERMISSION OF LINKTECH LLC IS STRICTLY PROHIBITED.</small>             | COMMENTS:  |         |          | <b>SIZE DWG. NO. REV</b><br><b>C 40AC400237 A</b>  |
|   | SCALE: NTS |         | WEIGHT:  | SHEET 1 OF 1   |