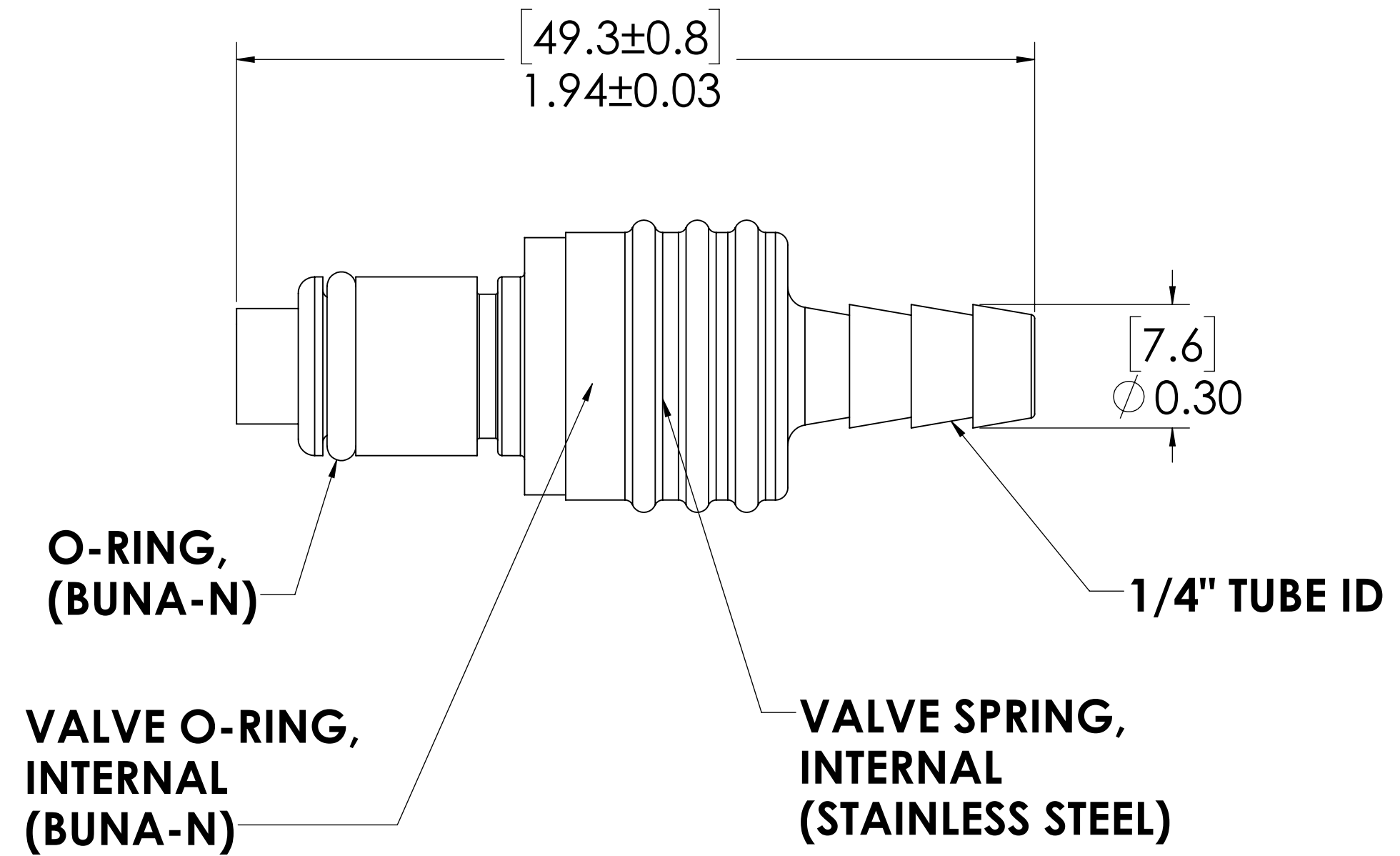
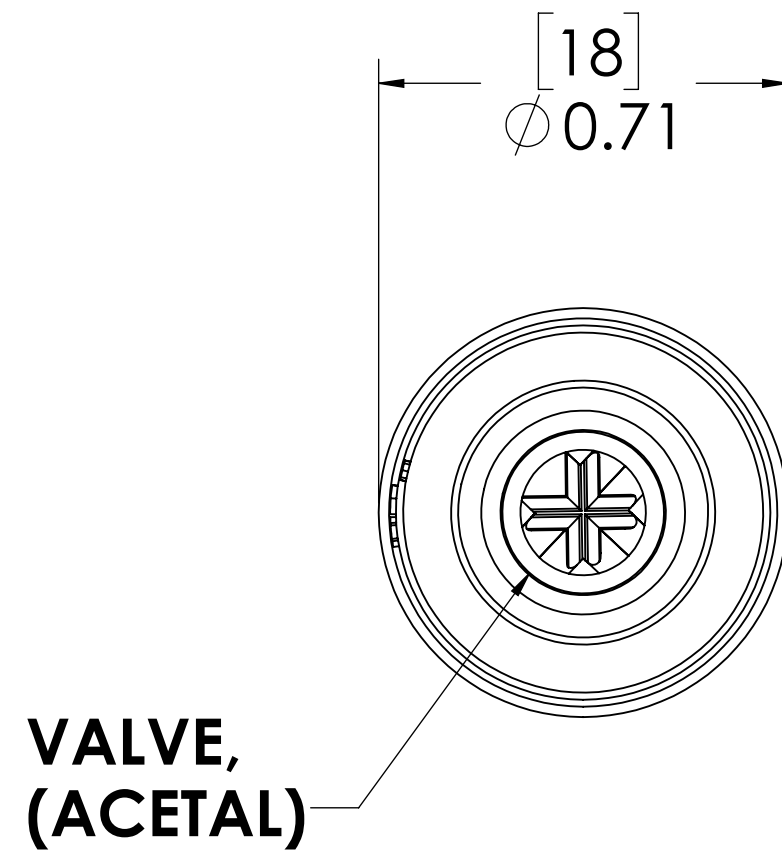
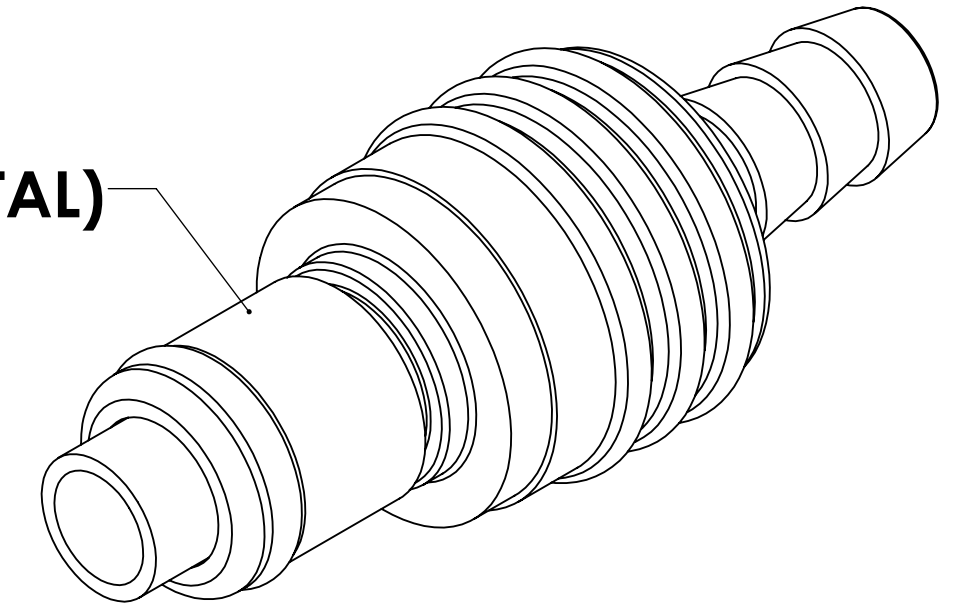


REVISIONS						
SHEET	ZONE	REV.	ECO	DESCRIPTION	DATE	APPROVED
1	ALL	A	50251	RE-RELEASE	6/27/2017	HRC
1	ALL	B	50253	UPDATE DWG TO CURRENT FORMAT & STANDARDS	5/15/2018	HRC

**PLUG,
(ACETAL)**



NOTES:

- MATERIAL: ACETAL
- COLOR: NATURAL WHITE
- O-RING MATERIAL: BUNA-N
- O-RINGS LUBRICATED WITH FOOD GRADE SILICONE OIL, 350 CST.

FOR REFERENCE ONLY

<small>UNLESS OTHERWISE SPECIFIED: DIMENSIONS ARE IN INCHES TOLERANCES: FRACTIONAL ±1/32 ANGULAR: MACH ±0.5 BEND ±2 ONE PLACE DECIMAL ±0.1 TWO PLACE DECIMAL ±0.01 THREE PLACE DECIMAL ±0.005 TWO PLACE DUAL (mm) [±0.12]</small>	DRAWN	ER	07-27-17	
	CHECKED	XXX	XXX	
	ENG APPR.	XXX	XXX	
	MFG APPR.	XXX	XXX	
<small>PROPRIETARY AND CONFIDENTIAL THE INFORMATION CONTAINED IN THIS DRAWING IS THE SOLE PROPERTY OF LINKTECH LLC. ANY REPRODUCTION OR DISCLOSURE IN PART OR AS A WHOLE WITHOUT THE WRITTEN PERMISSION OF LINKTECH LLC IS STRICTLY PROHIBITED.</small>	Q.A.	XXX	XXX	PART NO: 40ACV-PB2-04 DESCRIPTION: LinkTech 40AC Series Straight Male, Valved, 1/4" HB, Natural Acetal
<small>SIZE DWG. NO. REV</small> C 40AC400200 B		<small>SCALE: NTS WEIGHT: SHEET 1 OF 1</small>		