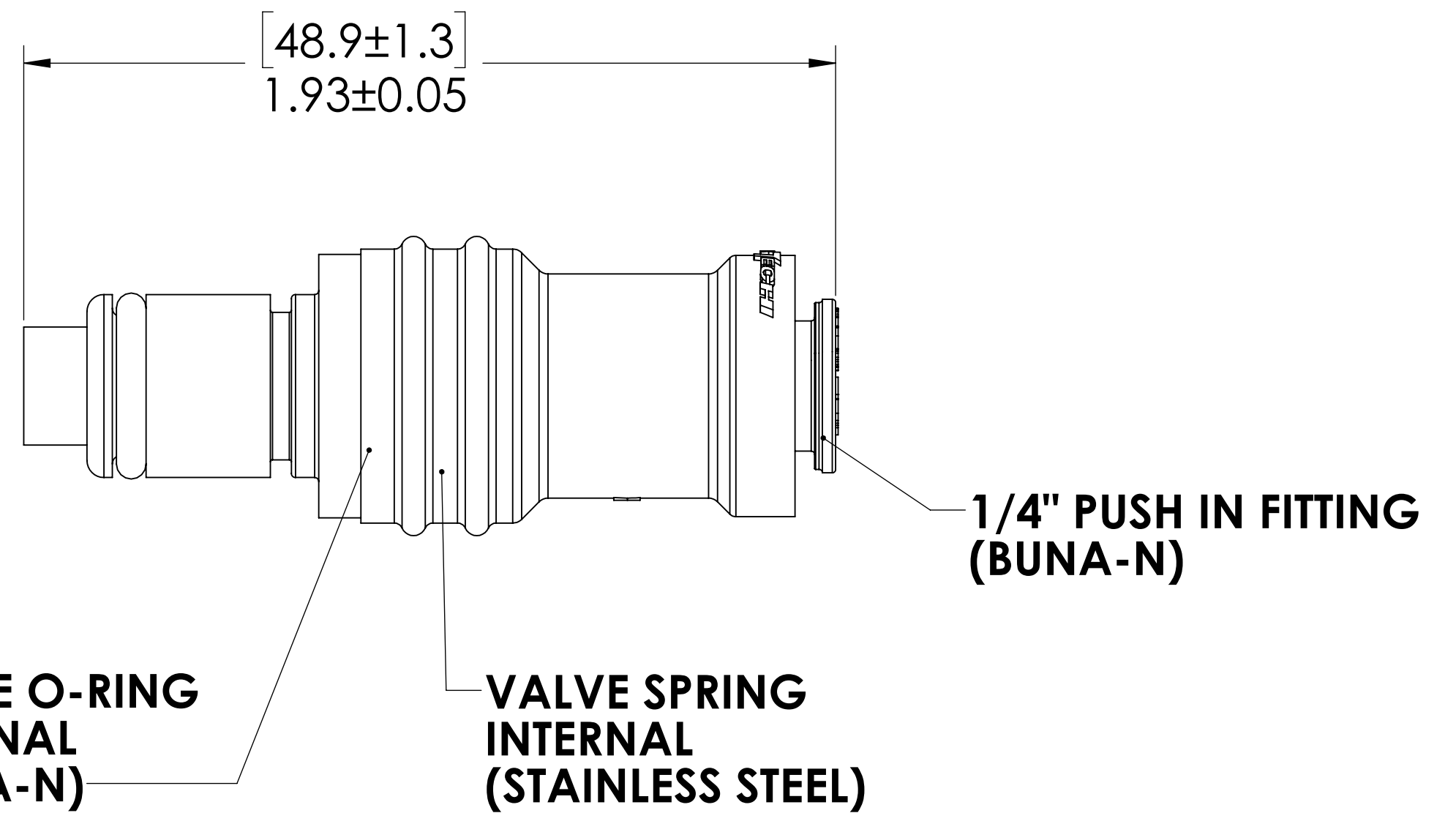
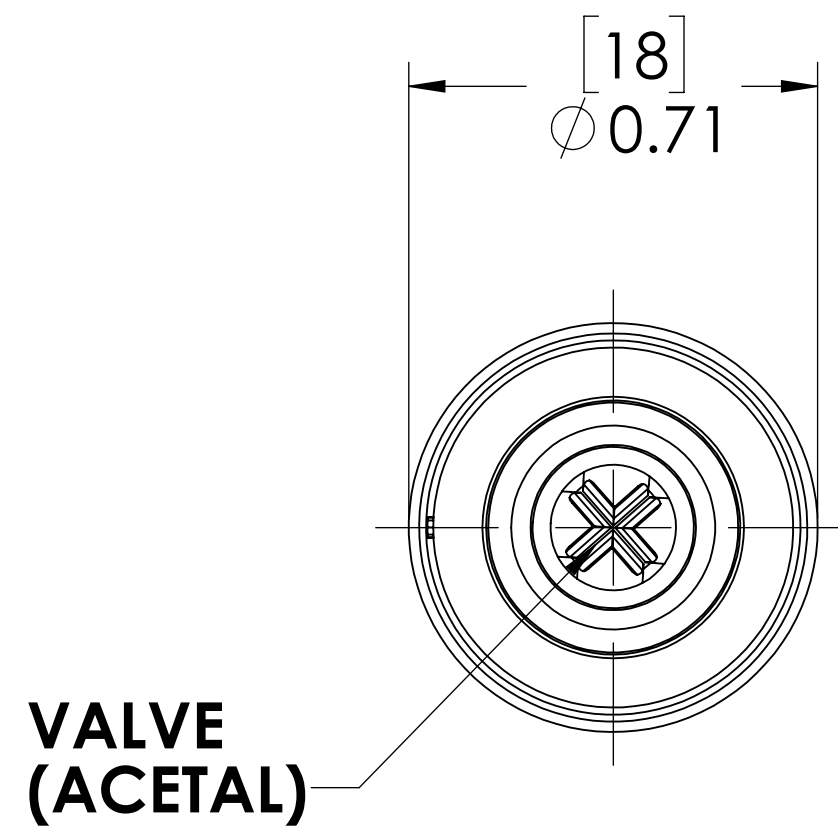
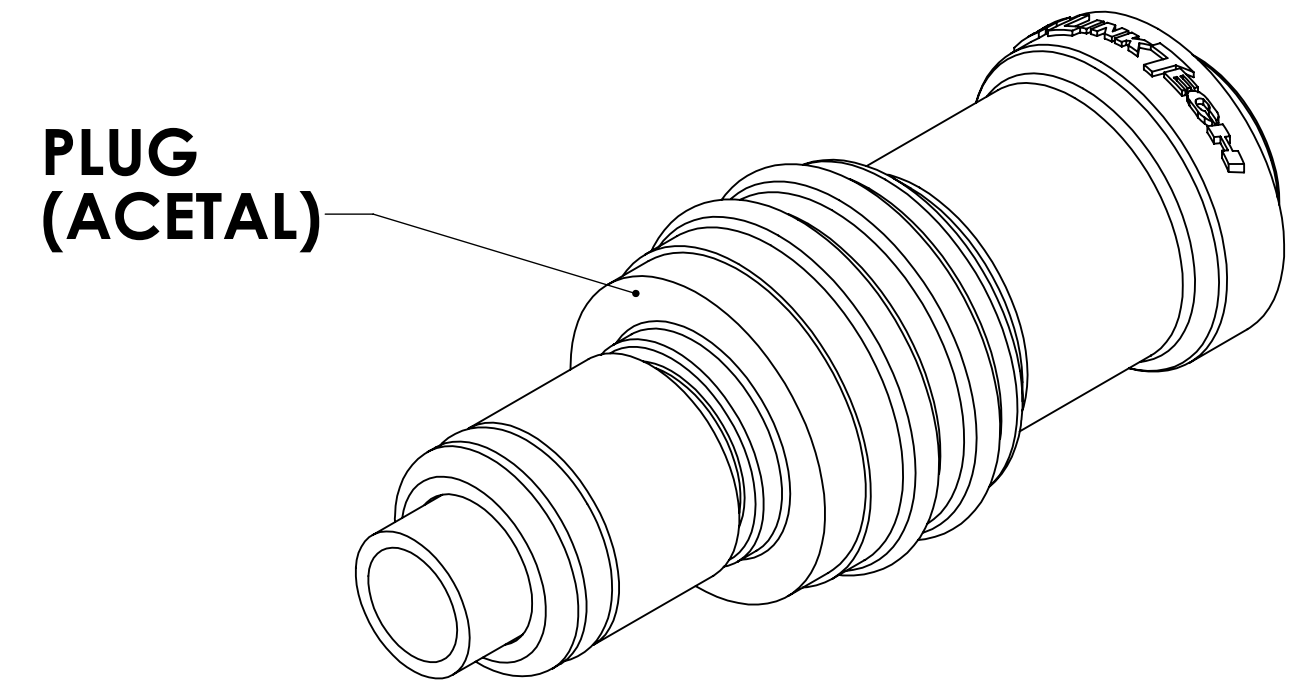


REVISIONS						
SHEET	ZONE	REV.	ECO	DESCRIPTION	DATE	APPROVED
ALL	ALL	D	50309	FORMAT UPDATE	12/6/2019	HRC



- NOTES:**
- MATERIAL: ACETAL
  - COLOR: NATURAL WHITE
  - O-RING LUBRICATED WITH DOW CORNING 200 FOOD GRADE SILICONE OIL.

**FOR REFERENCE ONLY**

<small>UNLESS OTHERWISE SPECIFIED: DIMENSIONS ARE IN INCHES TOLERANCES: FRACTIONAL ±1/32 ANGULAR, MACH ±0.5 BEND ±2 ONE PLACE DECIMAL ±0.1 TWO PLACE DECIMAL ±0.01 THREE PLACE DECIMAL ±0.005 TWO PLACE DUAL (mm) [±0.12]</small>	DRAWN	DHJ	4/30/2012	
	CHECKED	DHJ	7/11/2012	
	ENG APPR.	HRC	7/11/2012	
	MFG APPR.	BDB	7/11/2012	
<small>PROPRIETARY AND CONFIDENTIAL THE INFORMATION CONTAINED IN THIS DRAWING IS THE SOLE PROPERTY OF LINKTECH LLC. ANY REPRODUCTION OR DISCLOSURE IN PART OR AS A WHOLE WITHOUT THE WRITTEN PERMISSION OF LINKTECH LLC IS STRICTLY PROHIBITED.</small>	Q.A.	JJB	7/11/2012	<b>PART NO: 40ACV-PB17-04</b> <b>DESCRIPTION:</b> <b>LinkTech 40AC Series Straight Male, Valved, 1/4" O.D. Push-In, Natural Acetal</b>
<small>SCALE: NTS WEIGHT:</small>		<b>SIZE DWG. NO. REV</b> <b>C 40AC400083 D</b>	<b>SHEET 1 OF 1</b>	