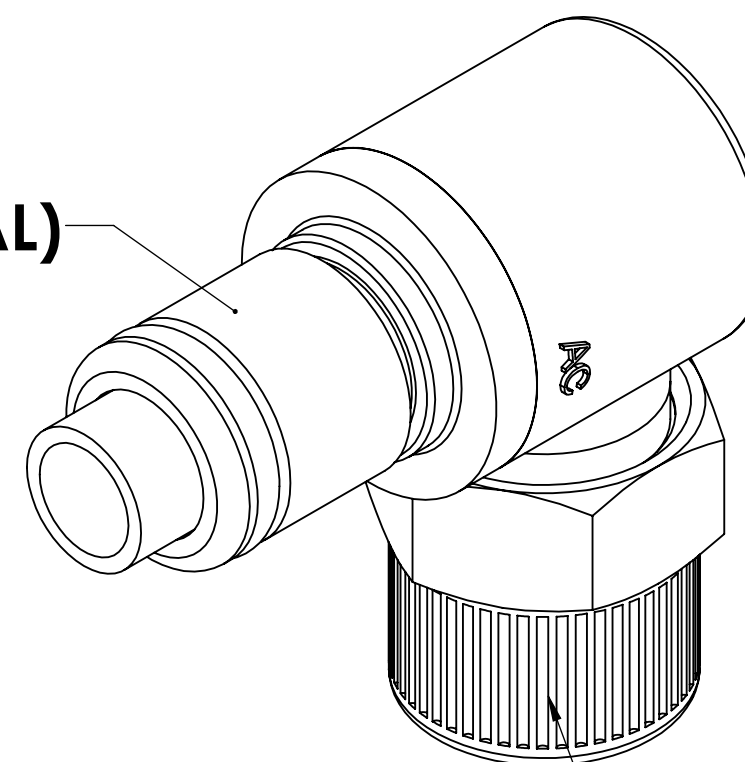
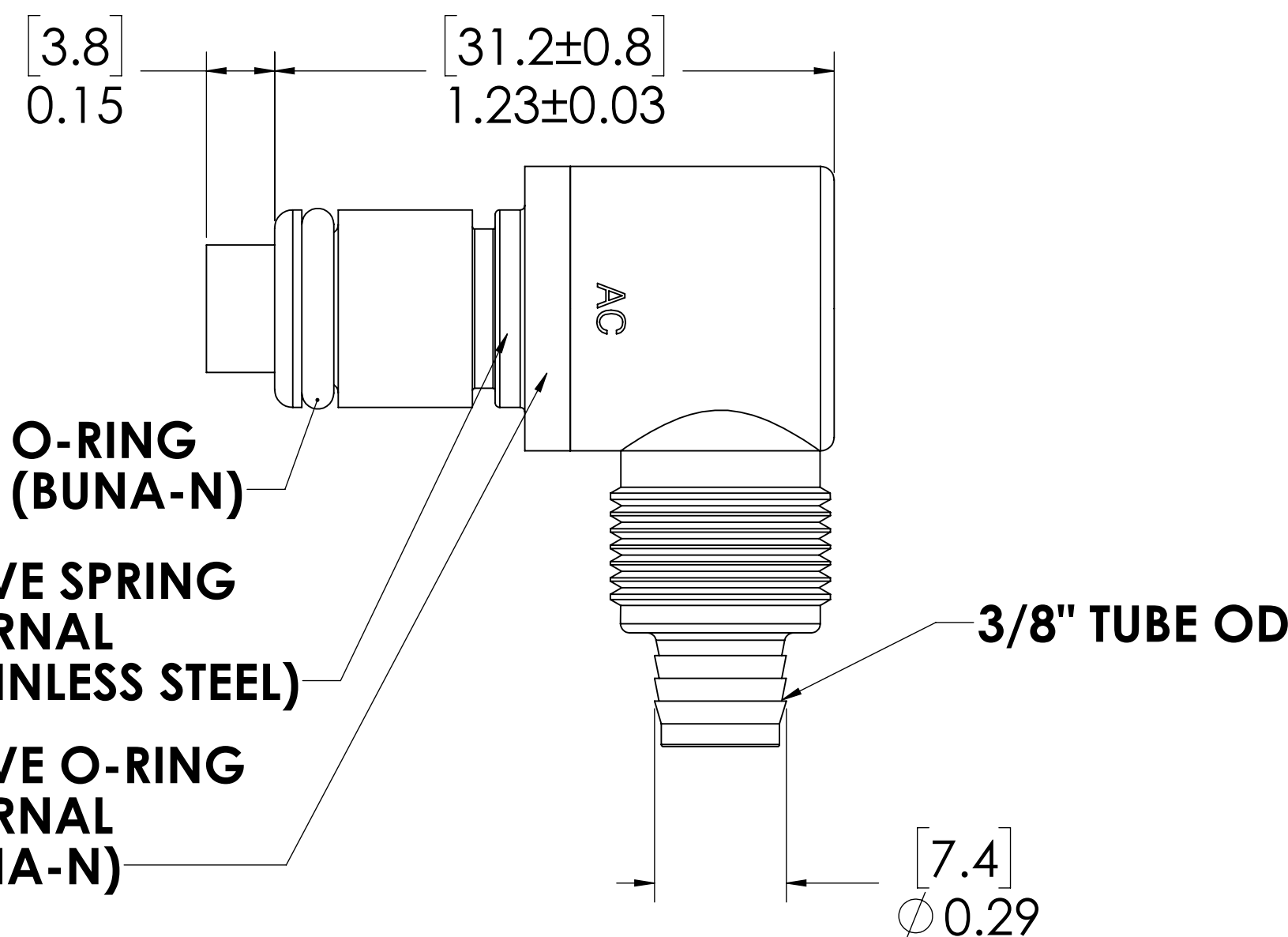
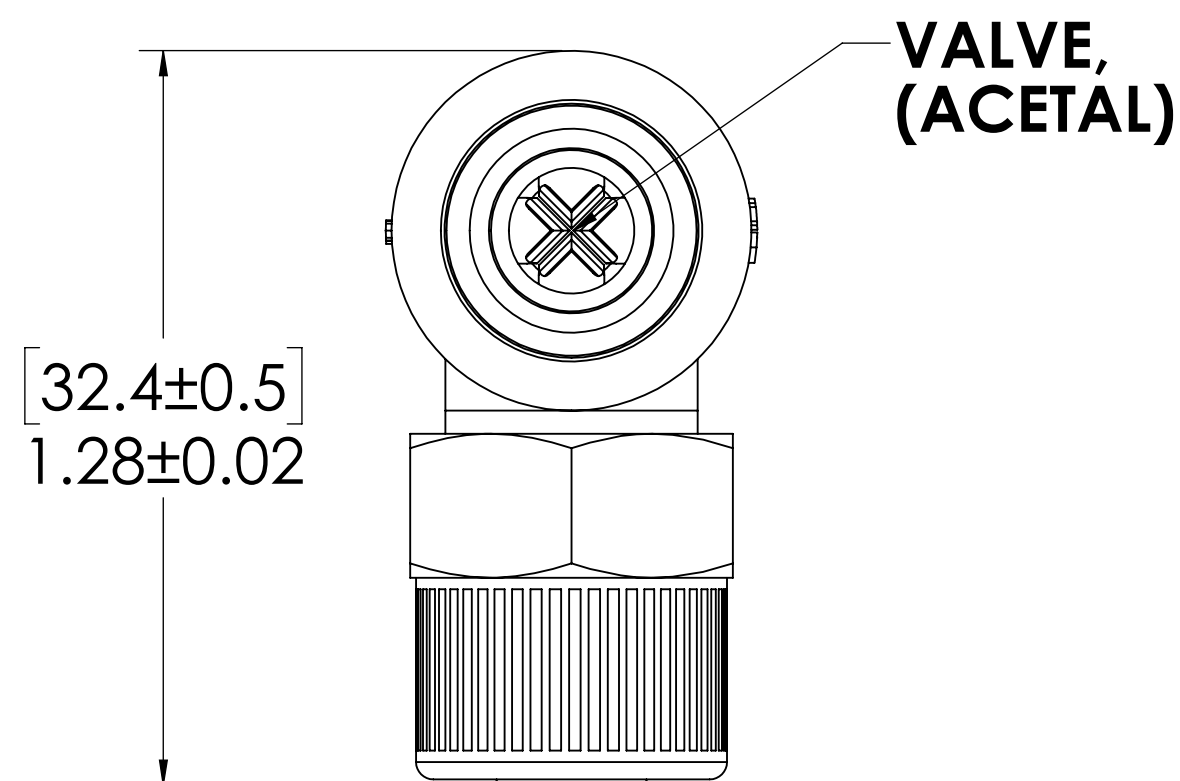


REVISIONS						
SHEET	ZONE	REV.	ECO	DESCRIPTION	DATE	APPROVED
1	ALL	A	50306	INITIAL RELEASE	9/18/2019	HRC

**PLUG,
(ACETAL)**



**PTF NUT
(BRASS, NICKEL PLATED)
(PACKAGED SEPARATELY)**



NOTES:

1. MATERIAL: ACETAL
2. COLOR: NATURAL WHITE
3. O-RING MATERIAL: BUNA-N
4. O-RINGS LUBRICATED WITH FOOD GRADE SILICONE OIL, 350 CST.

FOR REFERENCE ONLY

UNLESS OTHERWISE SPECIFIED:		NAME	DATE	LINKTECH ANALOGICAL EQUIPMENT
DIMENSIONS ARE IN INCHES TOLERANCES: FRACTIONAL ±1/32 ANGULAR: MACH ±0.5 BEND ±2 ONE PLACE DECIMAL ±0.1 TWO PLACE DECIMAL ±0.01 THREE PLACE DECIMAL ±0.005 TWO PLACE DUAL (mm) [±0.12]		DRAWN	RDA 9/6/2019	
PROPRIETARY AND CONFIDENTIAL THE INFORMATION CONTAINED IN THIS DRAWING IS THE SOLE PROPERTY OF LINKTECH LLC. ANY REPRODUCTION OR DISCLOSURE IN PART OR AS A WHOLE WITHOUT THE WRITTEN PERMISSION OF LINKTECH LLC IS STRICTLY PROHIBITED.		CHECKED	HRC 9/19/2019	
		ENG APPR.	HRC 9/19/2019	
		MFG APPR.	BDB 9/19/2019	
		Q.A.	JJB 9/19/2019	DESCRIPTION: LinkTech 40AC Series Elbow Male, Valved, 3/8" PTF, Natural Acetal
		COMMENTS:		SIZE DWG. NO. REV C 40AC400290 A
				SCALE: NTS WEIGHT: SHEET 1 OF 1