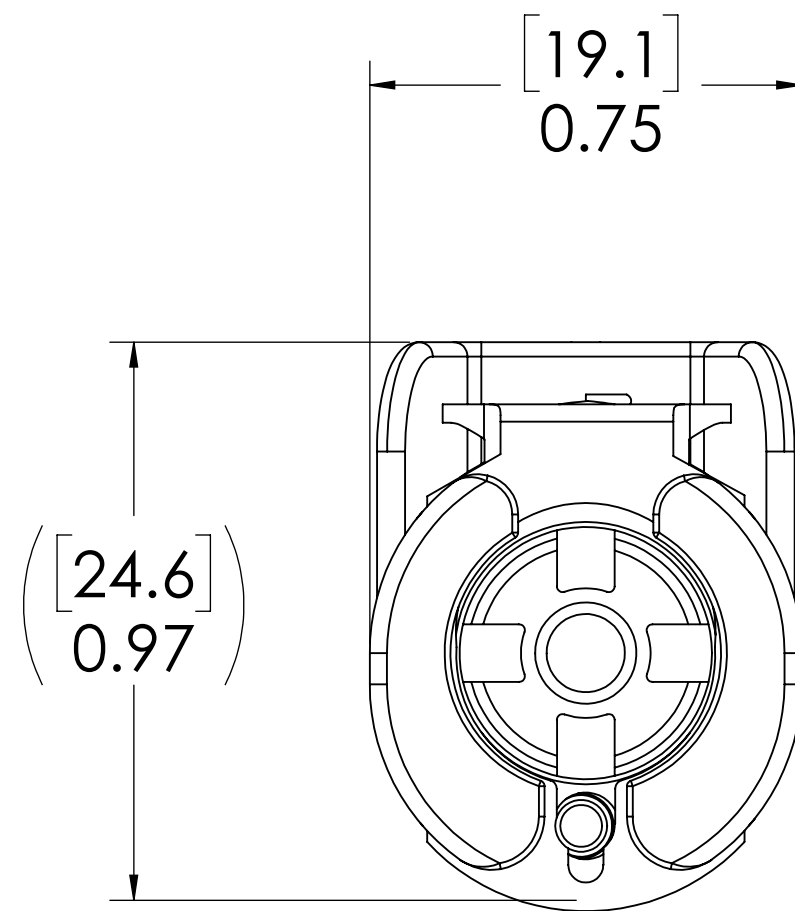
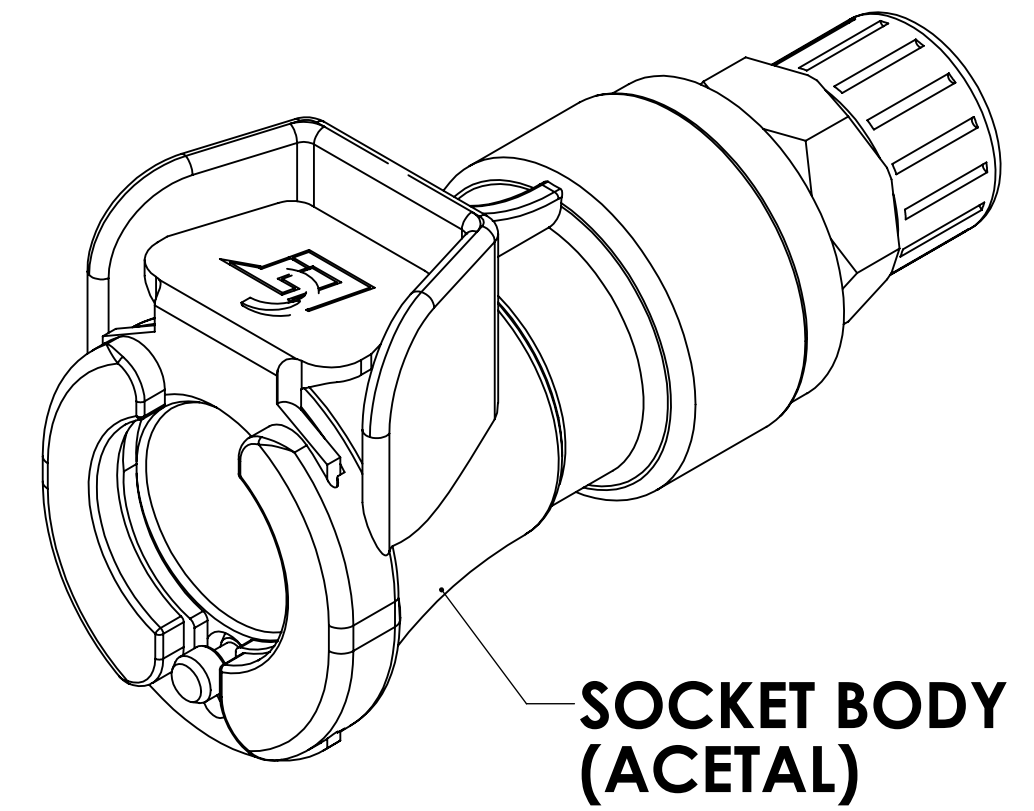
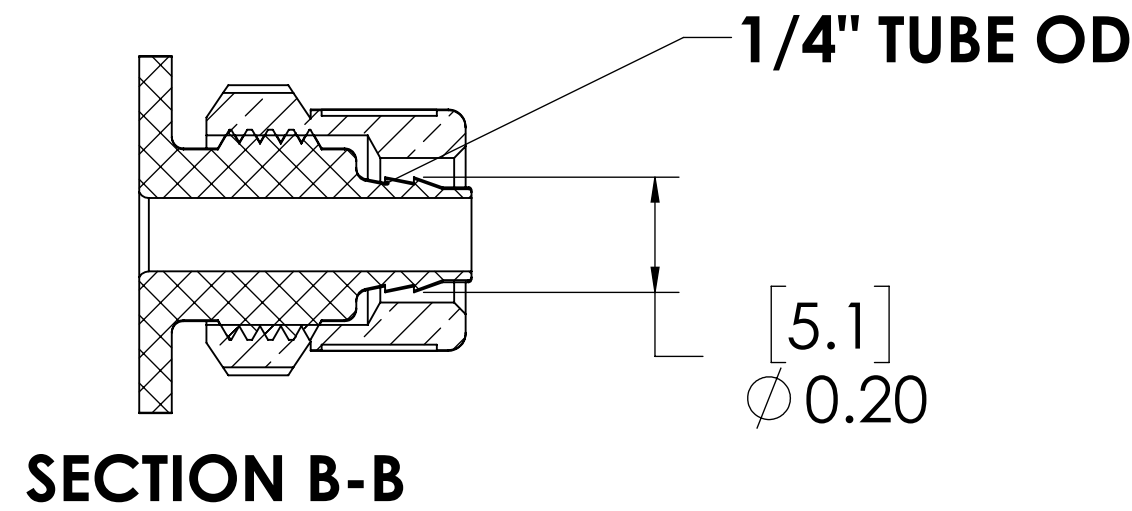
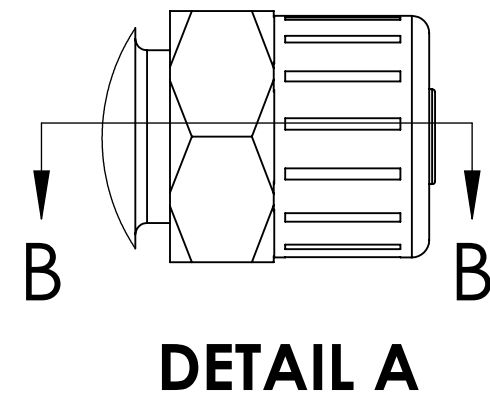
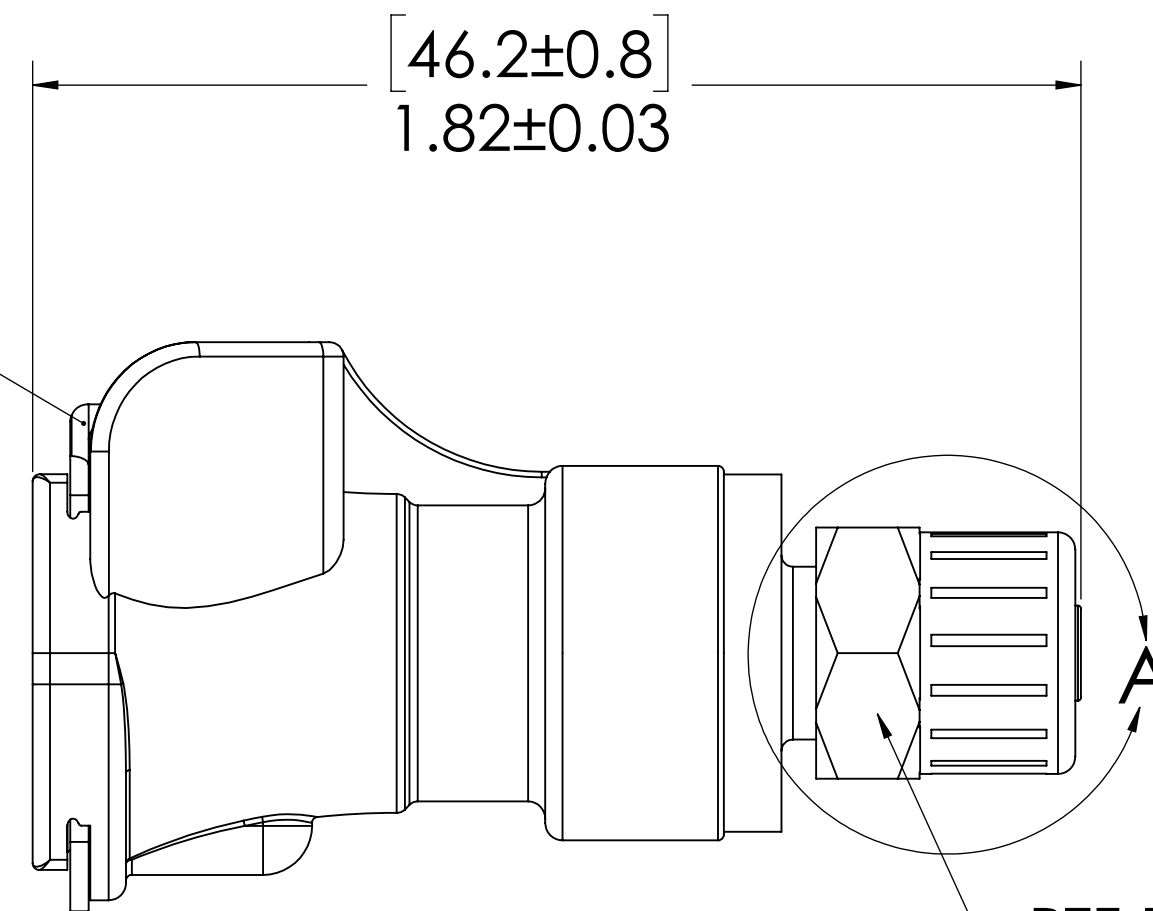


REVISIONS						
SHEET	ZONE	REV.	ECO	DESCRIPTION	DATE	APPROVED
1	ALL	A	50242	UPDATE DWG TO CURRENT FORMAT & STANDARDS	10/4/2018	HRC




LATCH HARDWARE (STAINLESS STEEL)



PTF NUT (BRASS, NICKEL PLATED) (PACKAGED SEPARATELY)

- NOTES:**
- MATERIAL: ACETAL
 - COLOR: NATURAL WHITE

FOR REFERENCE ONLY

<small>UNLESS OTHERWISE SPECIFIED: DIMENSIONS ARE IN INCHES TOLERANCES: FRACTIONAL ± 1/32 ANGULAR: MACH ± 0.5 BEND ± 2 ONE PLACE DECIMAL ± 0.1 TWO PLACE DECIMAL ± 0.01 THREE PLACE DECIMAL ± 0.005 TWO PLACE DUAL (mm) [±0.12]</small>	DRAWN	LDM	12/15/17	 PART NO: 40AC-S9-04 <small>DESCRIPTION: LinkTech 40AC Series Straight Female, Non-valved, 1/4" PTF, Natural Acetal</small>
	CHECKED	HRC	12/15/17	
	ENG APPR.	HRC	10/4/18	
	MFG APPR.	BDB	10/4/18	
<small>PROPRIETARY AND CONFIDENTIAL</small> <small>THE INFORMATION CONTAINED IN THIS DRAWING IS THE SOLE PROPERTY OF LINKTECH LLC. ANY REPRODUCTION OR DISCLOSURE IN PART OR AS A WHOLE WITHOUT THE WRITTEN PERMISSION OF LINKTECH LLC IS STRICTLY PROHIBITED.</small>	PRODUCTION	LS	10/4/18	<small>SCALE: NTS WEIGHT:</small>
<small>COMMENTS:</small>		<small>SIZE DWG. NO. REV</small> C 40AC400235 A	<small>SHEET 1 OF 1</small>	