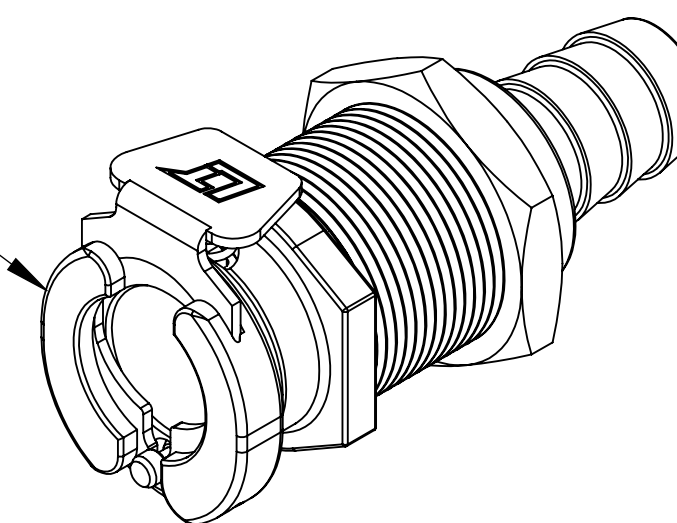
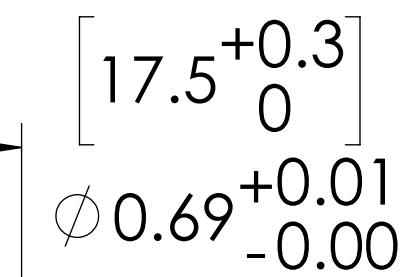
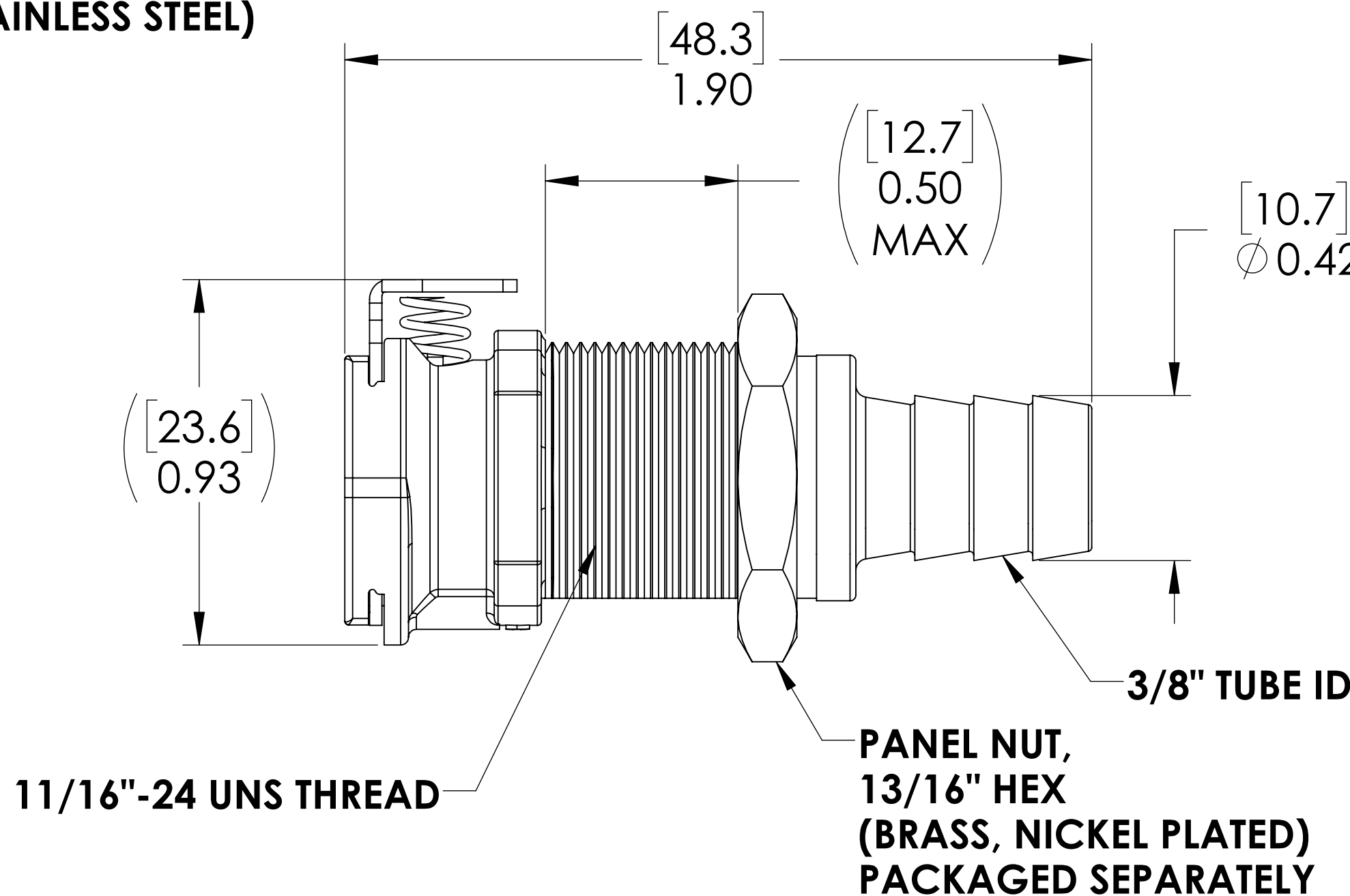
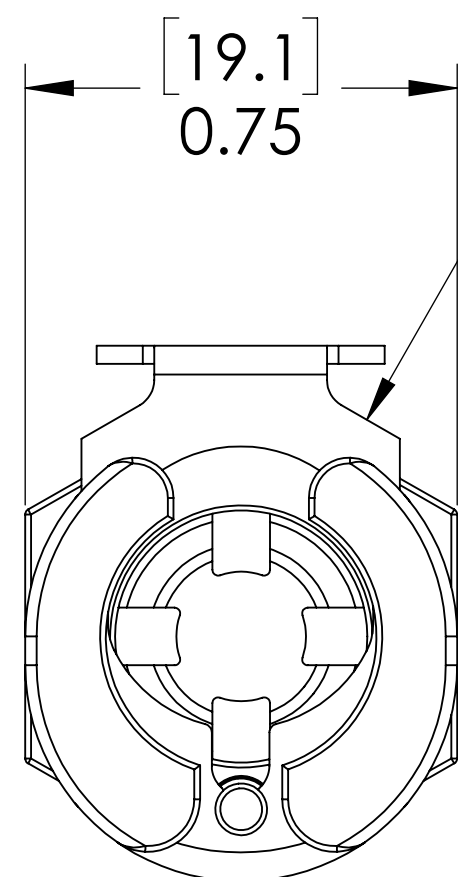


REVISIONS						
SHEET	ZONE	REV.	ECO	DESCRIPTION	DATE	APPROVED
1	ALL	A	50242	PIN, PIN SPRING & FORMAT UPDATE	10/25/2017	HRC

**SOCKET,
(ACETAL)**



**LATCH HARDWARE,
(STAINLESS STEEL)**



SECTION A-A

**PANEL NUT,
13/16" HEX
(BRASS, NICKEL PLATED)
PACKAGED SEPARATELY**

11/16"-24 UNS THREAD

3/8" TUBE ID

FOR REFERENCE ONLY

NOTES:

- MATERIAL: ACETAL
- COLOR: NATURAL WHITE

UNLESS OTHERWISE SPECIFIED:		NAME	DATE	
DIMENSIONS ARE IN INCHES TOLERANCES: FRACTIONAL ± 1/32 ANGULAR: MACH ± 0.5 BEND ± 2 ONE PLACE DECIMAL ± 0.1 TWO PLACE DECIMAL ± 0.01 THREE PLACE DECIMAL ± 0.005 TWO PLACE DUAL (mm) [± 0.12]		DRAWN	HRC 06-13-12	
PROPRIETARY AND CONFIDENTIAL		CHECKED	HRC 7/24/2017	
THE INFORMATION CONTAINED IN THIS DRAWING IS THE SOLE PROPERTY OF LINKTECH LLC. ANY REPRODUCTION OR DISCLOSURE IN PART OR AS A WHOLE WITHOUT THE WRITTEN PERMISSION OF LINKTECH LLC IS STRICTLY PROHIBITED.		ENG APPR.	HRC 10-25-17	
		MFG APPR.	BDB 10-25-17	
		Q.A.	JJB 10-25-17	DESCRIPTION: LinkTech 40AC Series Panel Mt. Female, Non-valved, 375 HB, Natural Acetal
		COMMENTS:		SIZE DWG. NO. REV C 40AC400101 A
				SCALE: NTS WEIGHT: SHEET 1 OF 1