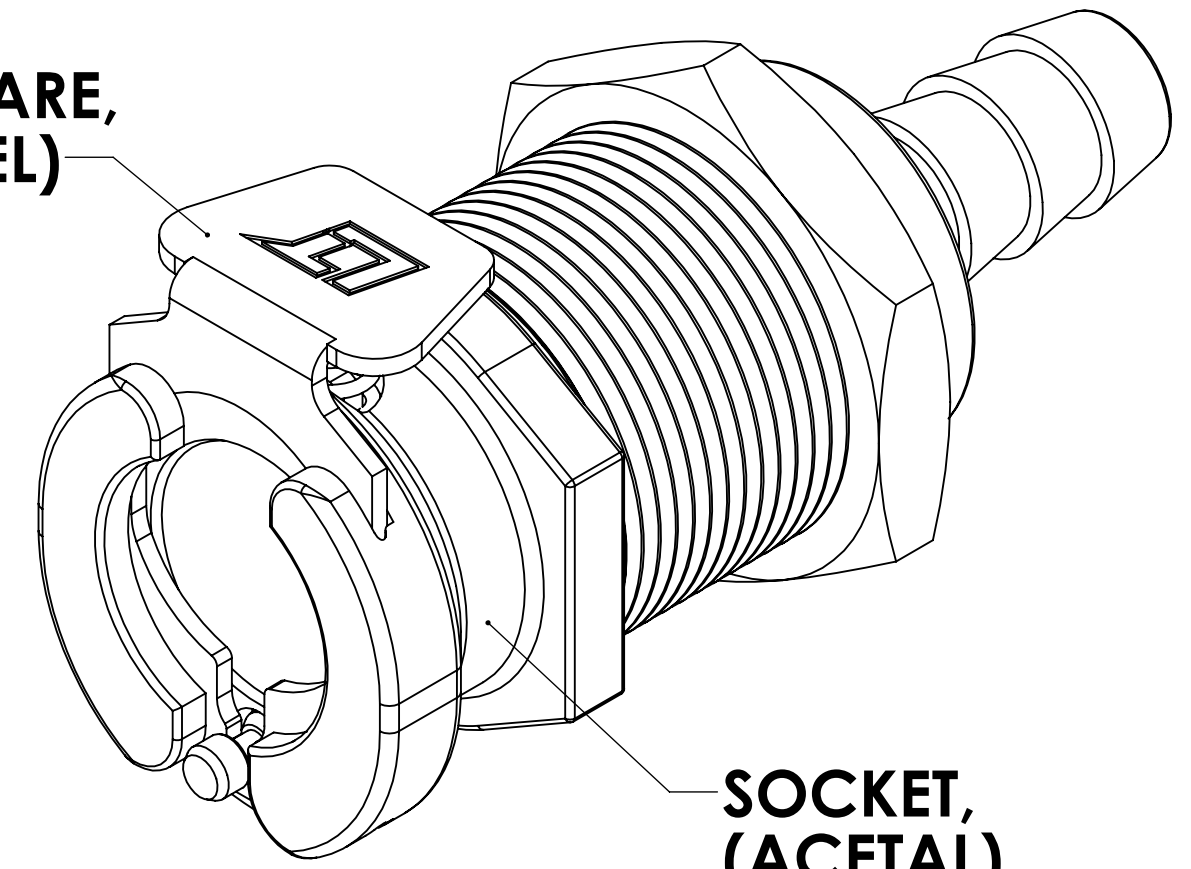
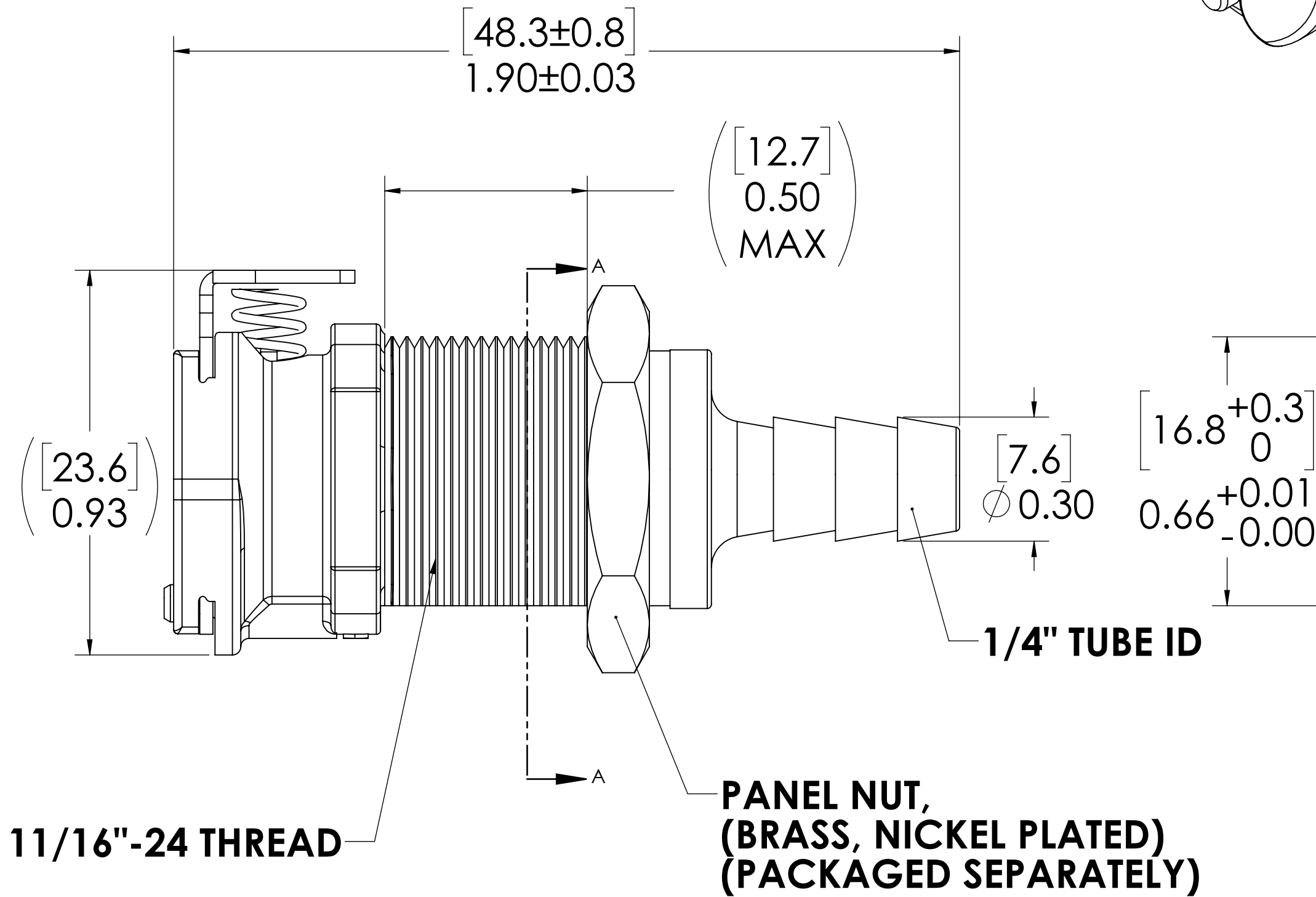
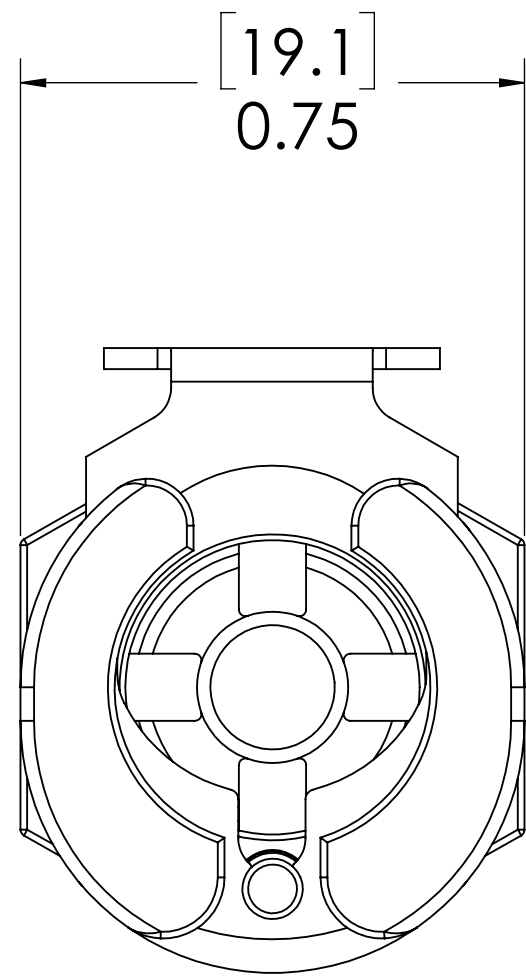


REVISIONS						
SHEET	ZONE	REV.	ECO	DESCRIPTION	DATE	APPROVED
1	ALL	A	50252	PIN, PIN SPRING & 2017 FORMAT UPDATE	7/18/2018	HRC

**LATCH HARDWARE,
(STAINLESS STEEL)**



**SOCKET,
(ACETAL)**



**SECTION A-A
(PANEL OPENING)**

FOR REFERENCE ONLY

NOTES:

- MATERIAL: ACETAL
- COLOR: NATURAL WHITE

<small>UNLESS OTHERWISE SPECIFIED: DIMENSIONS ARE IN INCHES TOLERANCES: FRACTIONAL ± 1/32 ANGULAR: MACH ± 0.5 BEND ± 2 ONE PLACE DECIMAL ± 0.1 TWO PLACE DECIMAL ± 0.01 THREE PLACE DECIMAL ± 0.005 TWO PLACE DUAL (mm) [± 0.12]</small>	DRAWN	ER	07-28-17	
	CHECKED	HRC	06/30/17	
	ENG APPR.	HRC	7/18/18	
	MFG APPR.	BDB	7/18/18	
PRODUCTION	LS	7/18/18		PART NO: 40AC-S3-04 DESCRIPTION: LinkTech 40AC Series Panel Mt. Female, Non-valved, 1/4" HB, Natural Acetal
<small>PROPRIETARY AND CONFIDENTIAL THE INFORMATION CONTAINED IN THIS DRAWING IS THE SOLE PROPERTY OF LINKTECH LLC. ANY REPRODUCTION OR DISCLOSURE IN PART OR AS A WHOLE WITHOUT THE WRITTEN PERMISSION OF LINKTECH LLC IS STRICTLY PROHIBITED.</small>	COMMENTS:			SIZE DWG. NO. REV C 40AC400097 A
SCALE: NTS		WEIGHT:	SHEET 1 OF 1	