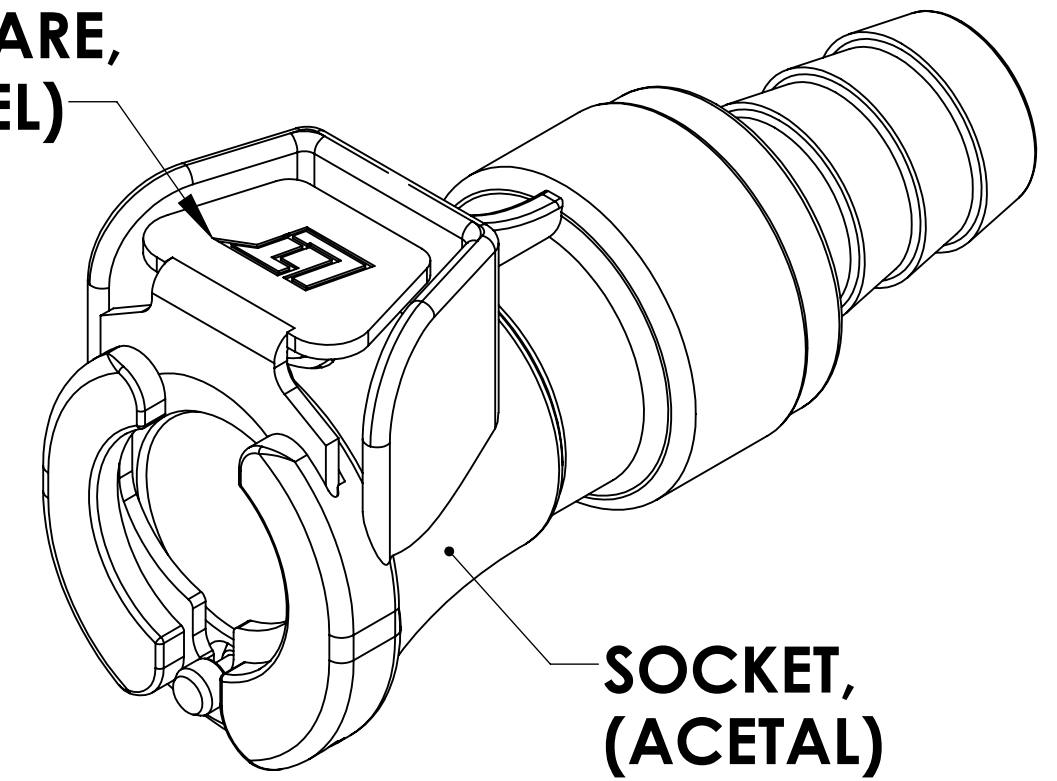
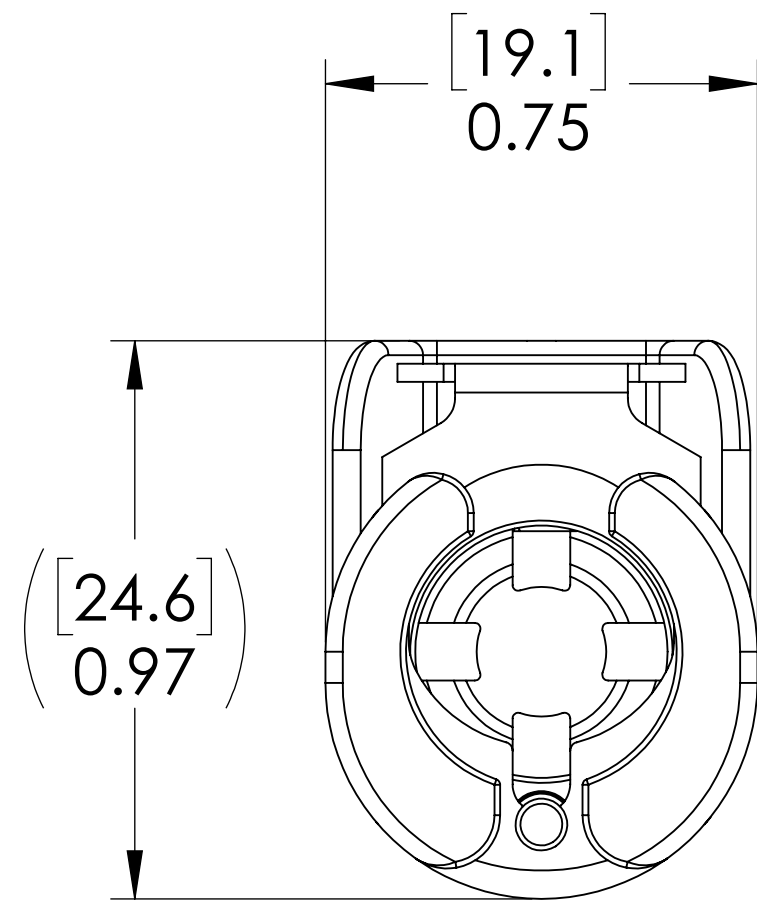


REVISIONS						
SHEET	ZONE	REV.	ECO	DESCRIPTION	DATE	APPROVED
1	C-4	A	50104	CHANGE FROM MULTI BODY TO SINGLE SOCKET BODY	8/19/2014	HRC
1	ALL	B	50242	REVERT BACK TO MULTI BODY SOCKET, UPDATE BOM, AND NOTES	6/27/2017	HRC
1	ALL	C	50253	2017 FORMAT UPDATE	4/17/2018	HRC

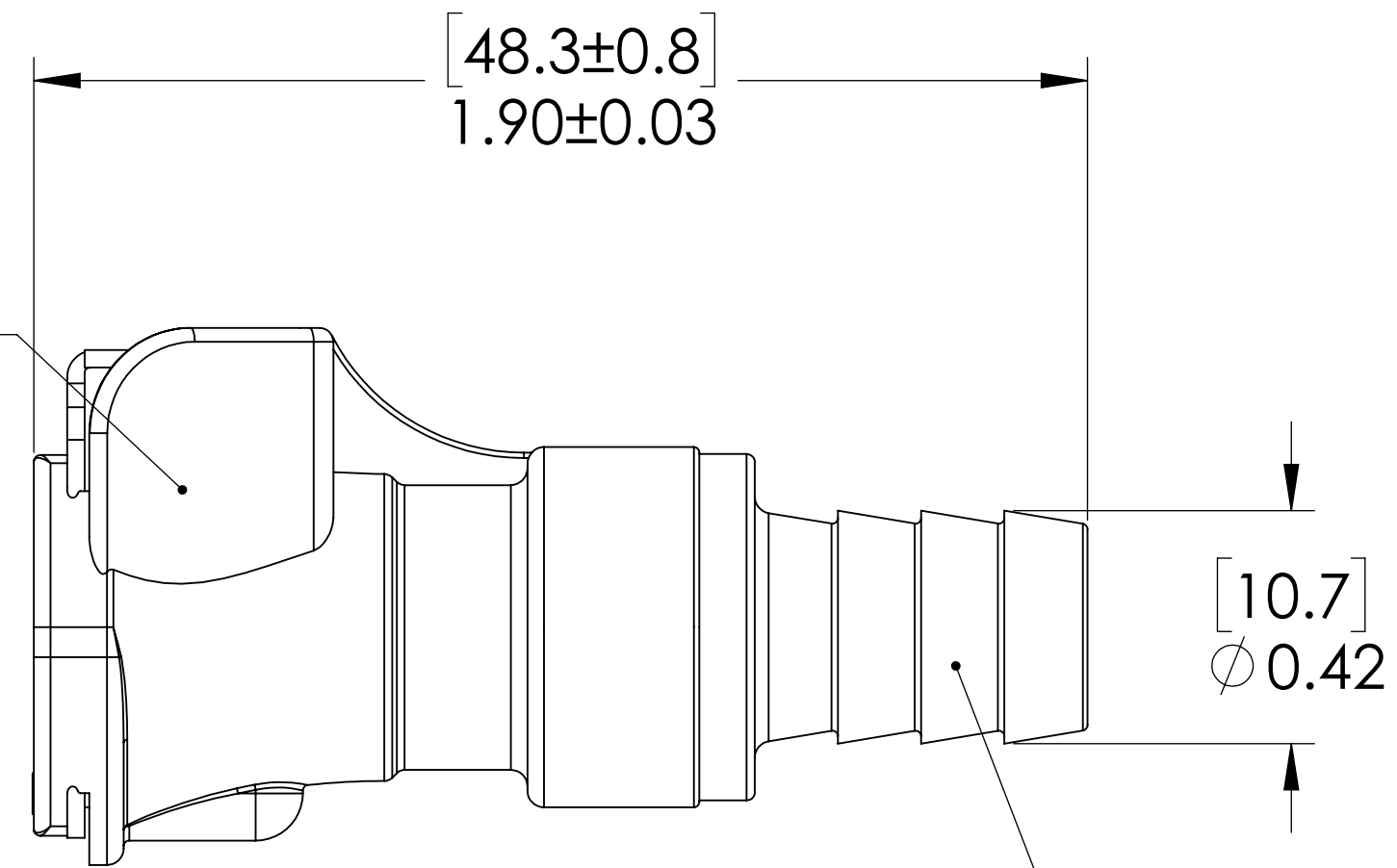
**LATCH HARDWARE,
(STAINLESS STEEL)**



**SOCKET,
(ACETAL)**



**LATCH SPRING,
INTERNAL
(STAINLESS STEEL)**



3/8" TUBE ID

FOR REFERENCE ONLY

NOTES:

- MATERIAL: ACETAL
- COLOR: NATURAL WHITE

<small>UNLESS OTHERWISE SPECIFIED: DIMENSIONS ARE IN INCHES TOLERANCES: FRACTIONAL ± 1/32 ANGULAR: MACH ± 0.5 BEND ± 2 ONE PLACE DECIMAL ± 0.1 TWO PLACE DECIMAL ± 0.01 THREE PLACE DECIMAL ± 0.005 TWO PLACE DUAL (mm) [± 0.12]</small>	DRAWN	HRC	08-08-14	
	CHECKED	HRC	08-08-14	
	ENG APPR.	HRC	6-23-17	
	MFG APPR.	BDB	6-27-17	
<small>PROPRIETARY AND CONFIDENTIAL THE INFORMATION CONTAINED IN THIS DRAWING IS THE SOLE PROPERTY OF LINKTECH LLC. ANY REPRODUCTION OR DISCLOSURE IN PART OR AS A WHOLE WITHOUT THE WRITTEN PERMISSION OF LINKTECH LLC IS STRICTLY PROHIBITED.</small>	Q.A.	JJB	6-23-17	PART NO: 40AC-S2-06
<small>COMMENTS:</small>				DESCRIPTION: LinkTech 40AC Series Straight Female, Non-valved, 3/8" HB, Natural Acetal
SIZE DWG. NO.		REV		C 40AC400152 C
SCALE: NTS		WEIGHT:		SHEET 1 OF 1