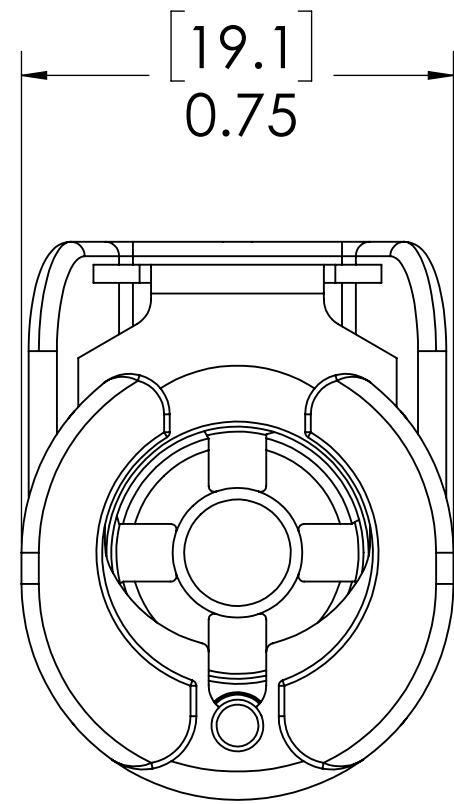
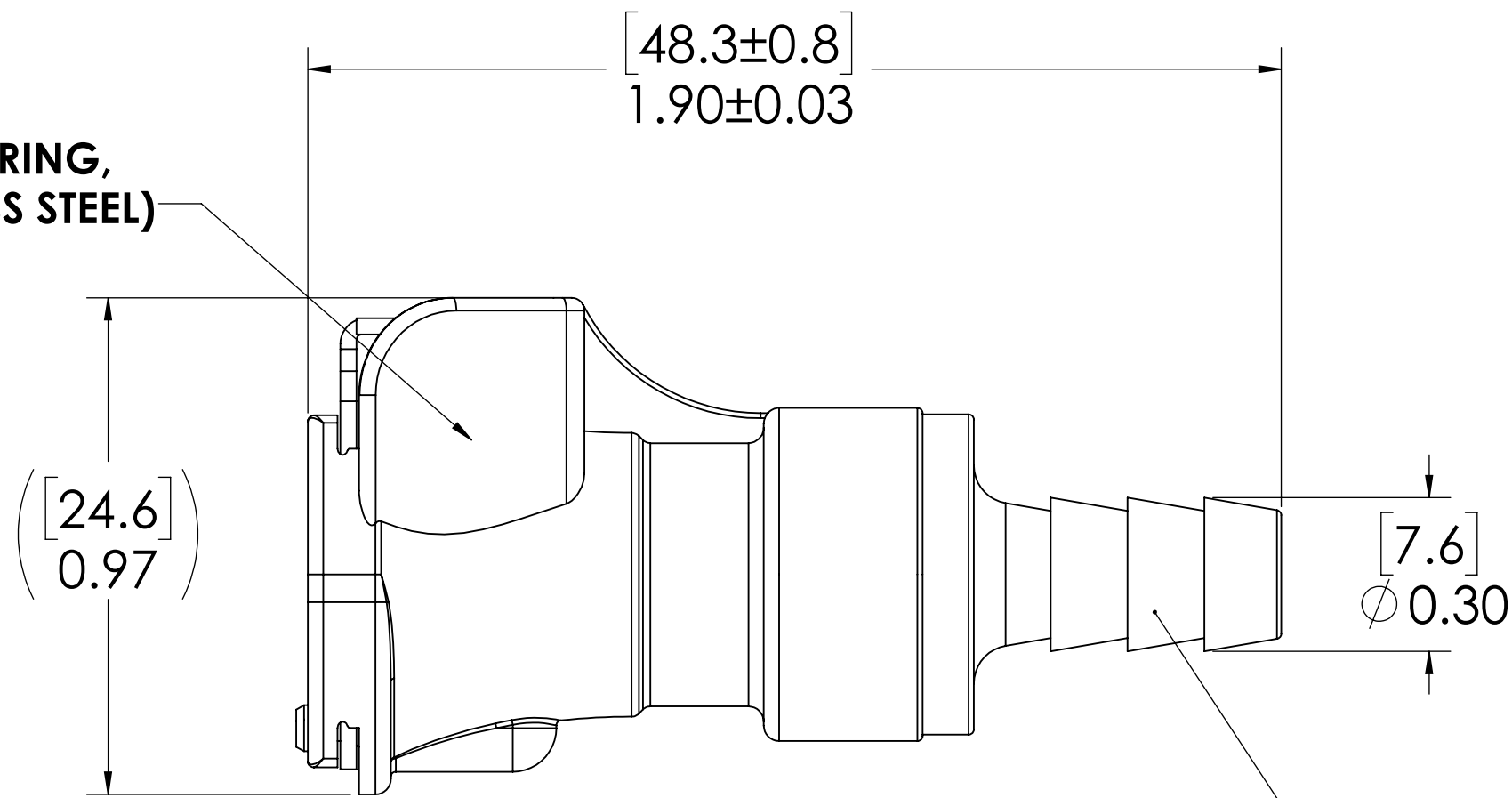


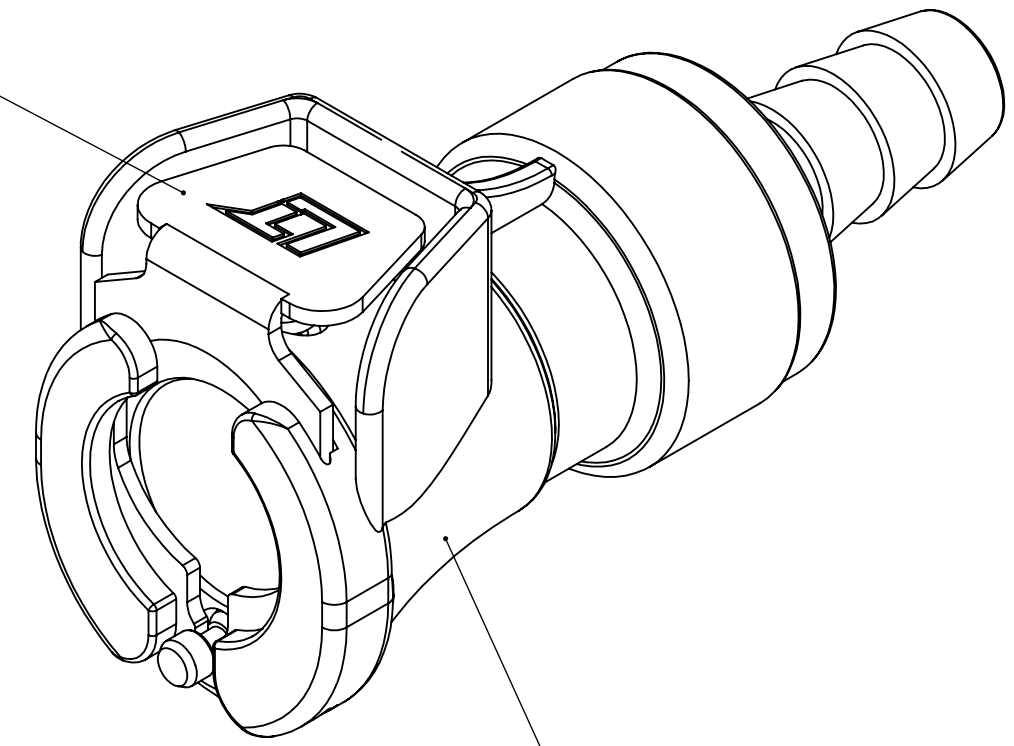
REVISIONS						
SHEET	ZONE	REV.	ECO	DESCRIPTION	DATE	APPROVED
1	ALL	A	50242	UPDATE DWG FORMAT, BOM, AND NOTES		HRC



**LATCH SPRING,
(STAINLESS STEEL)**



**LATCH HARDWARE,
(STAINLESS STEEL)**



**SOCKET,
(ACETAL)**

1/4" TUBE ID

NOTES:

- MATERIAL: ACETAL
- COLOR: NATURAL WHITE

FOR REFERENCE ONLY

<small>UNLESS OTHERWISE SPECIFIED: DIMENSIONS ARE IN INCHES TOLERANCES: FRACTIONAL ± 1/32 ANGULAR, MACH ± 0.5 BEND ± 2 ONE PLACE DECIMAL ± 0.1 TWO PLACE DECIMAL ± 0.01 THREE PLACE DECIMAL ± 0.005 TWO PLACE DUAL (mm) [± 0.12]</small>	DRAWN	CKE	5-23-17	
	CHECKED	HRC	5-23-17	
	ENG APPR.	HRC	6/27/17	
	MFG APPR.	BDB	6/27/17	
<small>PROPRIETARY AND CONFIDENTIAL THE INFORMATION CONTAINED IN THIS DRAWING IS THE SOLE PROPERTY OF LINKTECH LLC. ANY REPRODUCTION OR DISCLOSURE IN PART OR AS A WHOLE WITHOUT THE WRITTEN PERMISSION OF LINKTECH LLC IS STRICTLY PROHIBITED.</small>	Q.A.	JJB	6/27/17	PART NO: 40AC-S2-04 DESCRIPTION: LinkTech 40AC Series Straight Female, Non-valved, 1/4" HB, Natural Acetal
<small>COMMENTS:</small>		SIZE DWG. NO. REV C 40AC400195 A	SCALE: NTS WEIGHT: SHEET 1 OF 1	