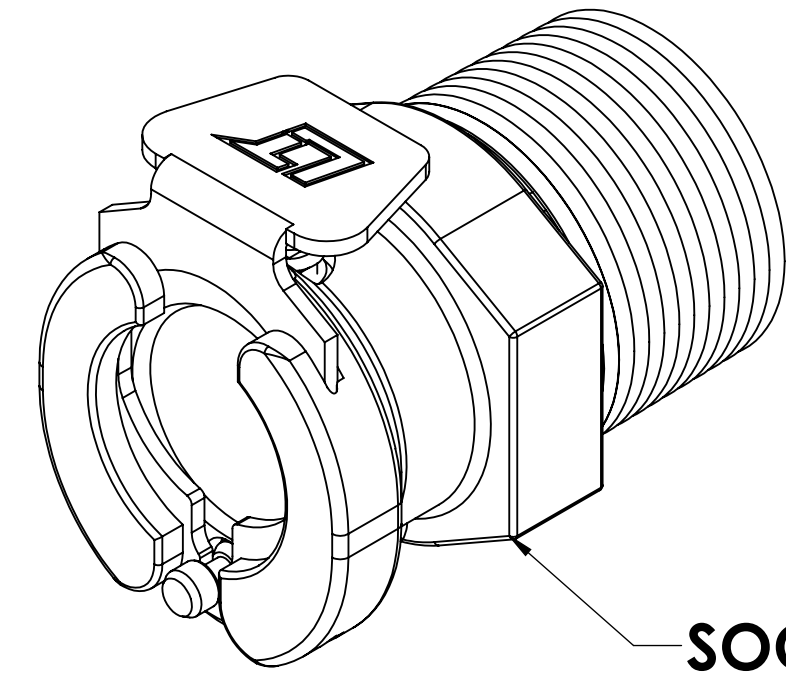
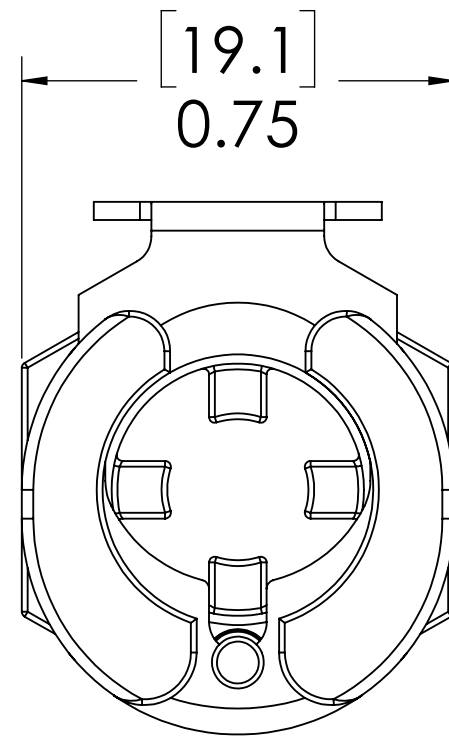


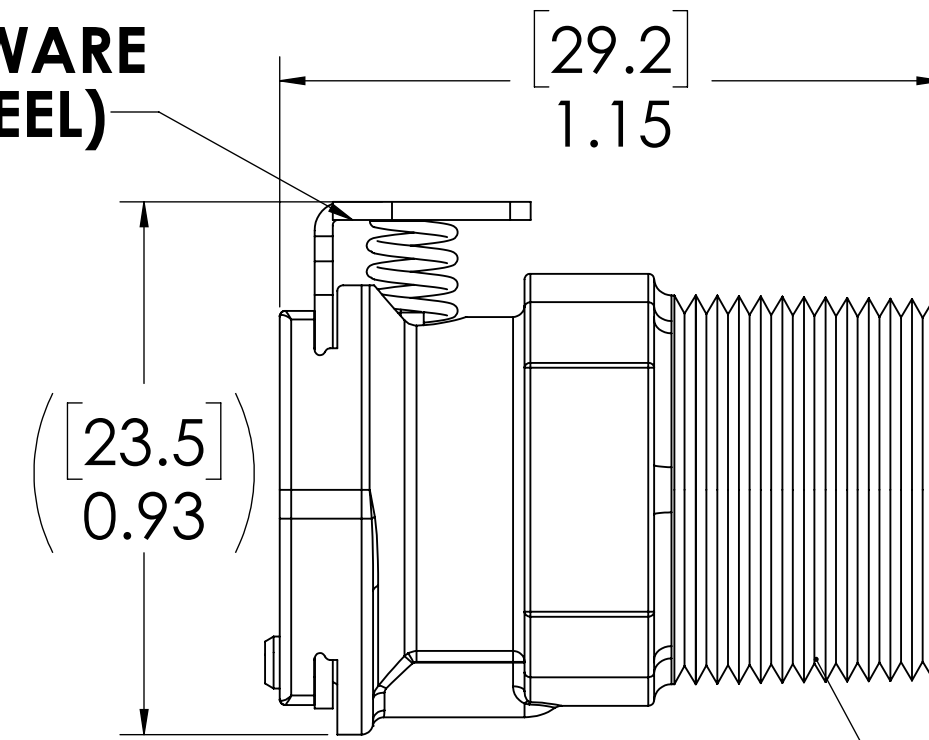
REVISIONS						
SHEET	ZONE	REV.	ECO	DESCRIPTION	DATE	APPROVED
ALL	ALL	A	50242	PIN, PN SPRING & FORMAT UPDATE	3/29/2019	HRC



**SOCKET  
(ACETAL)**



**LATCH HARDWARE  
(STAINLESS STEEL)**



**3/8 NPT THREAD  
(PIPE THREAD)**

**NOTES:**

1. MATERIAL: ACETAL
2. COLOR: NATURAL WHITE
3. O-RING MATERIAL: BUNA-N
4. O-RINGS LUBRICATED WITH FOOD GRADE SILICONE OIL, 350 CST.

**FOR REFERENCE ONLY**

<small>UNLESS OTHERWISE SPECIFIED: DIMENSIONS ARE IN INCHES TOLERANCES: FRACTIONAL ± 1/32 ANGULAR: MACH ± 0.5 BEND ± 2 ONE PLACE DECIMAL ± 0.1 TWO PLACE DECIMAL ± 0.01 THREE PLACE DECIMAL ± 0.005 TWO PLACE DUAL (mm) [± 0.12]</small>	DRAWN	RDA	3/20/2019	
	CHECKED	HRC	3/20/2019	
	ENG APPR.	HRC	3/29/19	
	MFG APPR.	BDB	3/29/19	
PRODUCTION	LS	3/29/19		<b>PART NO: 40AC-S1-06</b> <b>DESCRIPTION:</b> <b>LinkTech 40AC Series Male Thread Female, Non-valved, 375 MNPT, Natural Acetal</b>
<small>PROPRIETARY AND CONFIDENTIAL THE INFORMATION CONTAINED IN THIS DRAWING IS THE SOLE PROPERTY OF LINKTECH LLC. ANY REPRODUCTION OR DISCLOSURE IN PART OR AS A WHOLE WITHOUT THE WRITTEN PERMISSION OF LINKTECH LLC IS STRICTLY PROHIBITED.</small>	COMMENTS:			<b>SIZE DWG. NO. REV</b> <b>C 40AC400270 A</b>
SCALE: NTS		WEIGHT:		SHEET 1 OF 1