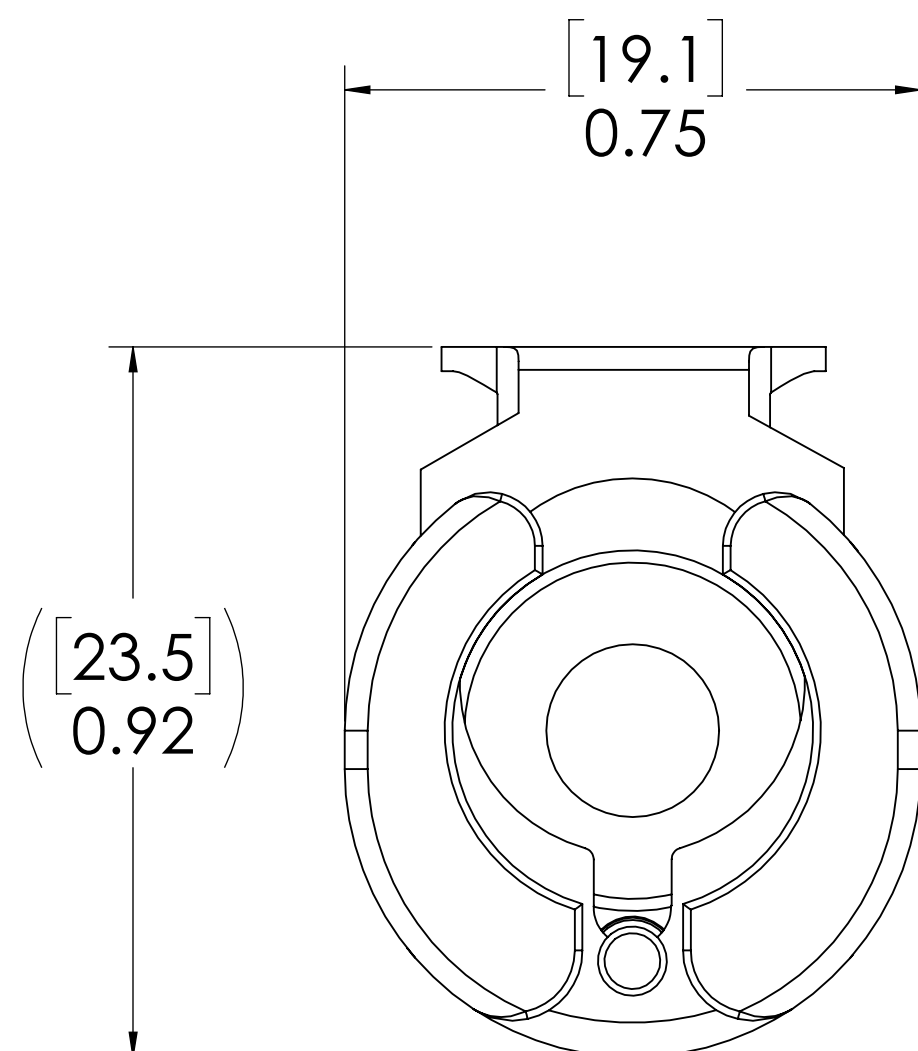
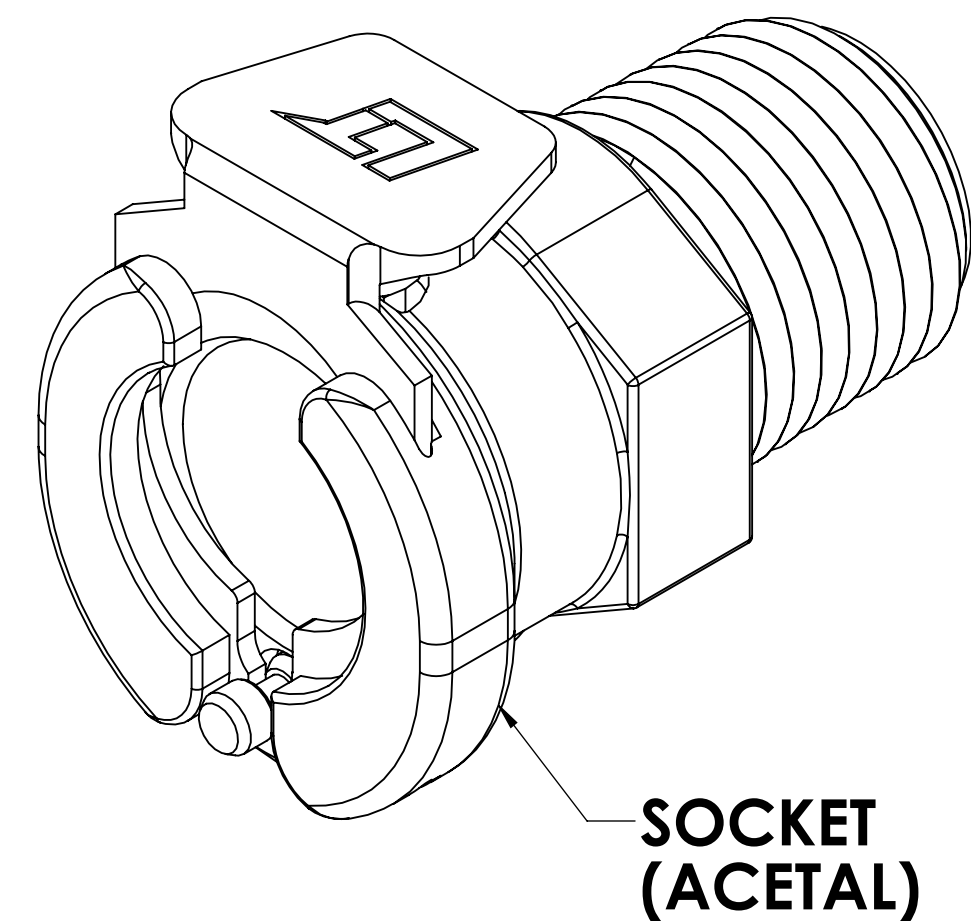
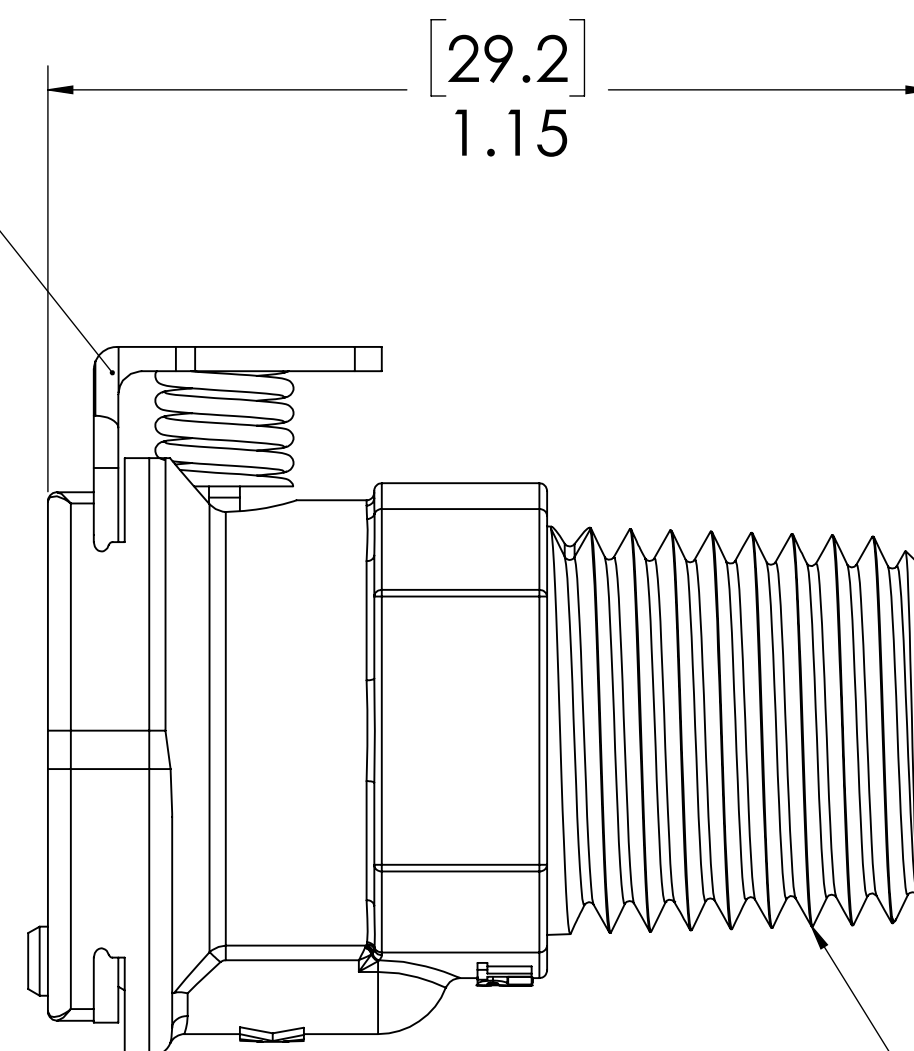


REVISIONS						
SHEET	ZONE	REV.	ECO	DESCRIPTION	DATE	APPROVED
1	ALL	NC	50242	REPLACE C101 ANC C106 WITH AC1000103 AND AC1000009 RESPECTIVELY	4/28/2017	HRC
1	ALL	A	50242	PIN, PIN SPRING & 2017 FORMAT UPDATE	10/4/2018	HRC



**LATCH HARDWARE
(STAINLESS STEEL)**



**1/4" BSPT
(PIPE THREAD)**

NOTES:

- MATERIAL: ACETAL
- COLOR: NATURAL WHITE

FOR REFERENCE ONLY

<small>UNLESS OTHERWISE SPECIFIED: DIMENSIONS ARE IN INCHES TOLERANCES: FRACTIONAL ± 1/32 ANGULAR: MACH ± 0.5 BEND ± 2 ONE PLACE DECIMAL ± 0.1 TWO PLACE DECIMAL ± 0.01 THREE PLACE DECIMAL ± 0.005 TWO PLACE DUAL (mm) [± 0.12]</small>	DRAWN	CKE	4/20/17	
	CHECKED	HRC	4/20/17	
	ENG APPR.	HRC	4/28/17	
	MFG APPR.	BDB	4/28/17	
<small>PROPRIETARY AND CONFIDENTIAL</small>	Q.A.	JJB	4/28/17	PART NO. 40AC-S1-04BSPT
<small>THE INFORMATION CONTAINED IN THIS DRAWING IS THE SOLE PROPERTY OF LINKTECH LLC. ANY REPRODUCTION OR DISCLOSURE IN PART OR AS A WHOLE WITHOUT THE WRITTEN PERMISSION OF LINKTECH LLC IS STRICTLY PROHIBITED.</small>	COMMENTS:			<small>DESCRIPTION: LinkTech 40AC Series Male Thread Female, Non-valved, 1/4" BSPT, Natural Acetal</small>
		SIZE	DWG. NO.	REV
		C	40AC400191	A
		SCALE: NTS	WEIGHT:	SHEET 1 OF 1