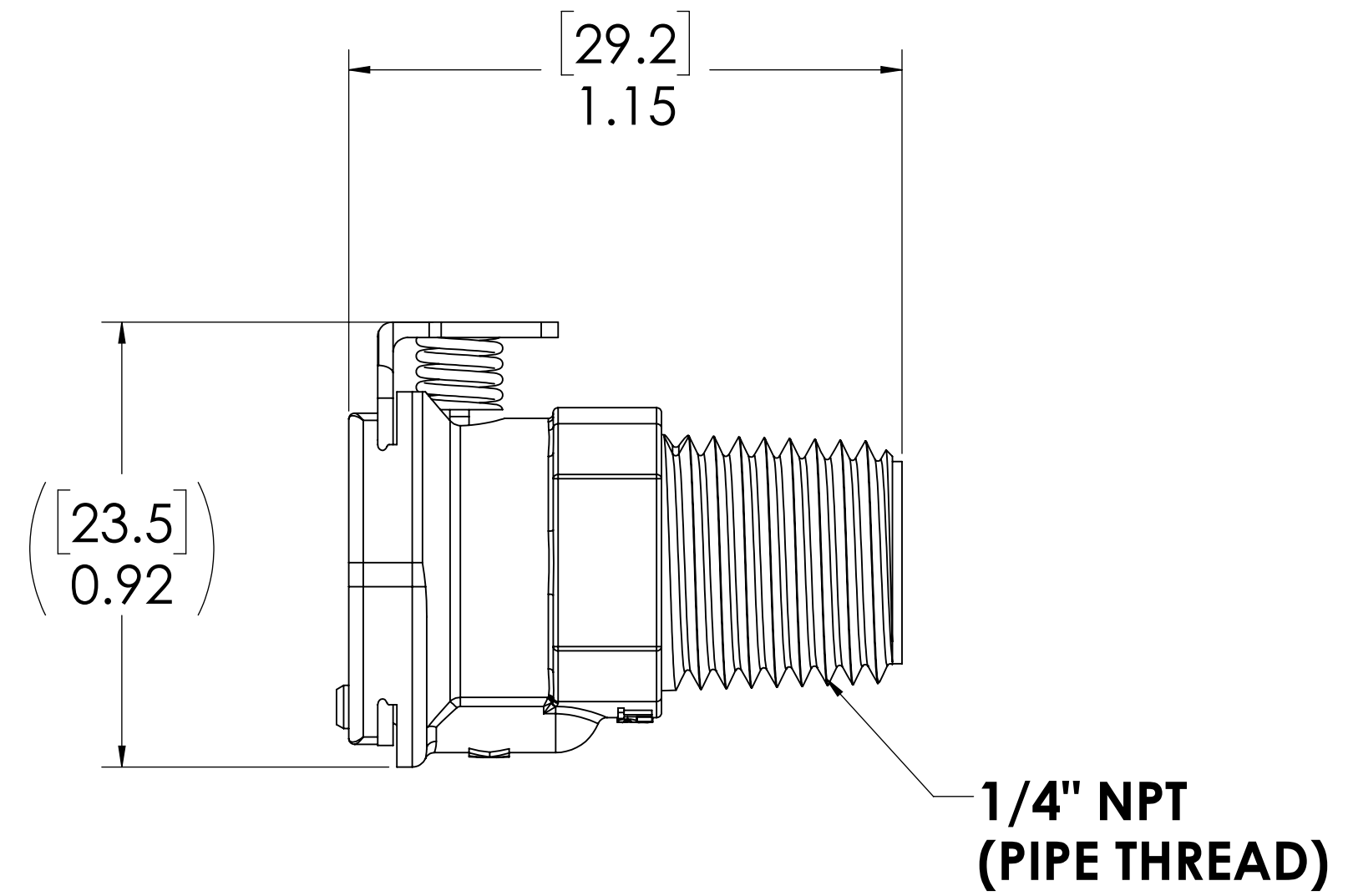
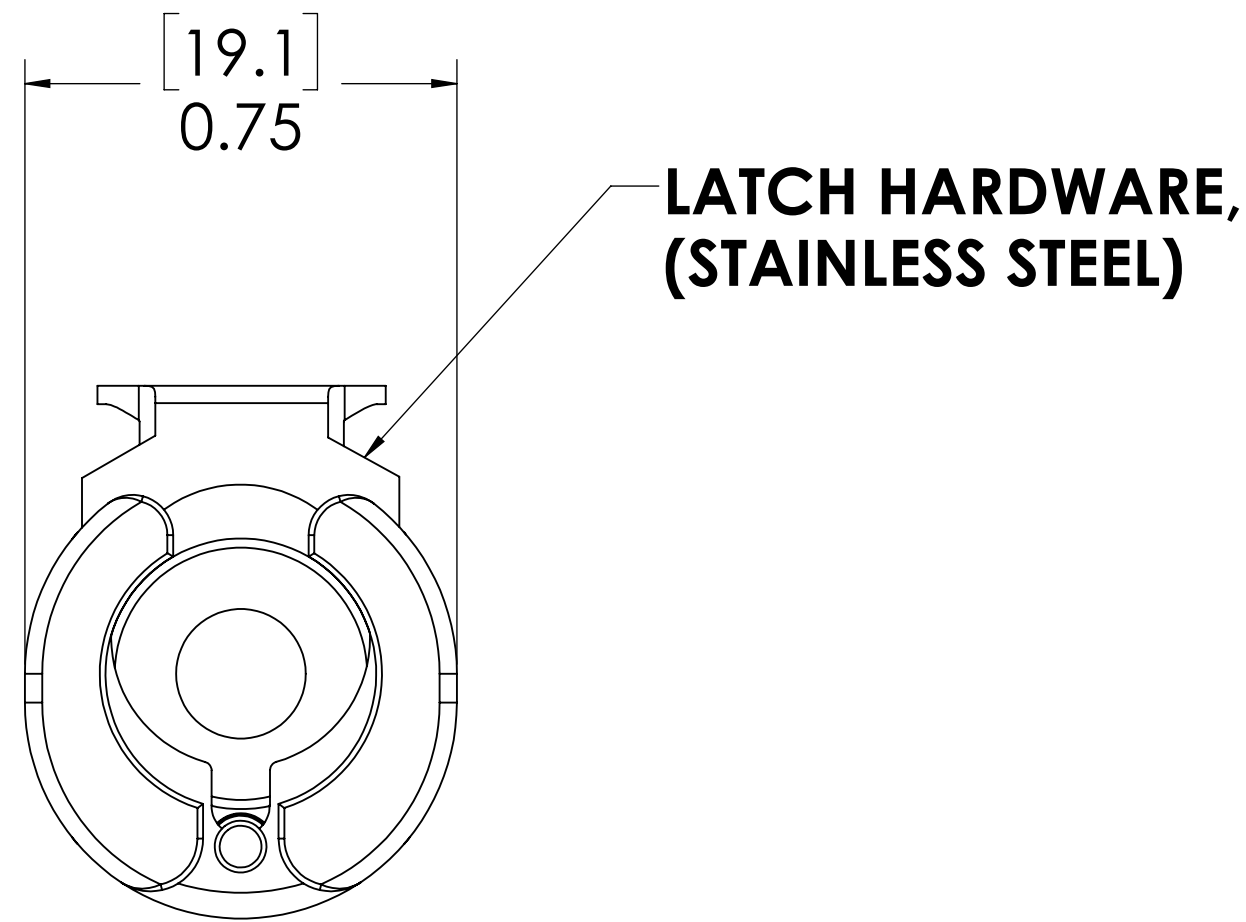
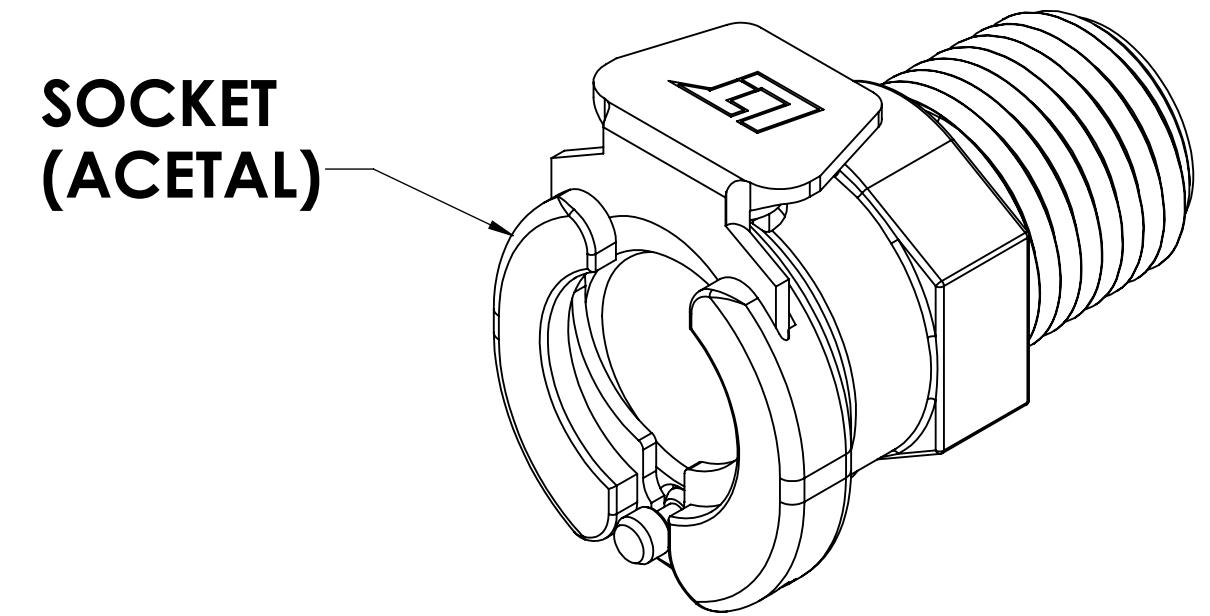


REVISIONS						
SHEET	ZONE	REV.	ECO	DESCRIPTION	DATE	APPROVED
1	ALL	A	50242	PIN, PIN SPRING & 2017 FORMAT UPDATE	11/1/2017	HRC



**NOTES:**

1. MATERIAL: ACETAL
2. COLOR: NATURAL WHITE

**FOR REFERENCE ONLY**

<small>UNLESS OTHERWISE SPECIFIED: DIMENSIONS ARE IN INCHES TOLERANCES: FRACTIONAL ± 1/32 ANGULAR: MACH ± 0.5 BEND ± 2 ONE PLACE DECIMAL ± 0.1 TWO PLACE DECIMAL ± 0.01 THREE PLACE DECIMAL ± 0.005 TWO PLACE DUAL (mm) [± 0.12]</small>	DRAWN	RDA	8/18/2017	
	CHECKED	HRC	8/18/2017	
	ENG APPR.	HRC	11/1/2017	
	MFG APPR.	BDB	11/1/2017	
<small>PROPRIETARY AND CONFIDENTIAL THE INFORMATION CONTAINED IN THIS DRAWING IS THE SOLE PROPERTY OF LINKTECH LLC. ANY REPRODUCTION OR DISCLOSURE IN PART OR AS A WHOLE WITHOUT THE WRITTEN PERMISSION OF LINKTECH LLC IS STRICTLY PROHIBITED.</small>	Q.A.	JJB	11/1/2017	PART NO: <b>40AC-S1-04</b> DESCRIPTION: <b>LinkTech 40AC Series Male Thread Female, Non-valved, 250 MNPT, Natural Acetal</b>
SIZE DWG. NO. <b>C 40AC400215</b>		REV <b>A</b>		SCALE: NTS WEIGHT: SHEET 1 OF 1