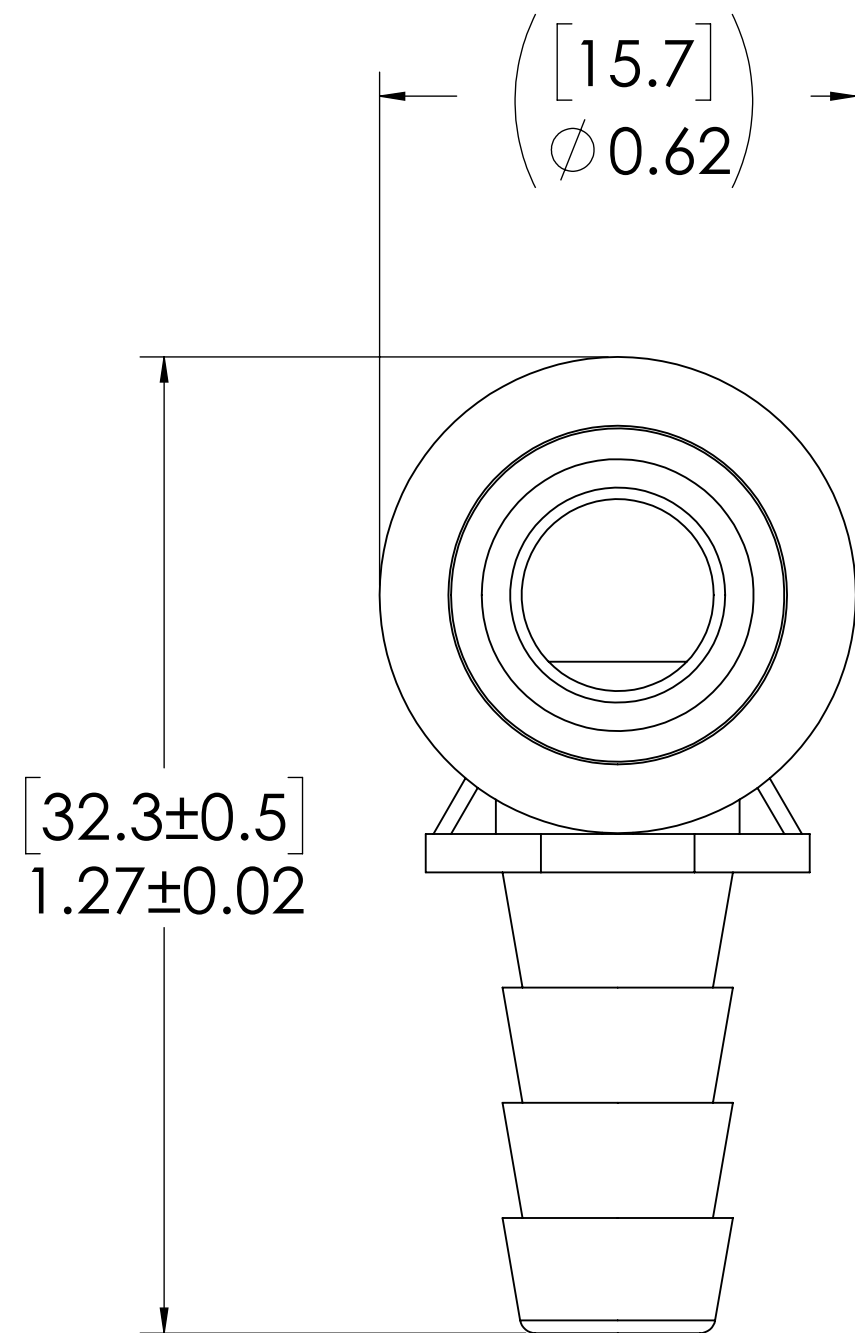
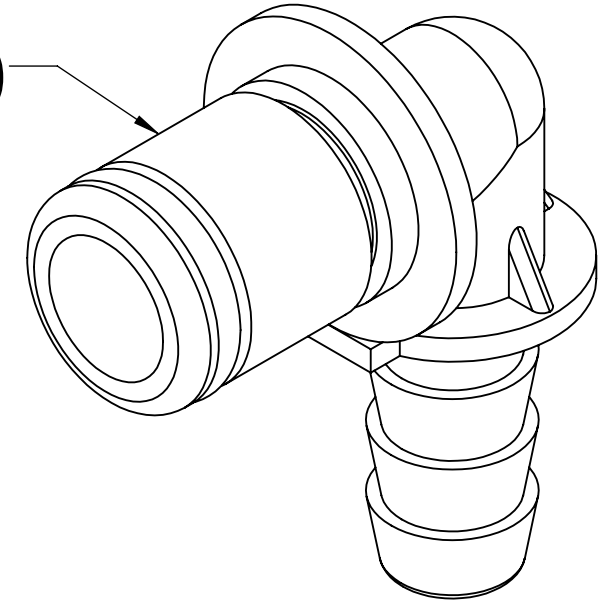
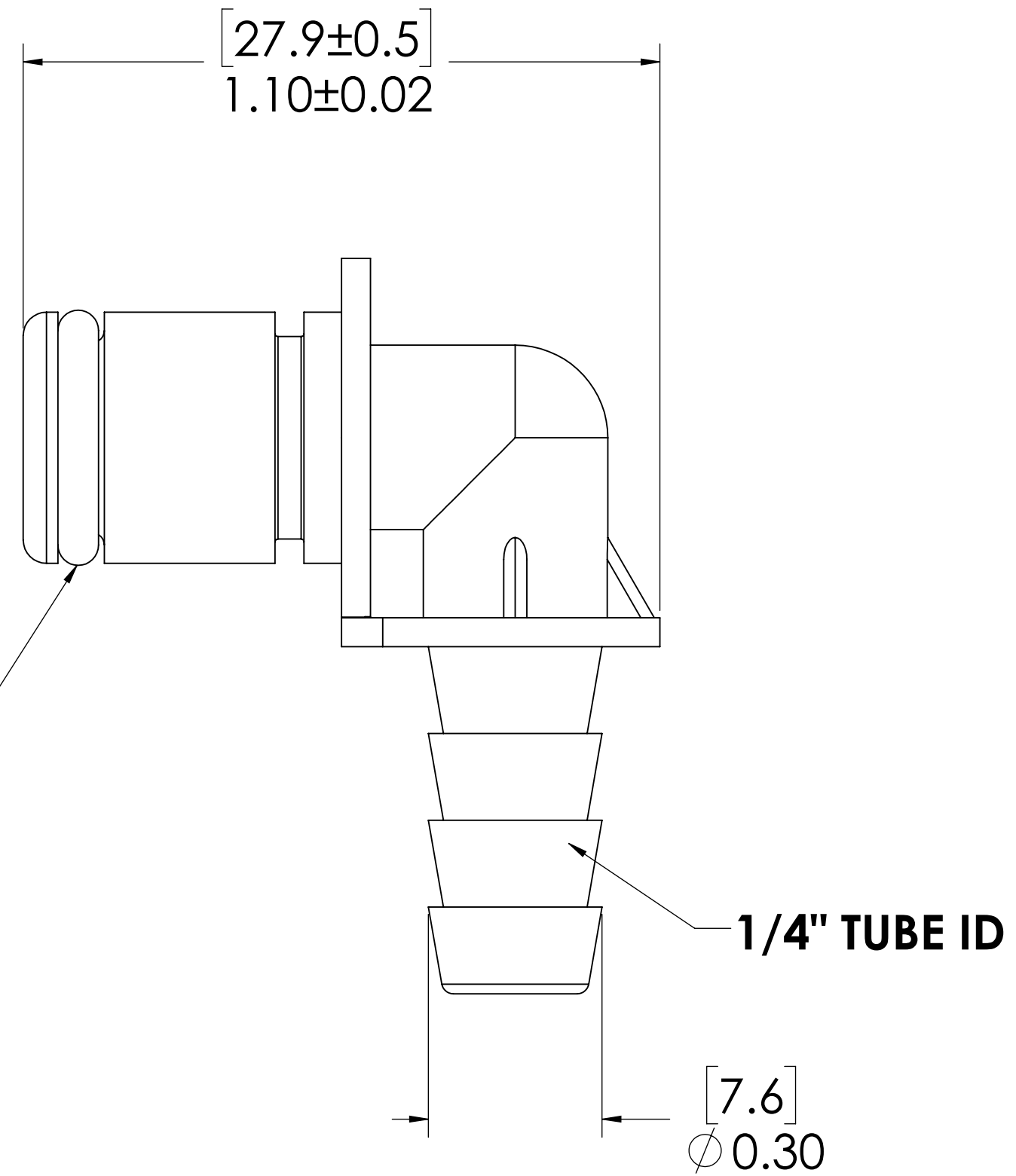


REVISIONS						
SHEET	ZONE	REV.	ECO	DESCRIPTION	DATE	APPROVED
1	ALL	A	50253	DWG FORMAT UPDATE	4/12/2018	HRC

**PLUG,
(ACETAL)**




**O-RING
(BUNA)**



NOTES:

1. MATERIAL: ACETAL
2. COLOR: NATURAL WHITE
3. O-RING MATERIAL: BUNA-N
4. O-RINGS LUBRICATED WITH FOOD GRADE SILICONE OIL, 350 CST.

FOR REFERENCE ONLY

<small>UNLESS OTHERWISE SPECIFIED: DIMENSIONS ARE IN INCHES TOLERANCES: FRACTIONAL ± 1/32 ANGULAR: MACH ± 0.5 BEND ± 2 ONE PLACE DECIMAL ± 0.1 TWO PLACE DECIMAL ± 0.01 THREE PLACE DECIMAL ± 0.005 TWO PLACE DUAL (mm) ± 0.12</small>	DRAWN	CBH	8/9/2017	 PART NO: 40AC-PB4-04 DESCRIPTION: LinkTech 40AC Series Elbow Male, Non-valved, 1/4" HB, Natural Acetal
	CHECKED	HRC	8/9/17	
	ENG APPR.	HRC	4-12-18	
	MFG APPR.	BDB	4-12-18	
<small>PROPRIETARY AND CONFIDENTIAL THE INFORMATION CONTAINED IN THIS DRAWING IS THE SOLE PROPERTY OF LINKTECH LLC. ANY REPRODUCTION OR DISCLOSURE IN PART OR AS A WHOLE WITHOUT THE WRITTEN PERMISSION OF LINKTECH LLC IS STRICTLY PROHIBITED.</small>	PURCHASING	RK	4-12-18	SIZE DWG. NO. REV C 40AC400047 A
SCALE: NTS WEIGHT: SHEET 1 OF 1				