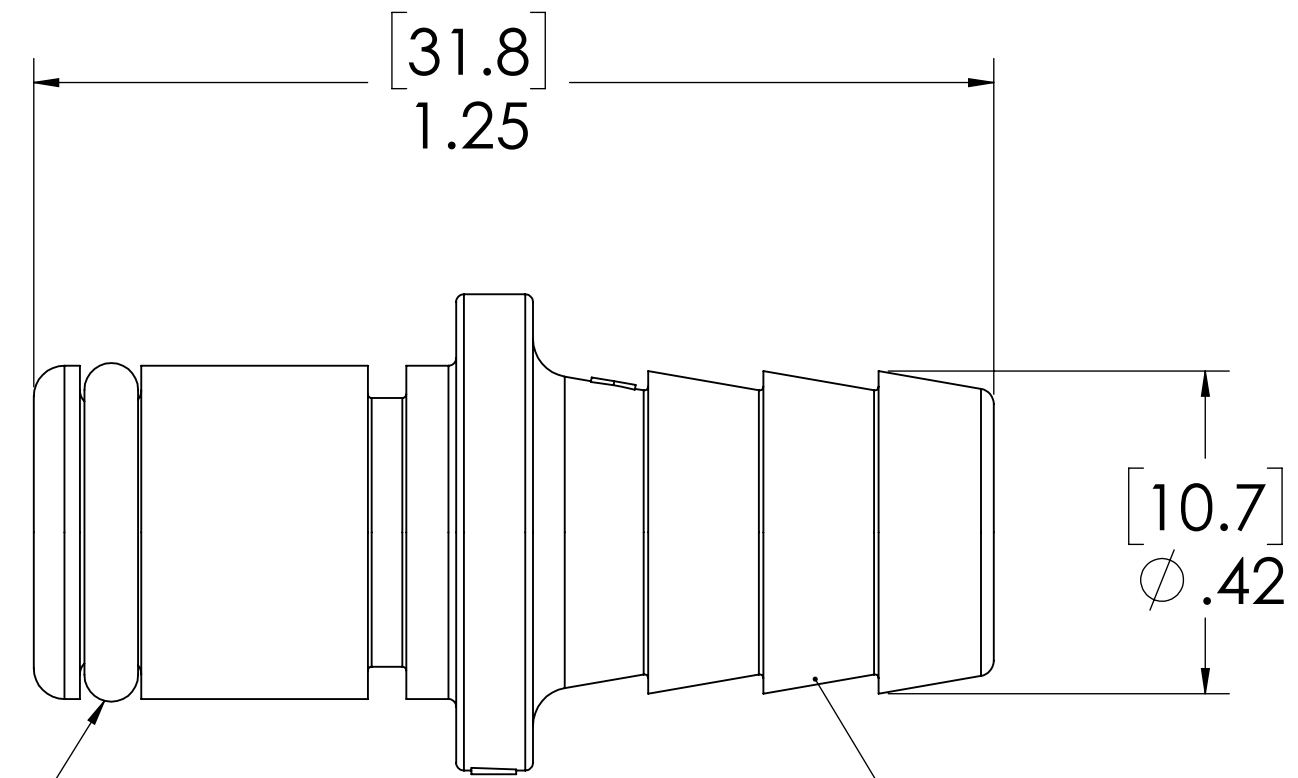
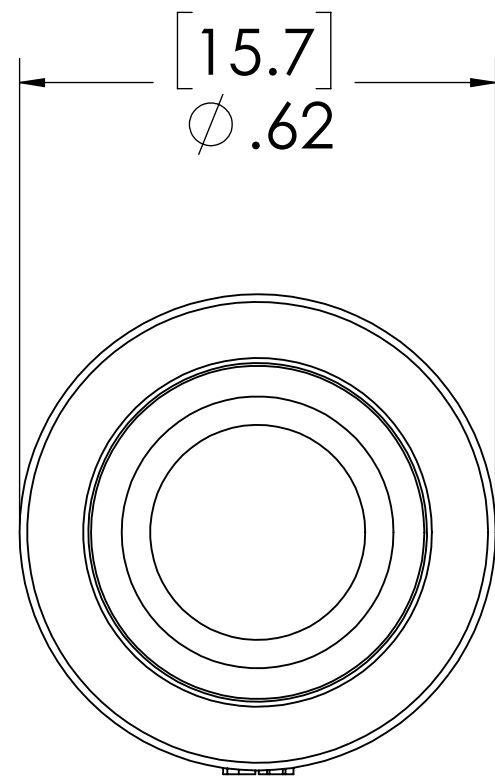
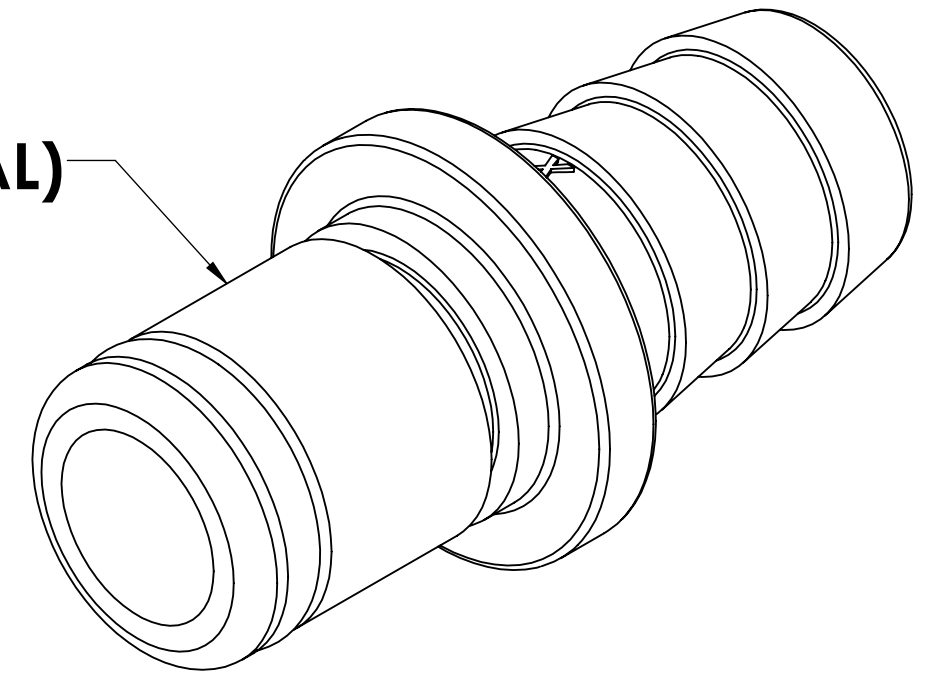


REVISIONS						
SHEET	ZONE	REV.	ECO	DESCRIPTION	DATE	APPROVED
1	ALL	A	50253	DWG FORMAT UPDATE	4/12/2018	HRC

**PLUG,
(ACETAL)**




**O-RING,
(BUNA-N)**

3/8" TUBE ID

NOTES:

- MATERIAL: ACETAL
- COLOR: NATURAL WHITE
- O-RING MATERIAL: BUNA-N
- O-RINGS LUBRICATED WITH FOOD GRADE SILICONE OIL, 350 CST.

FOR REFERENCE ONLY

<small>UNLESS OTHERWISE SPECIFIED: DIMENSIONS ARE IN INCHES TOLERANCES: FRACTIONAL ± 1/32 ANGULAR: MACH ± 0.5 BEND ± 2 ONE PLACE DECIMAL ± 0.1 TWO PLACE DECIMAL ± 0.01 THREE PLACE DECIMAL ± 0.005 TWO PLACE DUAL (mm) [± 0.12]</small>	DRAWN	CBH	7/26/2017	 PART NO: 40AC-PB2-06 DESCRIPTION: LinkTech 40AC Series Straight Male, Non-valved, 3/8" HB, Natural Acetal
	CHECKED	HRC	7/27/17	
	ENG APPR.	HRC	4-12-18	
	MFG APPR.	BDB	4-12-18	
<small>PROPRIETARY AND CONFIDENTIAL THE INFORMATION CONTAINED IN THIS DRAWING IS THE SOLE PROPERTY OF LINKTECH LLC. ANY REPRODUCTION OR DISCLOSURE IN PART OR AS A WHOLE WITHOUT THE WRITTEN PERMISSION OF LINKTECH LLC IS STRICTLY PROHIBITED.</small>	PURCHASING	RK	4-12-18	<small>SIZE DWG. NO. REV</small> C 40AC400067 A
<small>COMMENTS:</small>			<small>SCALE: NTS WEIGHT: SHEET 1 OF 1</small>	