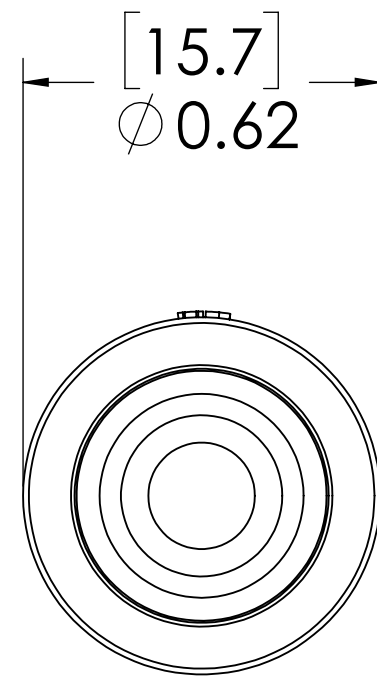
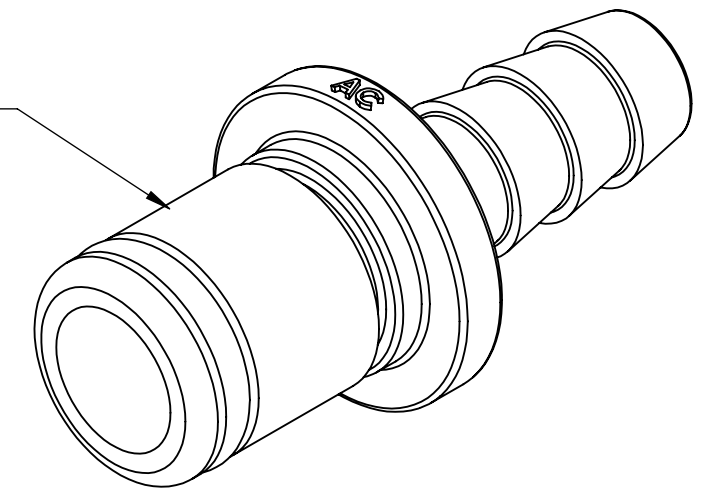
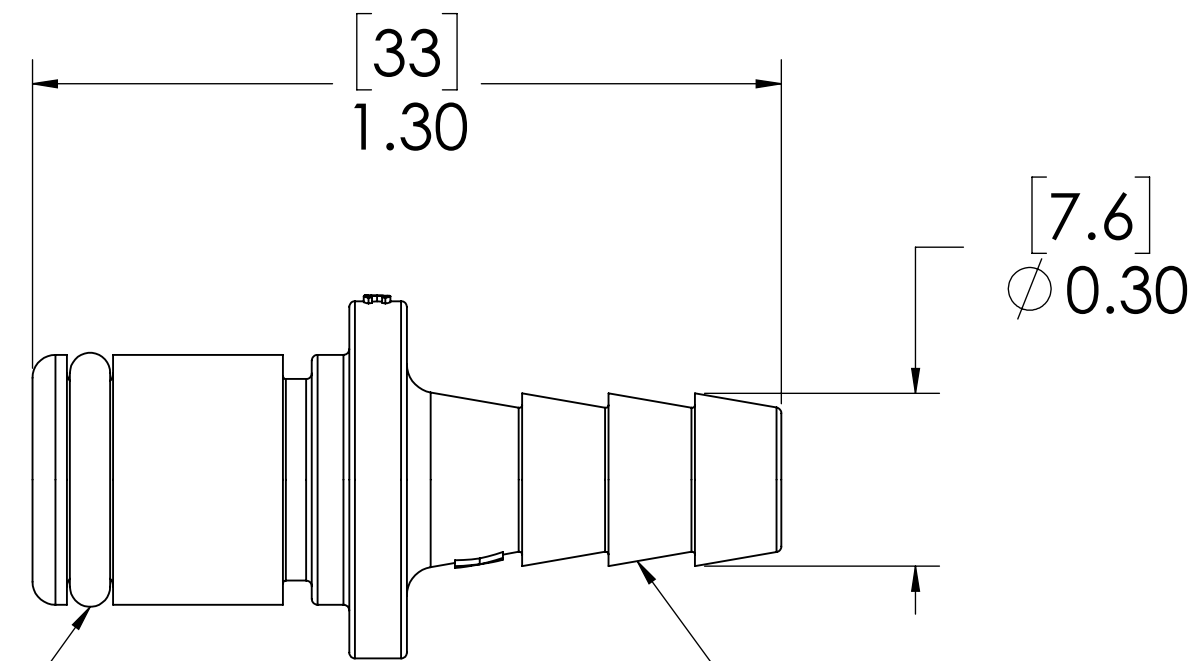


REVISIONS						
SHEET	ZONE	REV.	ECO	DESCRIPTION	DATE	APPROVED
1	ALL	A	50253	2017 FORMAT UPDATE	5/15/2018	HR

**PLUG,  
(ACETAL)**



**O-RING,  
(BUNA-N)**



**1/4" TUBE ID**

**NOTES:**

1. MATERIAL: ACETAL
2. COLOR: NATURAL WHITE
3. O-RING MATERIAL: BUNA-N
4. O-RINGS LUBRICATED WITH FOOD GRADE SILICONE OIL, 350 CST.

**FOR REFERENCE ONLY**

<small>UNLESS OTHERWISE SPECIFIED: DIMENSIONS ARE IN INCHES TOLERANCES: FRACTIONAL ± 1/32 ANGULAR, MACH ± 0.5 BEND ± 2 ONE PLACE DECIMAL ± 0.1 TWO PLACE DECIMAL ± 0.01 THREE PLACE DECIMAL ± 0.005 TWO PLACE DUAL (mm) [± 0.12]</small>	DRAWN	RDA	10/26/17	
	CHECKED	HRC	10/26/17	
	ENG APPR.	HRC	05-15-18	
	MFG APPR.	BDB	05-15-18	
<small>PROPRIETARY AND CONFIDENTIAL THE INFORMATION CONTAINED IN THIS DRAWING IS THE SOLE PROPERTY OF LINKTECH LLC. ANY REPRODUCTION OR DISCLOSURE IN PART OR AS A WHOLE WITHOUT THE WRITTEN PERMISSION OF LINKTECH LLC IS STRICTLY PROHIBITED.</small>	PURCHASING	RK	05-15-18	<b>PART NO:</b> 40AC-PB2-04
<small>COMMENTS:</small>				<b>DESCRIPTION:</b> <b>LinkTech 40AC Series Straight Male, Non-valved, 250 HB, Natural Aceta</b>
<small>SCALE: NTS</small>		<small>WEIGHT:</small>		<small>SIZE DWG. NO. REV</small> <b>C 40AC400150 C</b>
<small>SHEET 1 OF 1</small>				