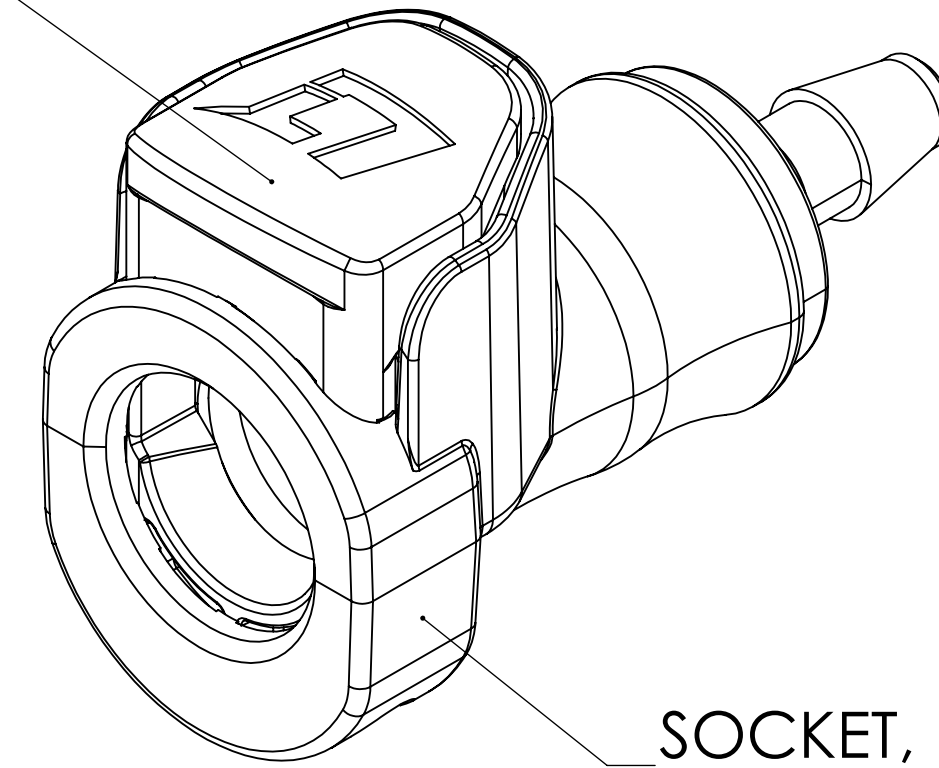
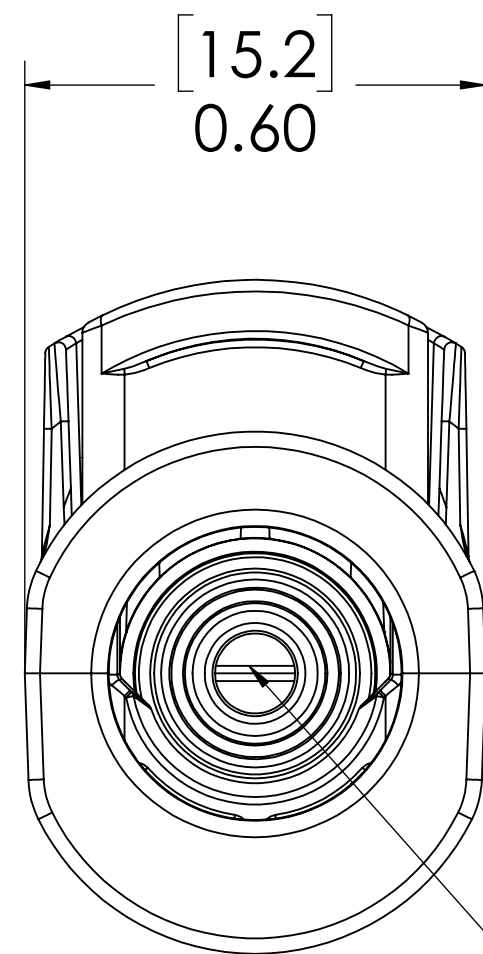


REVISIONS						
SHEET	ZONE	REV.	ECO	DESCRIPTION	DATE	APPROVED
		A		INITIAL RELEASE	03-27-20	FJL

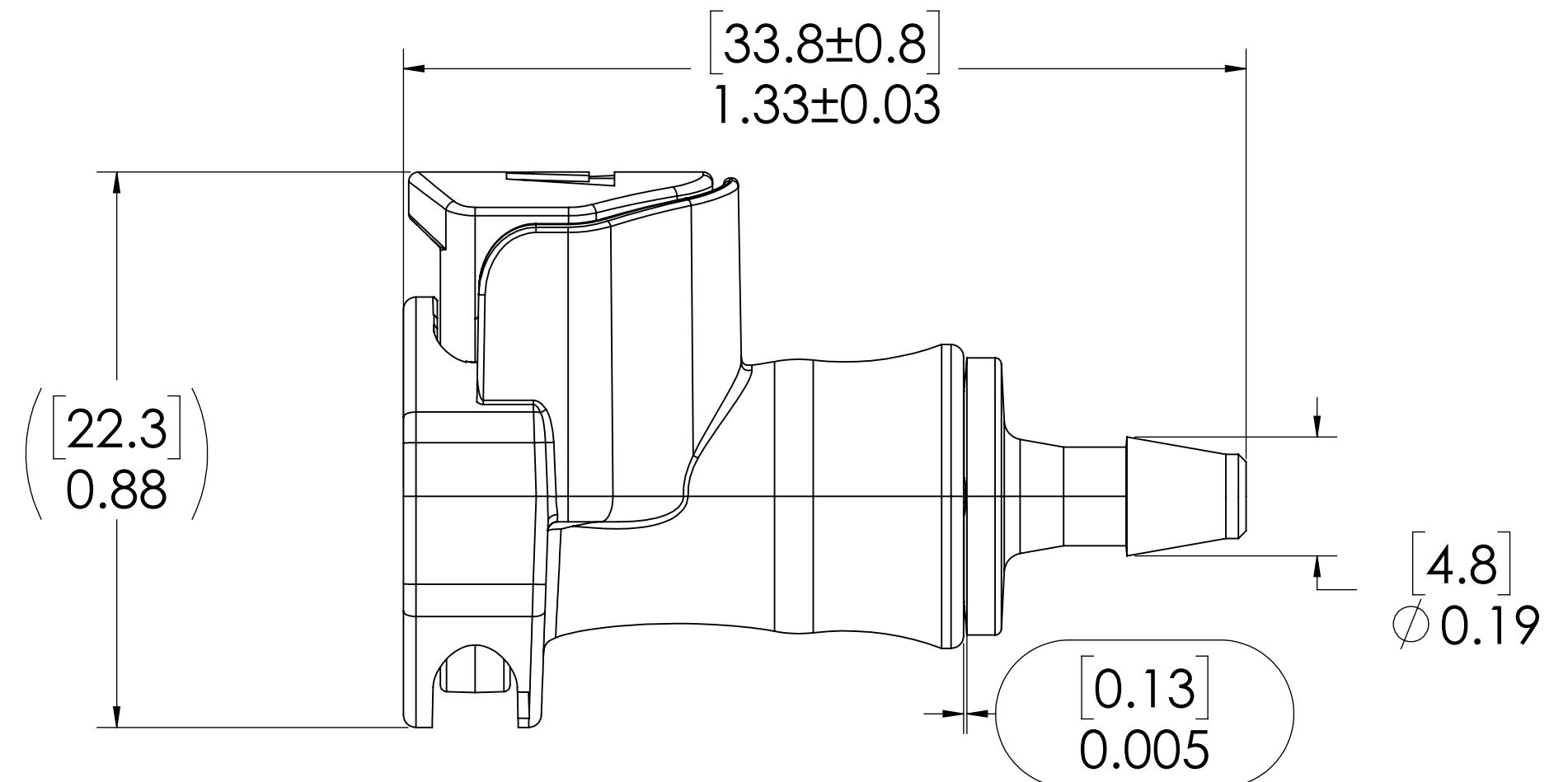
LATCH,
(POLYCARBONATE)



SOCKET,
(POLYCARBONATE)



DUCKBILL,
(SILICONE)



NOTES:

1. BODY AND LATCH MATERIAL: POLYCARBONATE
VALVE MATERIAL: SILICONE 50 SHORE A
2. BODY COLOR: WHITE
VALVE COLOR: WHITE
LATCH COLOR: GREY
3. DUCKBILL VALVE NO LUBRICATION.

UNLESS OTHERWISE SPECIFIED: DIMENSIONS ARE IN INCHES TOLERANCES: FRACTIONAL ± 1/32 ANGULAR: MACH ± 0.5 BEND ± 2 ONE PLACE DECIMAL ± 0.1 TWO PLACE DECIMAL ± 0.01 THREE PLACE DECIMAL ± 0.005 TWO PLACE DUAL (mm) [±0.12]	DRAWN	CKE	1/31/2020	
	CHECKED	HRC	1/31/2020	
	ENG APPR.			
	MFG APPR.			
PROPRIETARY AND CONFIDENTIAL	Q.A.			PART NO: 33PCV-SPS2-02 DESCRIPTION: POLYCARBONATE FEMALE, DUCKBILL, 1/8" 230 SERIES BARB, 33 SERIES
THE INFORMATION CONTAINED IN THIS DRAWING IS THE SOLE PROPERTY OF LINKTECH LLC. ANY REPRODUCTION OR DISCLOSURE IN PART OR AS A WHOLE WITHOUT THE WRITTEN PERMISSION OF LINKTECH LLC IS STRICTLY PROHIBITED.	COMMENTS:			SIZE C DWG. NO. 33PC300000 REV A SCALE: NTS WEIGHT: SHEET 1 OF 1