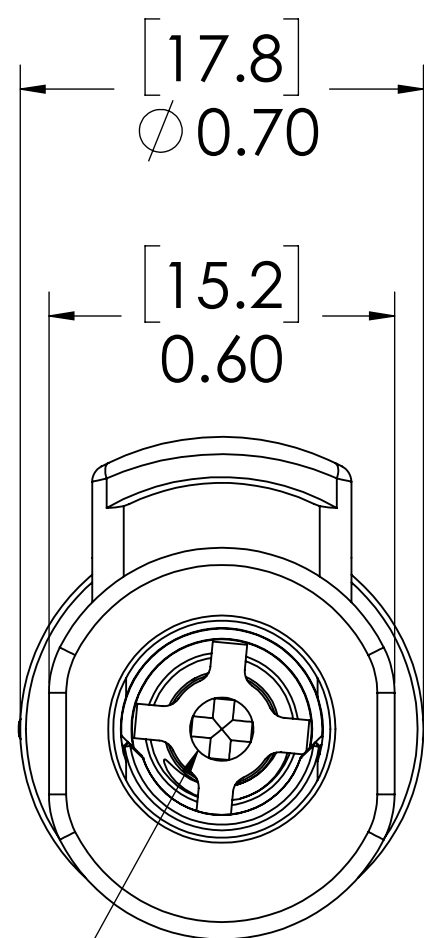
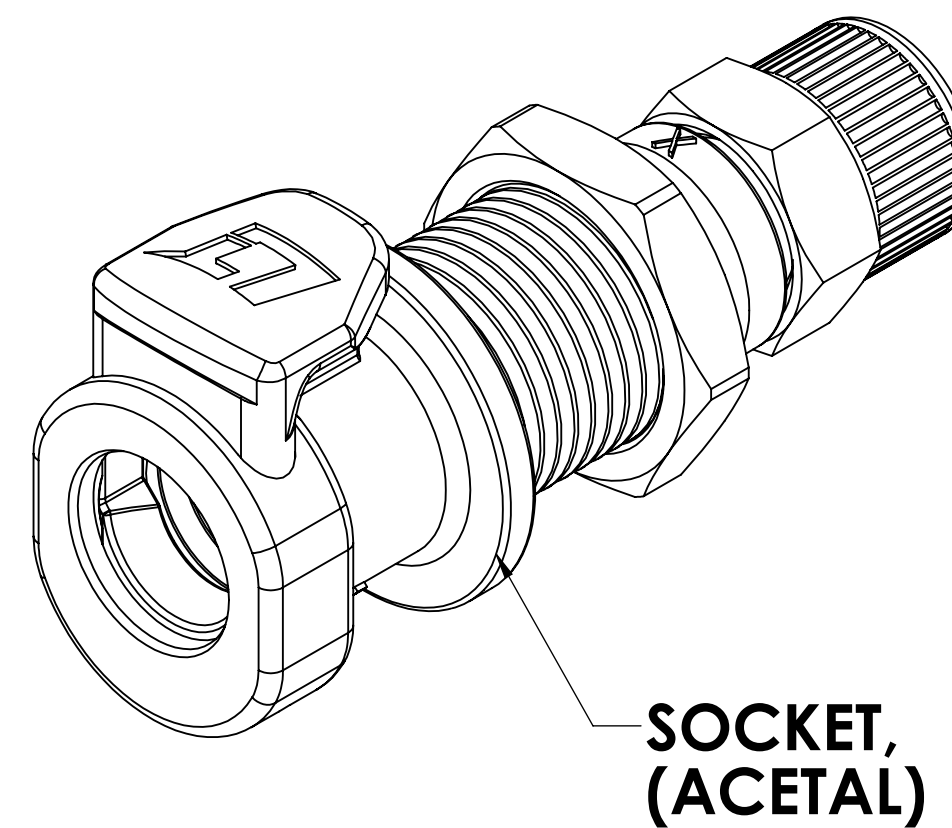
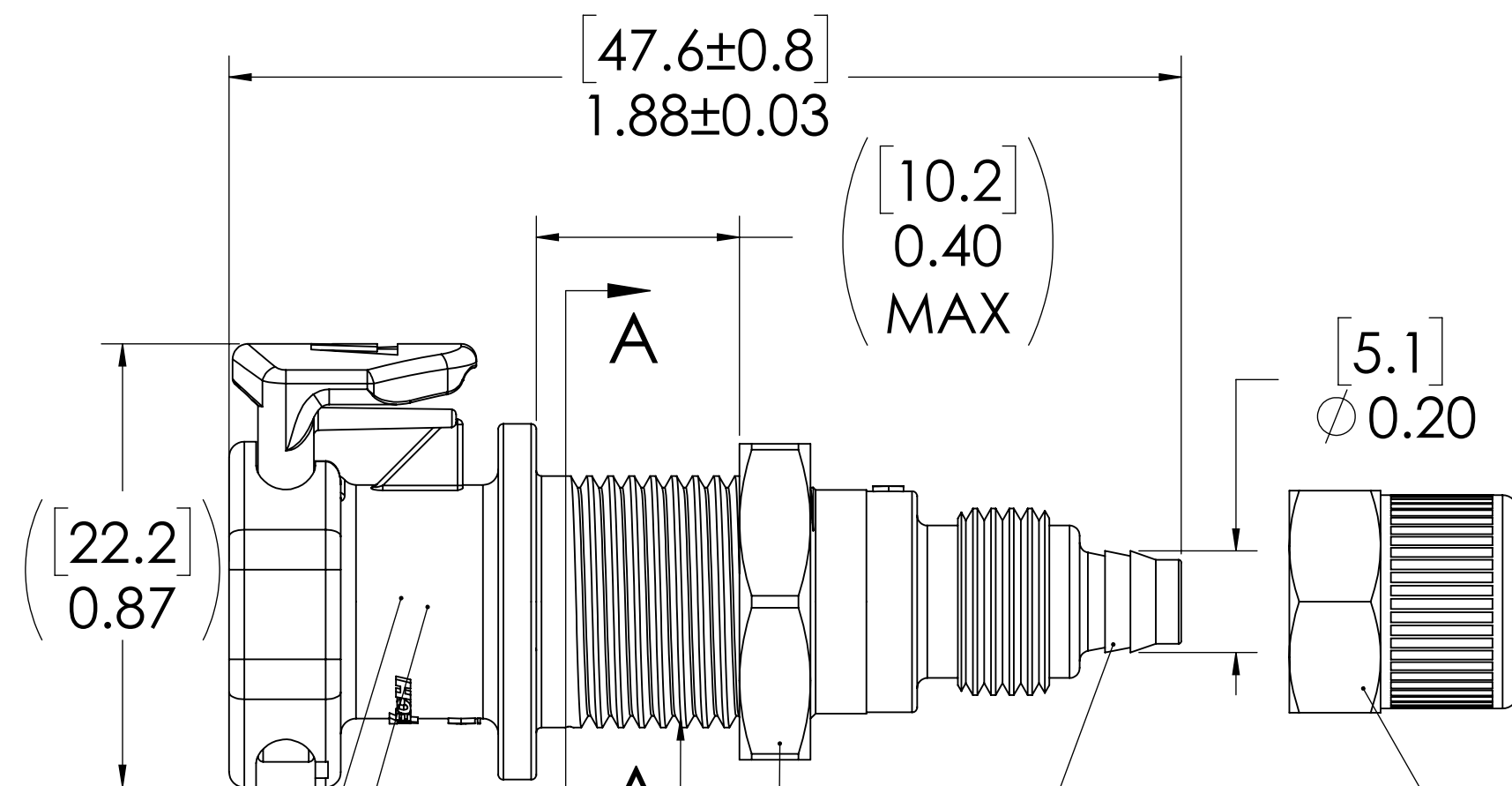


REVISIONS						
SHEET	ZONE	REV.	ECO	DESCRIPTION	DATE	APPROVED
1	ALL	A	50253	2017 FORMAT UPDATE	7/26/2018	HRC



**VALVE,  
(ACETAL)**



**VALVE  
SPRING,  
(STAINLESS STEEL)**

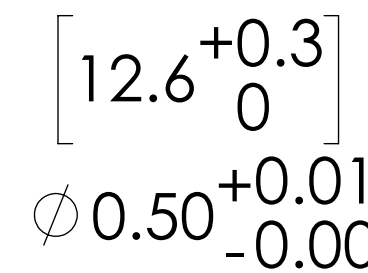
**O-RING  
INTERNAL,  
(BUNA-N)**

**PANEL NUT  
(BRASS, NICKEL PLATED)  
(PACKAGED SEPARATELY)**

**1/2-24 UNS THREAD**

**1/4" TUBE OD**

**PTF NUT  
(BRASS, NICKEL PLATED)  
(PACKAGED SEPARATELY)**



**SECTION A-A  
(PAENL OPENING)**

**NOTES:**

- MATERIAL: ACETAL
- COLOR: NATURAL WHITE
- O-RING MATERIAL: BUNA-N
- O-RINGS LUBRICATED WITH FOOD GRADE SILICONE OIL, 350 CST.

**FOR REFERENCE ONLY**

UNLESS OTHERWISE SPECIFIED:		NAME	DATE	
DIMENSIONS ARE IN INCHES TOLERANCES: FRACTIONAL ± 1/32 ANGULAR: MACH ± 0.5 BEND ± 2 ONE PLACE DECIMAL ± 0.1 TWO PLACE DECIMAL ± 0.01 THREE PLACE DECIMAL ± 0.005 TWO PLACE DUAL (mm) [± 0.12]		DRAWN	RDA 7/5/2018	
		CHECKED	HRC 7/5/2018	
		ENG APPR.	HRC 7/26/18	
		MFG APPR.	BDB 7/26/18	
PROPRIETARY AND CONFIDENTIAL		PRODUCTION	LS 7/26/18	DESCRIPTION: LinkTech 30AC Series Panel Mt. Female, Valved, 250 PTF, Natural Acetal
THE INFORMATION CONTAINED IN THIS DRAWING IS THE SOLE PROPERTY OF LINKTECH LLC. ANY REPRODUCTION OR DISCLOSURE IN PART OR AS A WHOLE WITHOUT THE WRITTEN PERMISSION OF LINKTECH LLC IS STRICTLY PROHIBITED.		COMMENTS:		
SIZE	DWG. NO.	REV		
C	30AC300112	A		
SCALE: NTS	WEIGHT:			SHEET 1 OF 1