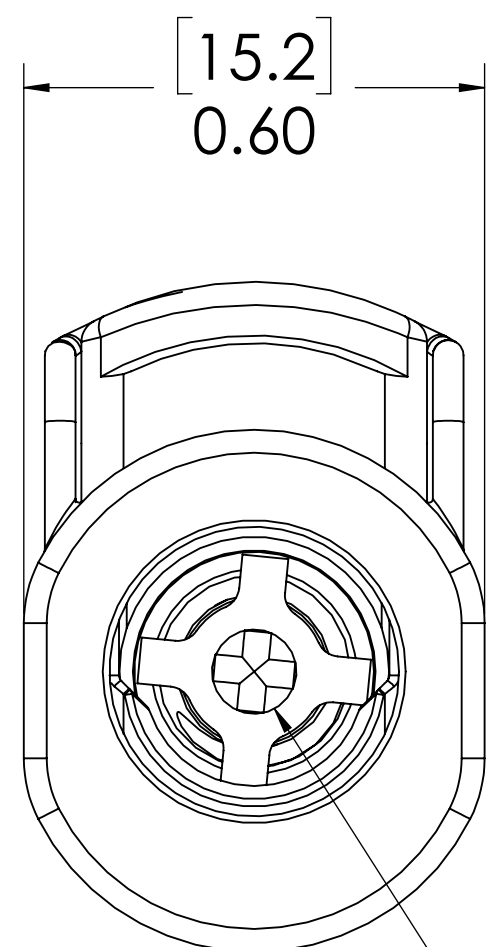
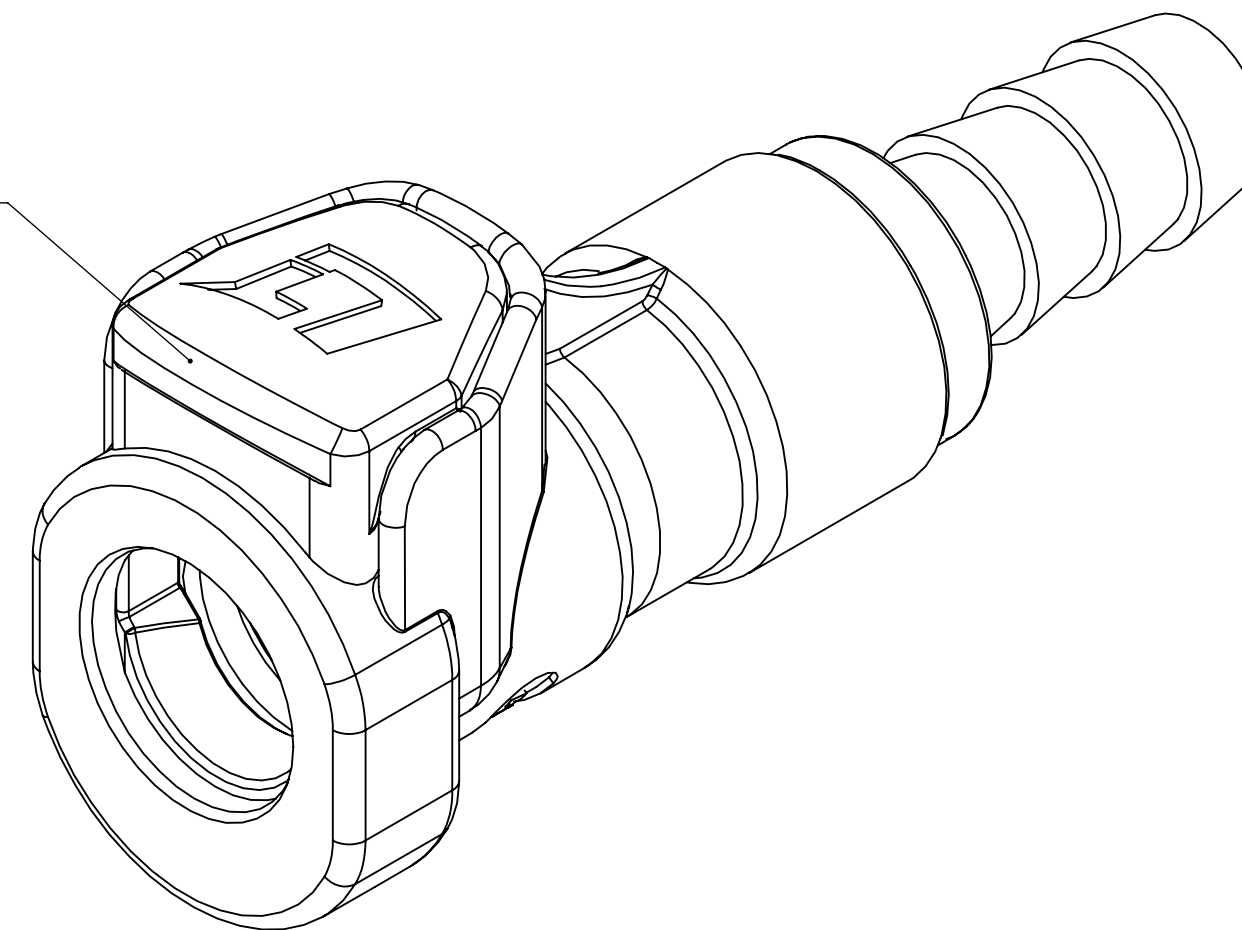
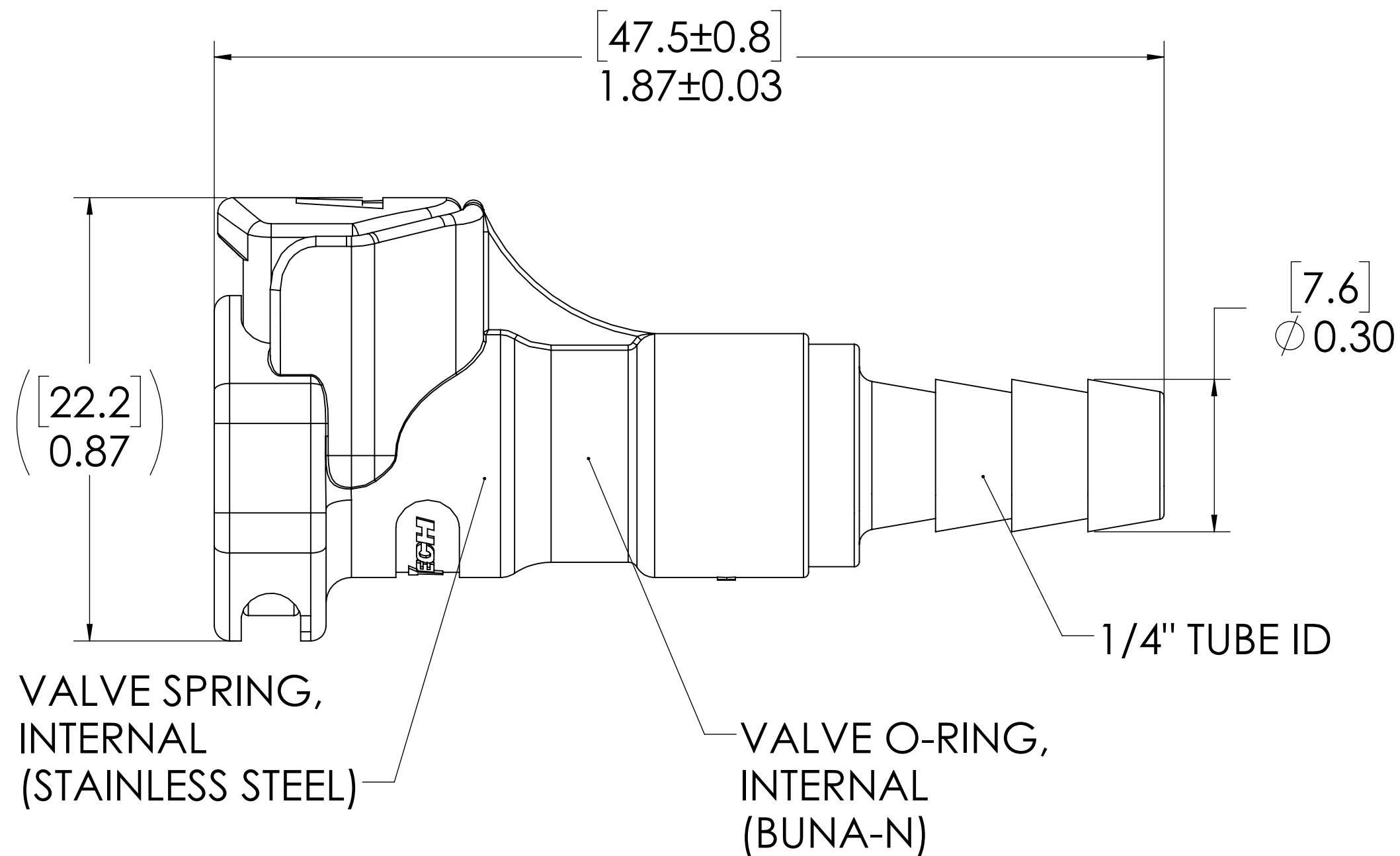


REVISIONS						
SHEET	ZONE	REV.	ECO	DESCRIPTION	DATE	APPROVED
1	ALL	NC	50225	INITIAL RELEASE	3/1/2017	HRC
1	ALL	A	50253	DWG FORMAT UPDATE	4/3/2018	HRC

SOCKET,
(ACETAL)



VALVE,
(ACETAL)



NOTES:

- MATERIAL: ACETAL
- COLOR: NATURAL
- O-RING MATERIAL: BUNA-N
- O-RINGS LUBRICATED WITH FOOD GRADE SILICONE OIL, 350 CST.

FOR REFERENCE ONLY

UNLESS OTHERWISE SPECIFIED:		NAME	DATE	
DIMENSIONS ARE IN INCHES TOLERANCES: FRACTIONAL ± 1/32 ANGULAR: MACH ± 0.5 BEND ± 2 ONE PLACE DECIMAL ± 0.1 TWO PLACE DECIMAL ± 0.01 THREE PLACE DECIMAL ± 0.005 TWO PLACE DUAL (mm) [± 0.12]		DRAWN	HRC 3/7/16	
PROPRIETARY AND CONFIDENTIAL		CHECKED	HRC 3/7/16	
THE INFORMATION CONTAINED IN THIS DRAWING IS THE SOLE PROPERTY OF LINKTECH LLC. ANY REPRODUCTION OR DISCLOSURE IN PART OR AS A WHOLE WITHOUT THE WRITTEN PERMISSION OF LINKTECH LLC IS STRICTLY PROHIBITED.		ENG APPR.	HRC 04-03-18	
		MFG APPR.	BDB 04-03-18	
		PURCHASING	RK 04-03-18	DESCRIPTION: LinkTech 30AC Series Straight Female, Valved, 1/4" HB, Natural Acetal
		COMMENTS:		SIZE DWG. NO. REV C 30AC300064 A
				SCALE: NTS WEIGHT: SHEET 1 OF 1