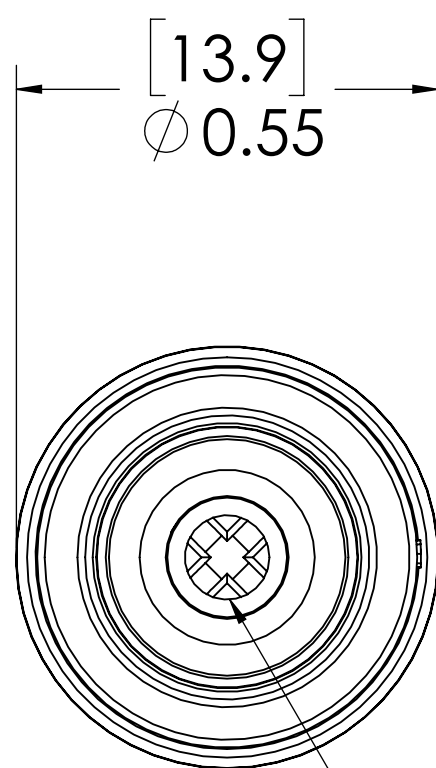
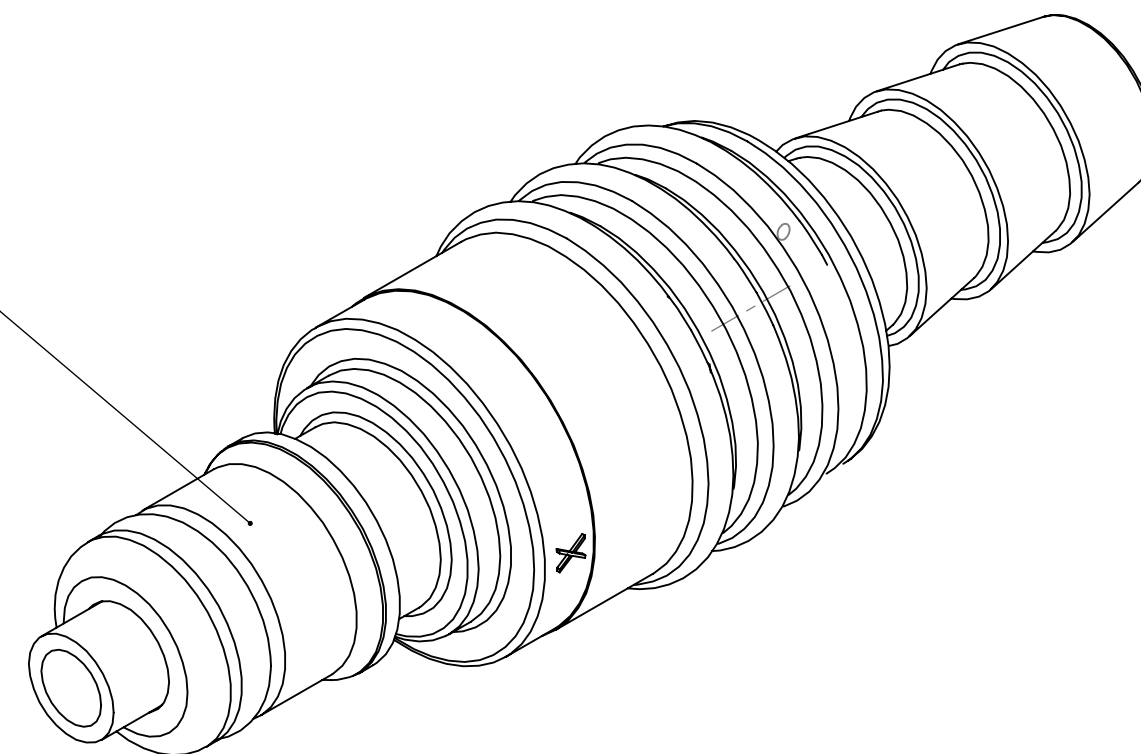
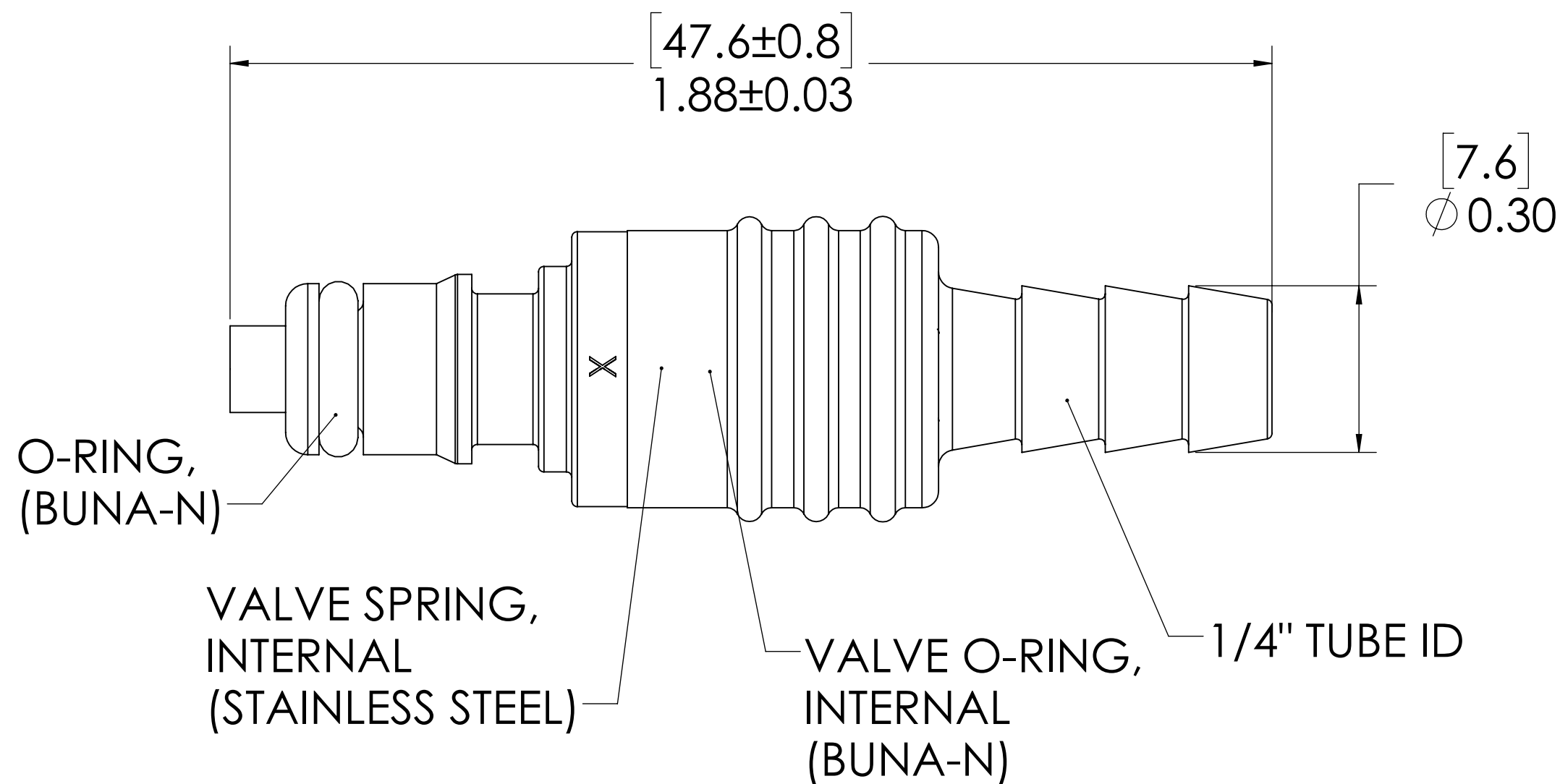


REVISIONS						
SHEET	ZONE	REV.	ECO	DESCRIPTION	DATE	APPROVED
1	ALL	A	50253	INITIAL RELEASE	4/3/2018	HRC

PLUG,
(ACETAL)



VALVE,
(ACETAL)



NOTES:

- MATERIAL: ACETAL
- COLOR: NATURAL
- O-RING MATERIAL: BUNA-N
- O-RINGS LUBRICATED WITH FOOD GRADE SILICONE OIL, 350 CST.

FOR REFERENCE ONLY

<small>UNLESS OTHERWISE SPECIFIED: DIMENSIONS ARE IN INCHES TOLERANCES: FRACTIONAL ±1/32 ANGULAR, MACH ±0.5 BEND ±2 ONE PLACE DECIMAL ±0.1 TWO PLACE DECIMAL ±0.01 THREE PLACE DECIMAL ±0.005 TWO PLACE DUAL (mm) [±0.12]</small>	DRAWN	CGS	3/21/18	
	CHECKED	HRC	3/21/18	
	ENG APPR.	HRC	04-03-18	
	MFG APPR.	BDB	04-03-18	
<small>PROPRIETARY AND CONFIDENTIAL THE INFORMATION CONTAINED IN THIS DRAWING IS THE SOLE PROPERTY OF LINKTECH LLC. ANY REPRODUCTION OR DISCLOSURE IN PART OR AS A WHOLE WITHOUT THE WRITTEN PERMISSION OF LINKTECH LLC IS STRICTLY PROHIBITED.</small>	PURCHASING	RK	04-03-18	PART NO: 30ACV-PB2-04 DESCRIPTION: LinkTech 30AC Series Straight Male, Valved, 1/4" HB, Natural Acetal
<small>SCALE: NTS</small>		<small>COMMENTS:</small>	<small>REVISIONS:</small>	<small>REV</small>
C	30AC300110	A		
<small>WEIGHT:</small>	<small>SHEET 1 OF 1</small>			