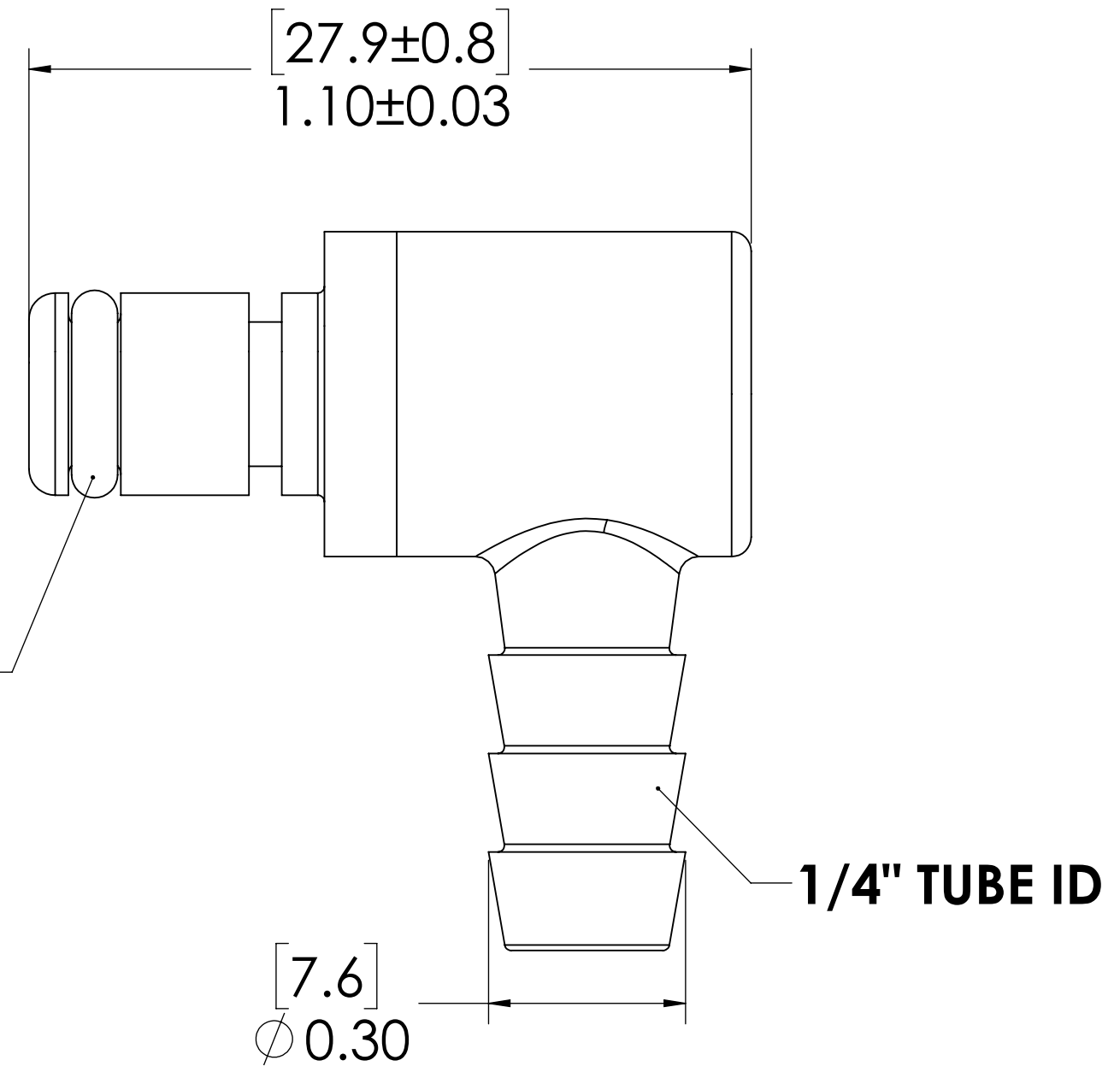
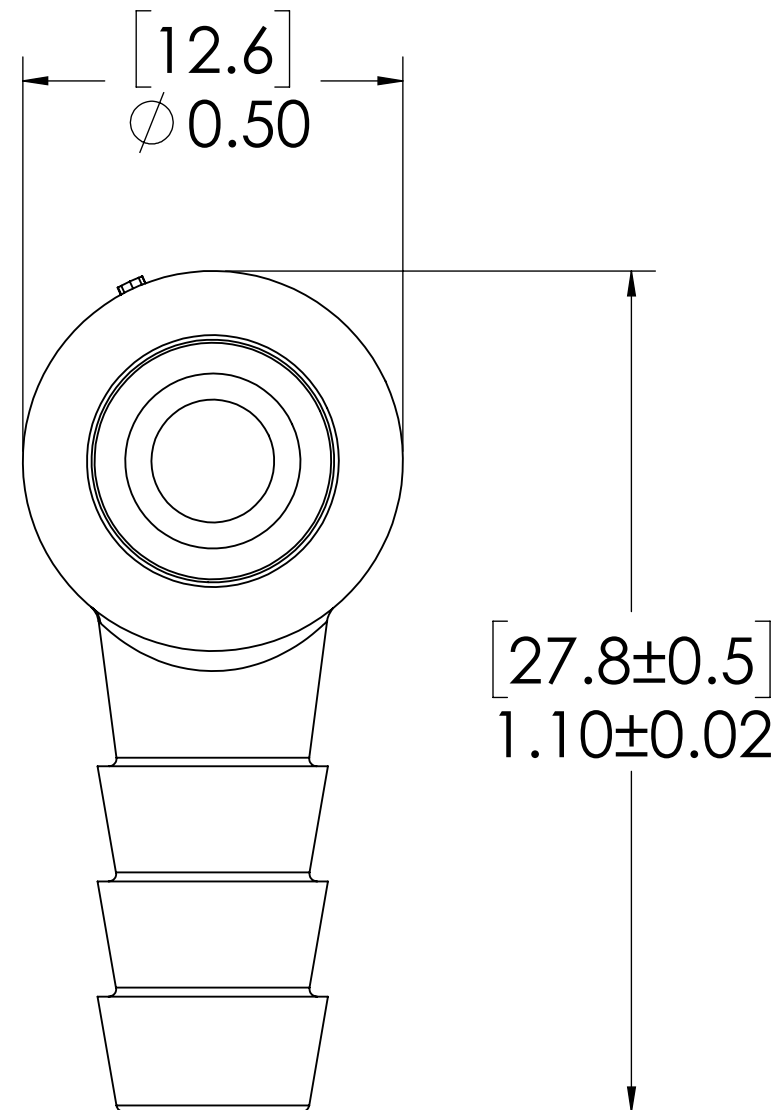
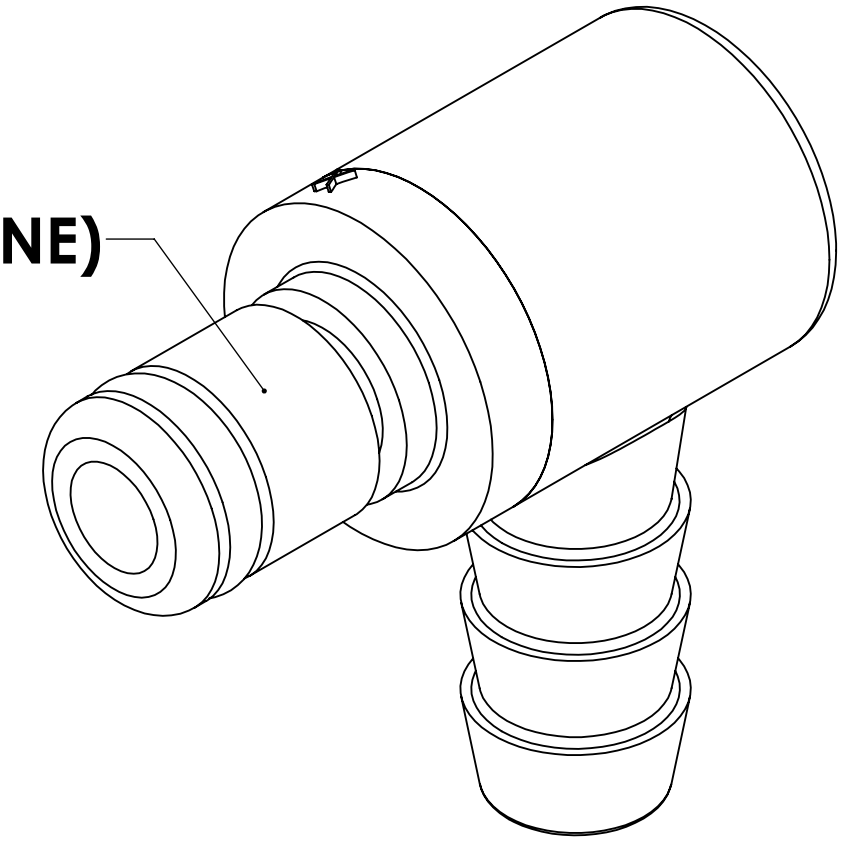


REVISIONS						
SHEET	ZONE	REV.	ECO	DESCRIPTION	DATE	APPROVED
1	ALL	A	50253	UPDATE DWG TO CURRENT FORMAT & STANDARDS	10/30/2018	HRC


**PLUG
(POLYPROPYLENE)**



NOTES:

1. MATERIAL: POLYPROPYLENE
2. COLOR: MOLDED ALMOND
3. O-RING MATERIAL: EPDM
4. O-RINGS LUBRICATED WITH FOOD GRADE SILICONE OIL, 350 CST.

FOR REFERENCE ONLY

<small>UNLESS OTHERWISE SPECIFIED: DIMENSIONS ARE IN INCHES TOLERANCES: FRACTIONAL ± 1/32 ANGULAR: MACH ± 0.5 BEND ± 2 ONE PLACE DECIMAL ± 0.1 TWO PLACE DECIMAL ± 0.01 THREE PLACE DECIMAL ± 0.005 TWO PLACE DUAL (mm) [±0.12]</small>	DRAWN	LMP	6/11/2018	 PART NO: 20PPX-PE4-04MALD <small>DESCRIPTION: LinkTech 20PP Series, Elbow Plug Male, Non-Valved, 1/4" HB, Molded Almond Color, Polypropylene</small>						
	CHECKED	HRC	6/11/2018							
	ENG APPR.	HRC	10/30/18							
	MFG APPR.	BDB	10/30/18							
<small>PROPRIETARY AND CONFIDENTIAL THE INFORMATION CONTAINED IN THIS DRAWING IS THE SOLE PROPERTY OF LINKTECH LLC. ANY REPRODUCTION OR DISCLOSURE IN PART OR AS A WHOLE WITHOUT THE WRITTEN PERMISSION OF LINKTECH LLC IS STRICTLY PROHIBITED.</small>	PRODUCTION	LS	10/30/18	<small>COMMENTS:</small> <table border="1"> <tr> <td>SIZE</td> <td>DWG. NO.</td> <td>REV</td> </tr> <tr> <td>C</td> <td>20PP200211</td> <td>A</td> </tr> </table>	SIZE	DWG. NO.	REV	C	20PP200211	A
SIZE	DWG. NO.	REV								
C	20PP200211	A								
SCALE: NTS			WEIGHT:	SHEET 1 OF 1						