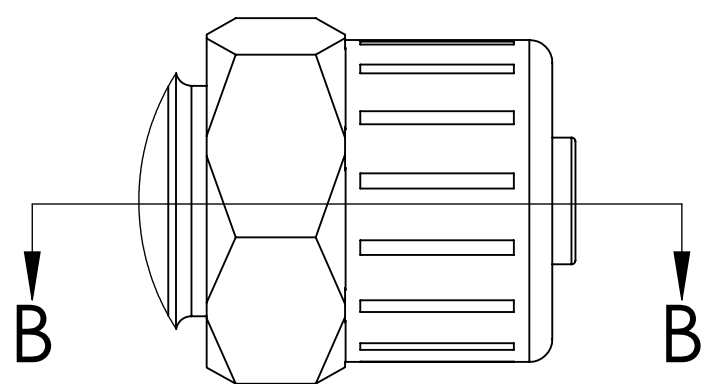
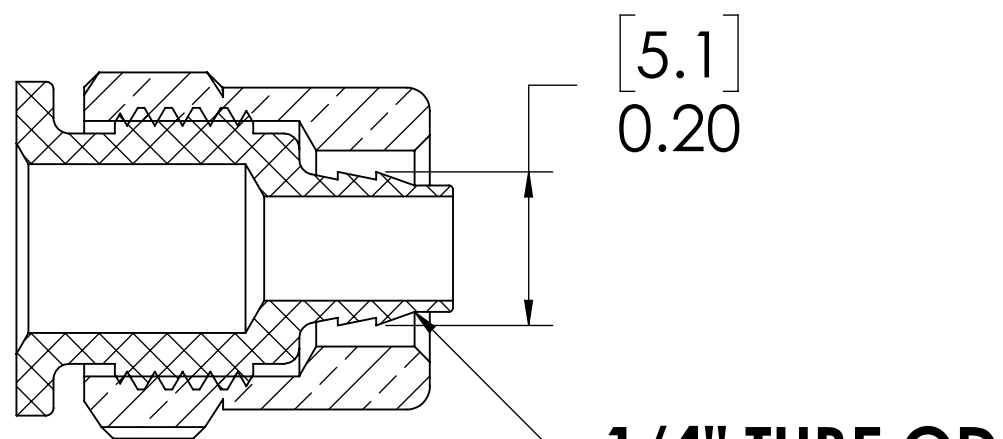


REVISIONS						
SHEET	ZONE	REV.	ECO	DESCRIPTION	DATE	APPROVED
1	ALL	A	50253	UPDATE DWG TO CURRENT FORMAT & STANDARDS	10/30/2018	HRC

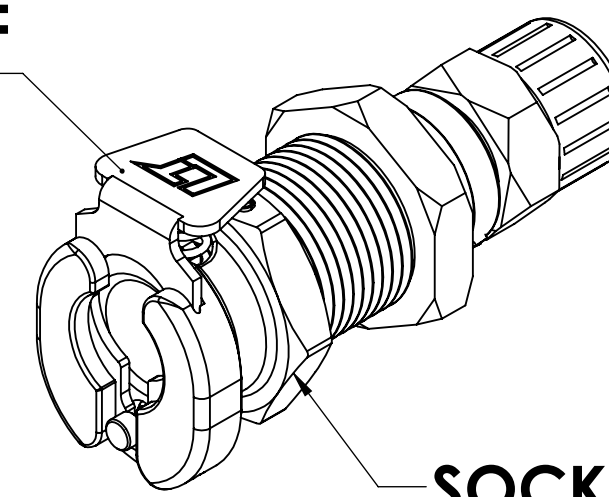


DETAIL A

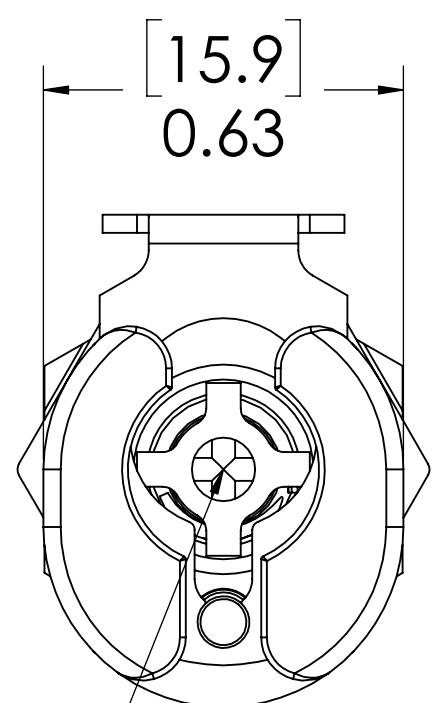


SECTION B-B

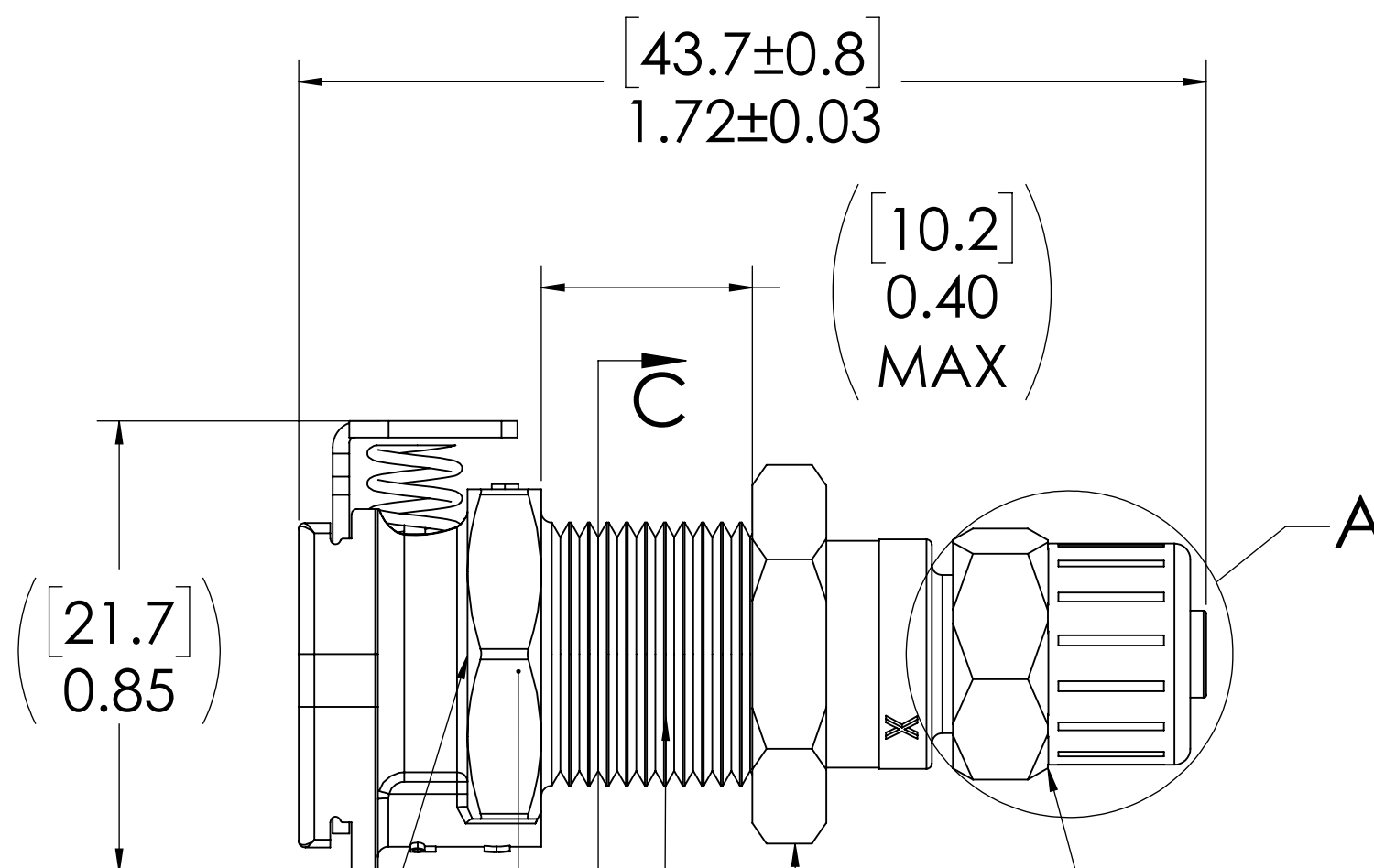
**LATCH HARDWARE
(STAINLESS STEEL)**



**SOCKET
(POLYPROPYLENE)**



**VALVE
(POLYPROPYLENE)**



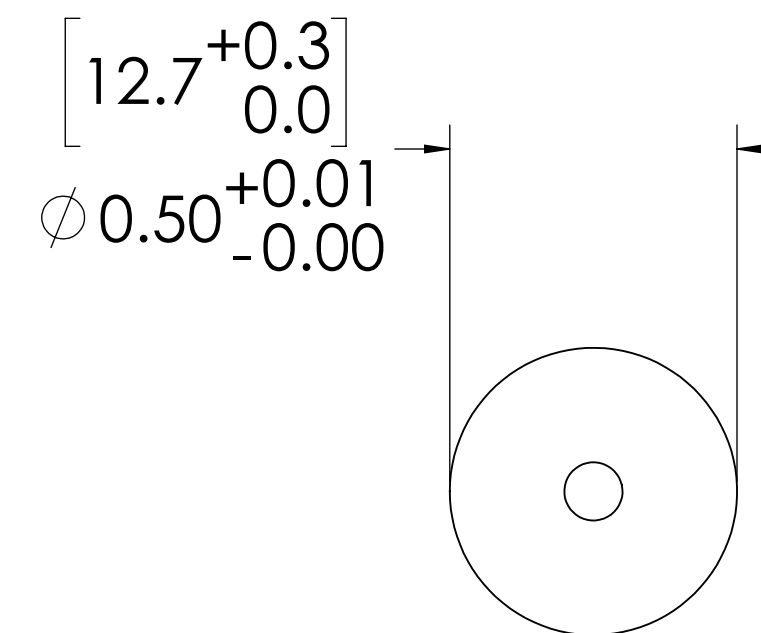
**VALVE O-RING
INTERNAL
(EPDM)**

**PTF NUT
(BRASS, NICKEL PLATED)
(PACKAGED SEPARATELY)**

**PANEL NUT
(BRASS, NICKEL PLATED)
(PACKAGED SEPARATELY)**

1/2\"-24 UNS THREAD

**VALVE SPRING
INTERNAL
(STAINLESS STEEL)**



**PANEL OPENING
(SECTION C-C)**

NOTES:

- MATERIAL: POLYPROPYLENE
- COLOR: GREY
- O-RING MATERIAL: EPDM
- O-RINGS LUBRICATED WITH FOOD GRADE SILICONE OIL, 350 CST.

FOR REFERENCE ONLY

UNLESS OTHERWISE SPECIFIED:		NAME	DATE	
DIMENSIONS ARE IN INCHES TOLERANCES: FRACTIONAL ±1/32 ANGULAR: MACH ±0.5 BEND ±2 ONE PLACE DECIMAL ±0.1 TWO PLACE DECIMAL ±0.01 THREE PLACE DECIMAL ±0.005 TWO PLACE DUAL (mm) [±0.12]		DRAWN	LMP 6/7/2018	
PROPRIETARY AND CONFIDENTIAL		CHECKED	HRC 6/7/2018	
THE INFORMATION CONTAINED IN THIS DRAWING IS THE SOLE PROPERTY OF LINKTECH LLC. ANY REPRODUCTION OR DISCLOSURE IN PART OR AS A WHOLE WITHOUT THE WRITTEN PERMISSION OF LINKTECH LLC IS STRICTLY PROHIBITED.		ENG APPR.	HRC 10/30/18	
		MFG APPR.	BDB 10/30/18	
		PRODUCTION	LS 10/30/18	SIZE DWG. NO. REV C 20PP200084 A
		COMMENTS:		SCALE: NTS WEIGHT: SHEET 1 OF 1