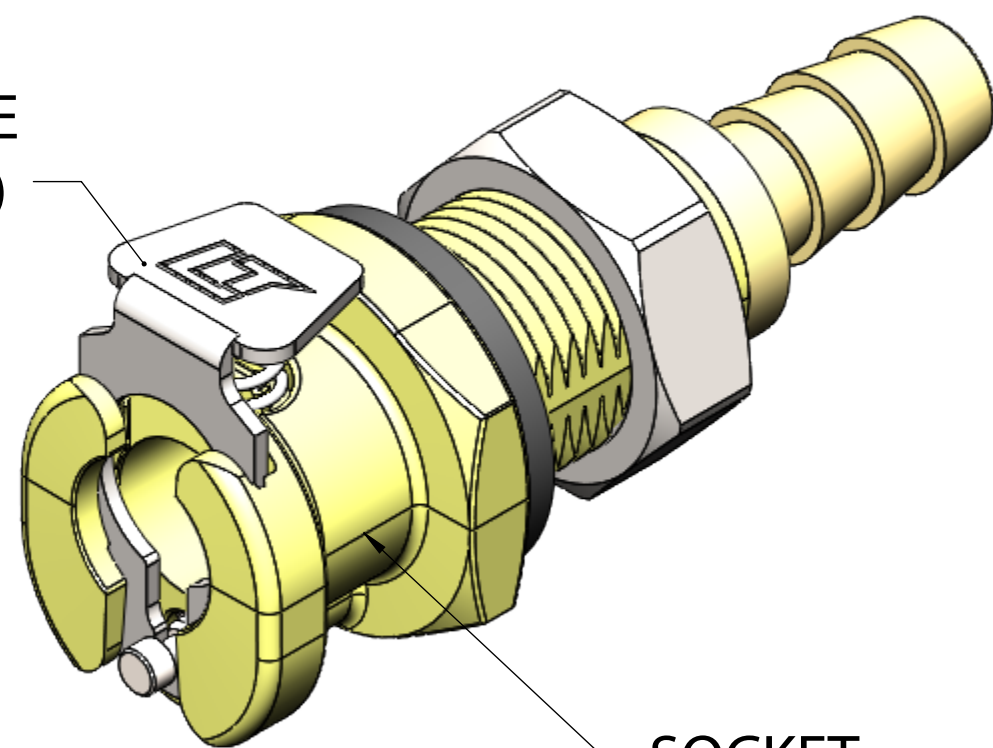
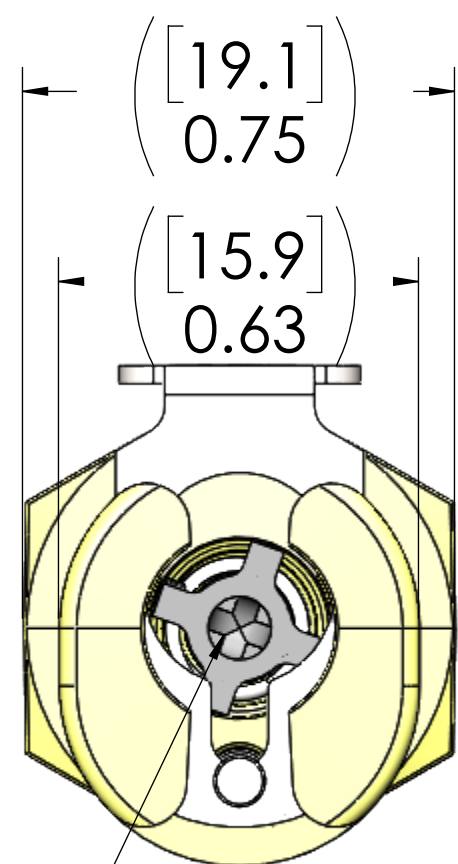


REVISIONS			
REV.	DESCRIPTION	DATE	APPROVED
A	INITIAL RELEASE	04-05-22	FJL

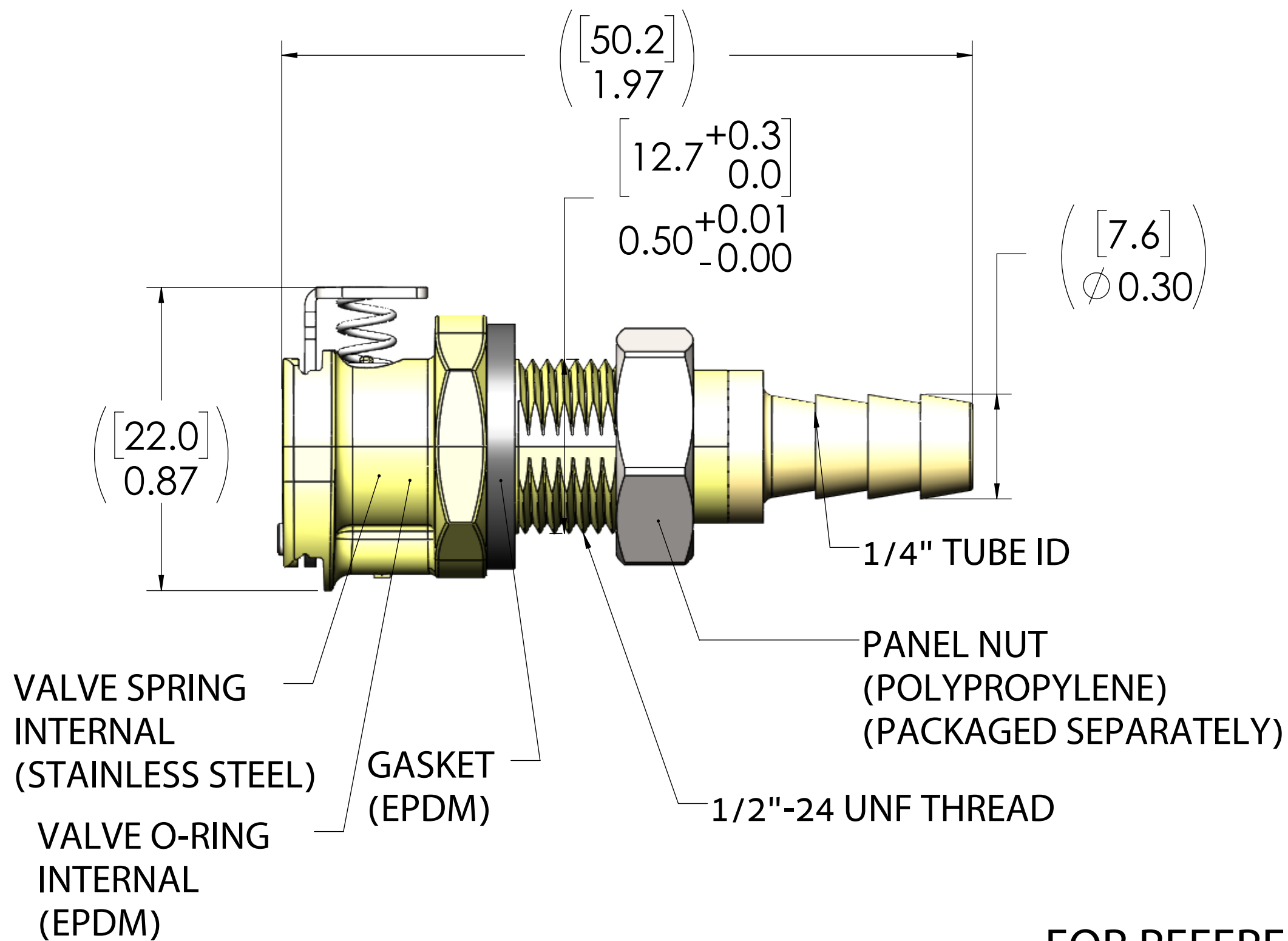
LATCH HARDWARE
(STAINLESS STEEL)



SOCKET
(POLYPROPYLENE)



VALVE
(POLYPROPYLENE)



VALVE SPRING
INTERNAL
(STAINLESS STEEL)

GASKET
(EPDM)

VALVE O-RING
INTERNAL
(EPDM)

1/4" TUBE ID

PANEL NUT
(POLYPROPYLENE)
(PACKAGED SEPARATELY)

1/2"-24 UNF THREAD

FOR REFERENCE ONLY

<small>UNLESS OTHERWISE SPECIFIED: DIMENSIONS ARE IN INCHES TOLERANCES: FRACTIONAL ± 1/32 ANGULAR: MACH ± 0.5 BEND ± 2 ONE PLACE DECIMAL ± 0.1 TWO PLACE DECIMAL ± 0.01 THREE PLACE DECIMAL ± 0.005 TWO PLACE DUAL (mm) ± 0.12</small>	DRAWN	NAME	DATE	
	CHECKED	CTH	12/10/20	
	ENG APPR.			
	MFG APPR.			
PRODUCTION				PART NO: 20PPV-SE3-04GSPN
<small>PROPRIETARY AND CONFIDENTIAL THE INFORMATION CONTAINED IN THIS DRAWING IS THE SOLE PROPERTY OF LINKTECH LLC. ANY REPRODUCTION OR DISCLOSURE IN PART OR AS A WHOLE WITHOUT THE WRITTEN PERMISSION OF LINKTECH LLC IS STRICTLY PROHIBITED.</small>	COMMENTS:			DESCRIPTION: LinkTech 20PP Series Panel Mt. Female, Valved, 1/4" HB, Gasket Seal, Plastic Nut, Polypropylene
SIZE C	DWG. NO. 1190901	REV A		
SCALE: NTS	WEIGHT:	SHEET 1 OF 1		