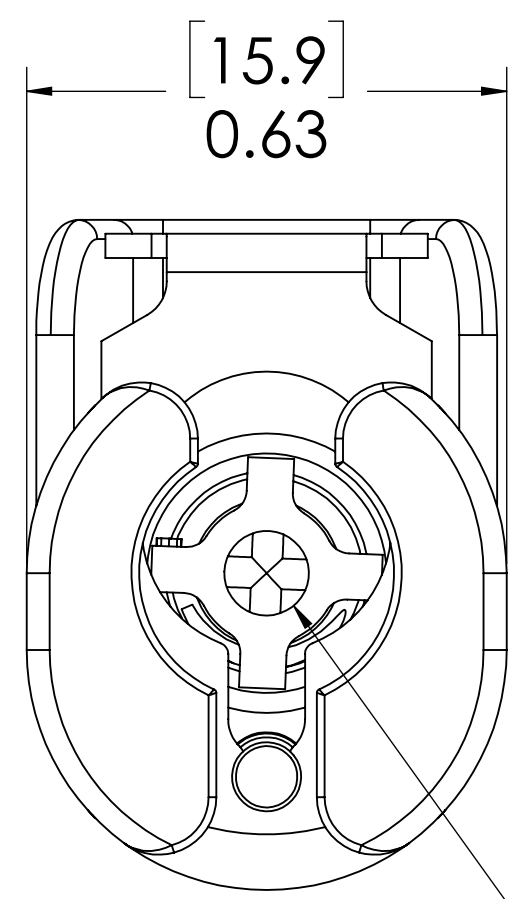
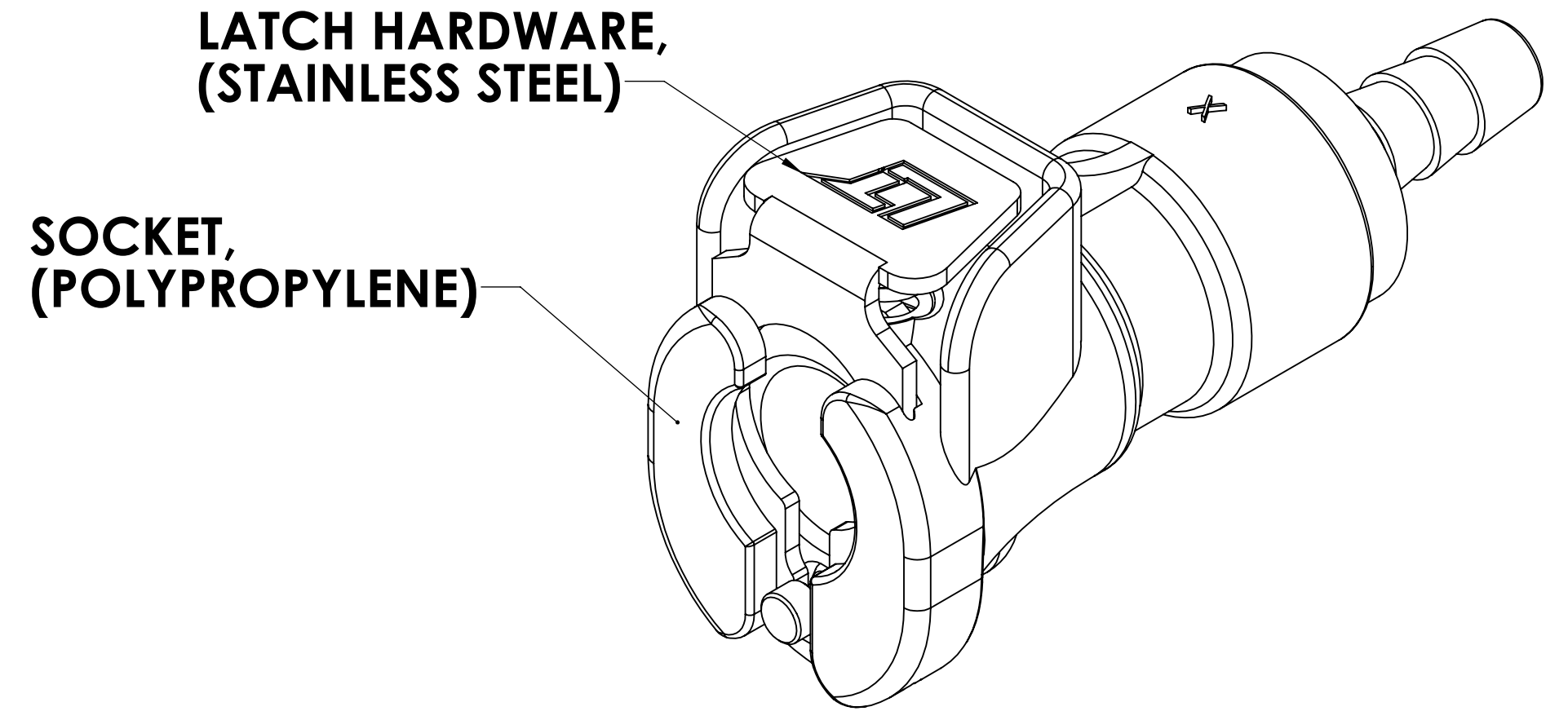
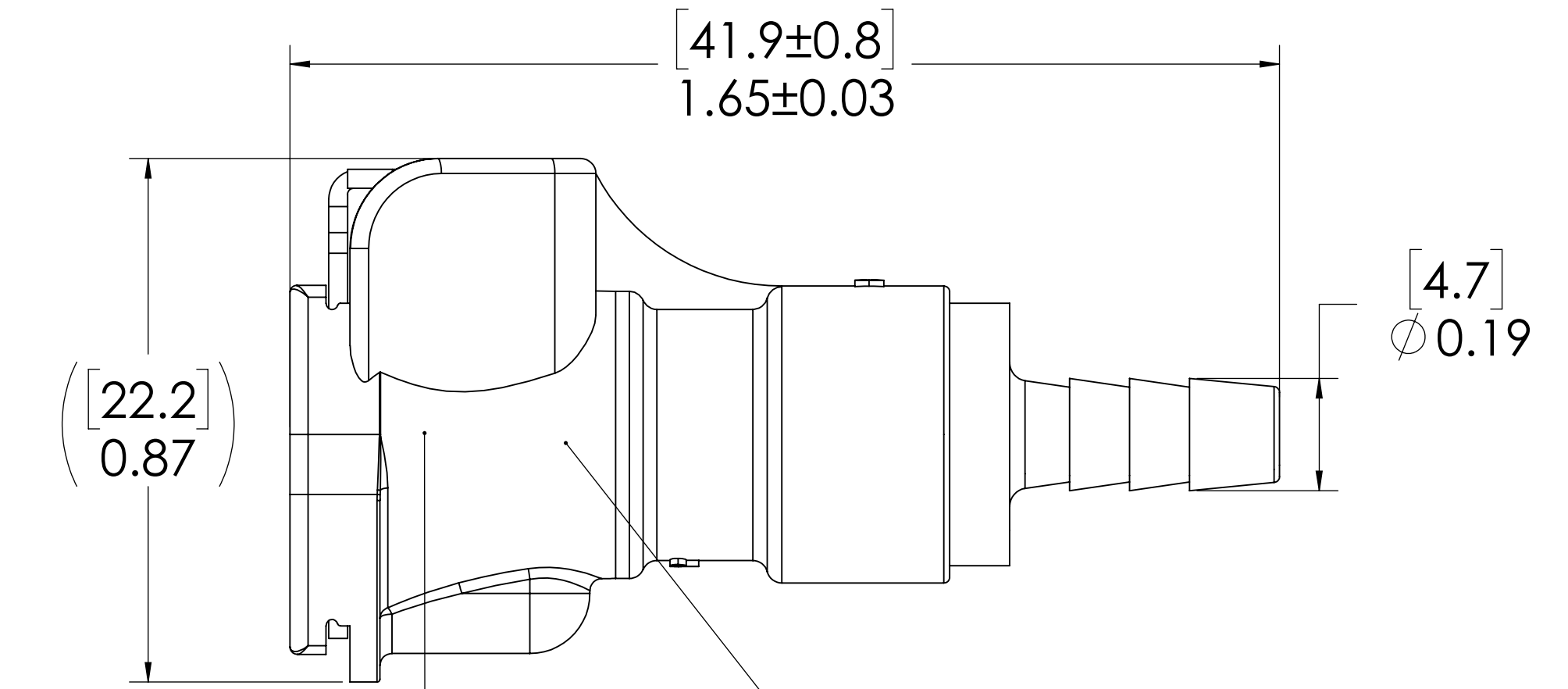


REVISIONS						
SHEET	D-3	REV.	ECO	DESCRIPTION	DATE	APPROVED
1	D-3	A	...	CHANGED O-RING FROM FOOD GRADE EPDM TO PEROXIDE CURE EPDM	9/24/2010	DHJ
1	ALL	B	50253	2017 FORMAT UPDATE	6/28/2018	HRC



VALVE, (POLYPROPYLENE)



VALVE O-RING, INTERNAL (EPDM)

VALVE SPRING, INTERNAL (STAINLESS STEEL)

- NOTES:**
1. MATERIAL: POLYPROPYLENE
 2. COLOR: GREY
 3. O-RING MATERIAL: EPDM
 4. O-RINGS LUBRICATED WITH FOOD GRADE SILICONE OIL, 350 CST.

FOR REFERENCE ONLY

<small>UNLESS OTHERWISE SPECIFIED: DIMENSIONS ARE IN INCHES TOLERANCES: FRACTIONAL ± 1/32 ANGULAR: MACH ± 0.5 BEND ± 2 ONE PLACE DECIMAL ± 0.1 TWO PLACE DECIMAL ± 0.01 THREE PLACE DECIMAL ± 0.005 TWO PLACE DUAL (mm) [± 0.12]</small>	DRAWN	DHJ	8/25/10	
	CHECKED	DHJ	8/25/10	
	ENG APPR.	HRC	6/28/18	
	MFG APPR.	BDB	6/28/18	
PRODUCTION	LS	6/28/18		PART NO: 20PPV-SE2-02 DESCRIPTION: LinkTech 20PP Series Straight Female, Valved, 1/8" HB, Molded Grey Color, Polypropylene
<small>PROPRIETARY AND CONFIDENTIAL THE INFORMATION CONTAINED IN THIS DRAWING IS THE SOLE PROPERTY OF LINKTECH LLC. ANY REPRODUCTION OR DISCLOSURE IN PART OR AS A WHOLE WITHOUT THE WRITTEN PERMISSION OF LINKTECH LLC IS STRICTLY PROHIBITED.</small>	COMMENTS:			SIZE DWG. NO. REV C 20PP200073 B
SCALE: NTS		WEIGHT:	SHEET 1 OF 1	