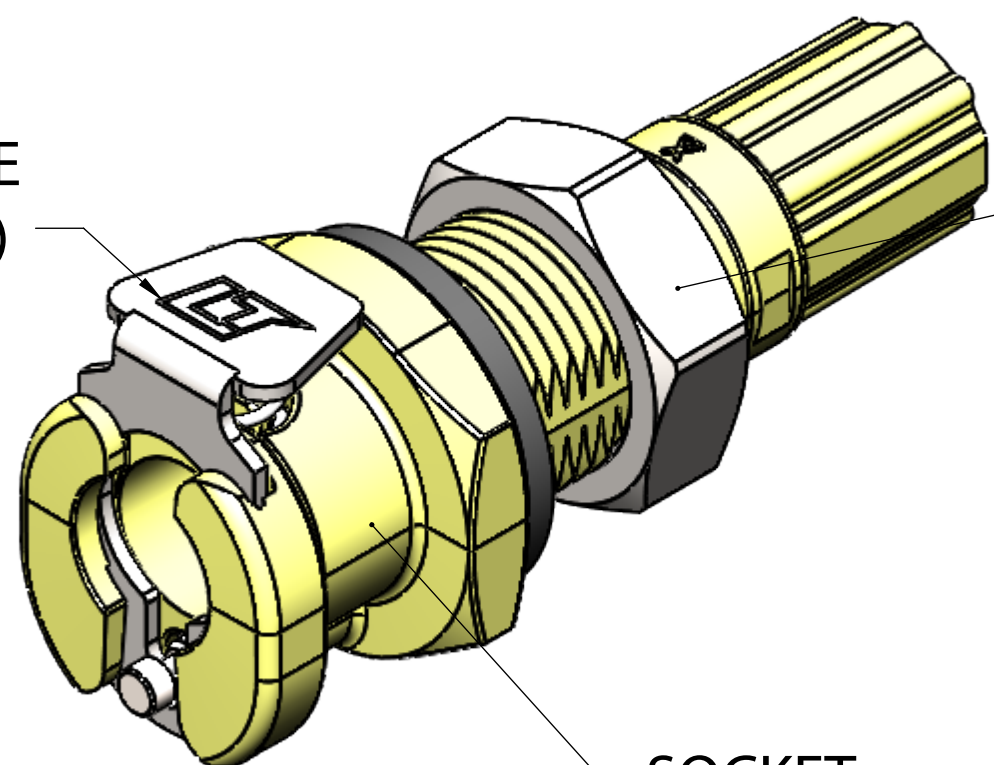


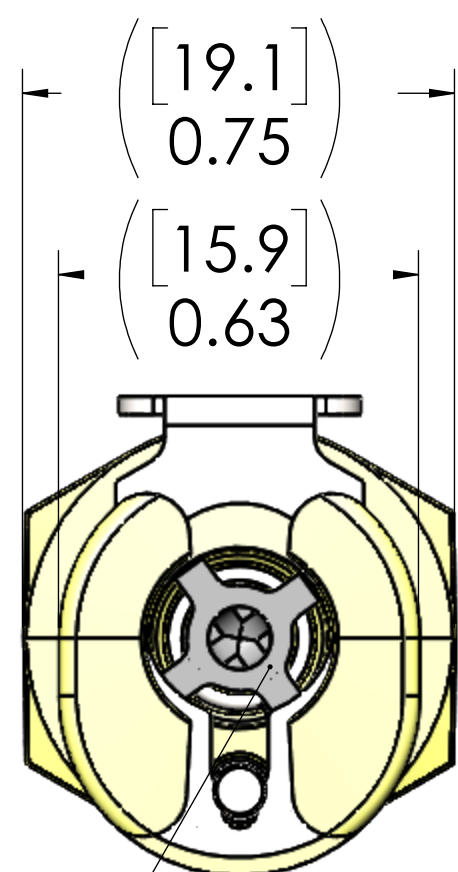
| REVISIONS |                 |          |          |
|-----------|-----------------|----------|----------|
| REV.      | DESCRIPTION     | DATE     | APPROVED |
| A         | INITIAL RELEASE | 04-05-22 | FJL      |

LATCH HARDWARE  
(STAINLESS STEEL)

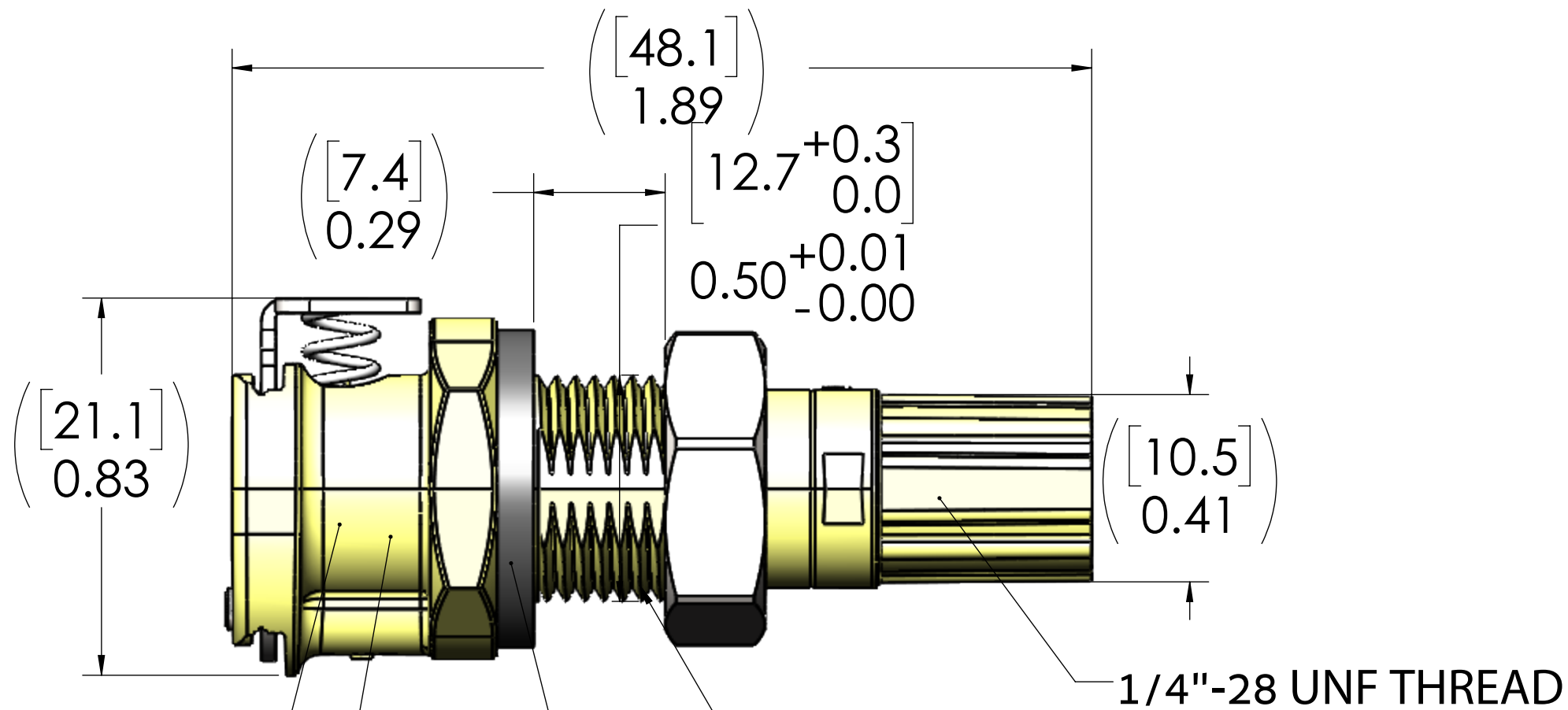


PANEL NUT  
(POLYPROPYLENE)  
(PACKAGED  
SEPARATELY)

SOCKET  
(POLYPROPYLENE)



VALVE  
(POLYPROPYLENE)



VALVE SPRING  
INTERNAL  
(STAINLESS STEEL)

VALVE O-RING  
INTERNAL  
(EPDM)

GASKET  
(EPDM)

1/4"-28 UNF THREAD  
1/2"-24 UNF THREAD

**FOR REFERENCE ONLY**

|   |                  |                            |                 |   |
|---|------------------|----------------------------|-----------------|---|
| <small>UNLESS OTHERWISE SPECIFIED:<br/>DIMENSIONS ARE IN INCHES<br/>TOLERANCES:<br/>FRACTIONAL ±1/32<br/>ANGULAR: MACH ±0.5 BEND ±2<br/>ONE PLACE DECIMAL ±0.1<br/>TWO PLACE DECIMAL ±0.01<br/>THREE PLACE DECIMAL ±0.005<br/>TWO PLACE DUAL (mm) [±0.12]</small>                   | DRAWN            | NAME                       | DATE            |   |
|   | CHECKED          | CTH                        | 10/09/20        |   |
|   | ENG APPR.        |                            |                 |   |
|   | MFG APPR.        |                            |                 |   |
| PRODUCTION  |                  |                            |                 | <b>PART NO:</b><br>20PPV-SE19-04GSPN  |
| COMMENTS:   |                  |                            |                 | <b>DESCRIPTION:</b><br>LinkTech 20PP Series Panel Mt. Female, Valved,<br>1/4-28 UNF, Gasket Seal, Plastic Nut,<br>Polypropylene |
| <small>PROPRIETARY AND CONFIDENTIAL<br/>THE INFORMATION CONTAINED IN THIS<br/>DRAWING IS THE SOLE PROPERTY OF<br/>LINKTECH LLC. ANY REPRODUCTION<br/>OR DISCLOSURE IN PART OR AS A<br/>WHOLE WITHOUT THE WRITTEN<br/>PERMISSION OF LINKTECH LLC IS<br/>STRICTLY PROHIBITED.</small> | <b>SIZE</b><br>C | <b>DWG. NO.</b><br>1190899 | <b>REV</b><br>A | <b>SCALE:</b> NTS <b>WEIGHT:</b> <b>SHEET 1 OF 1</b>  |