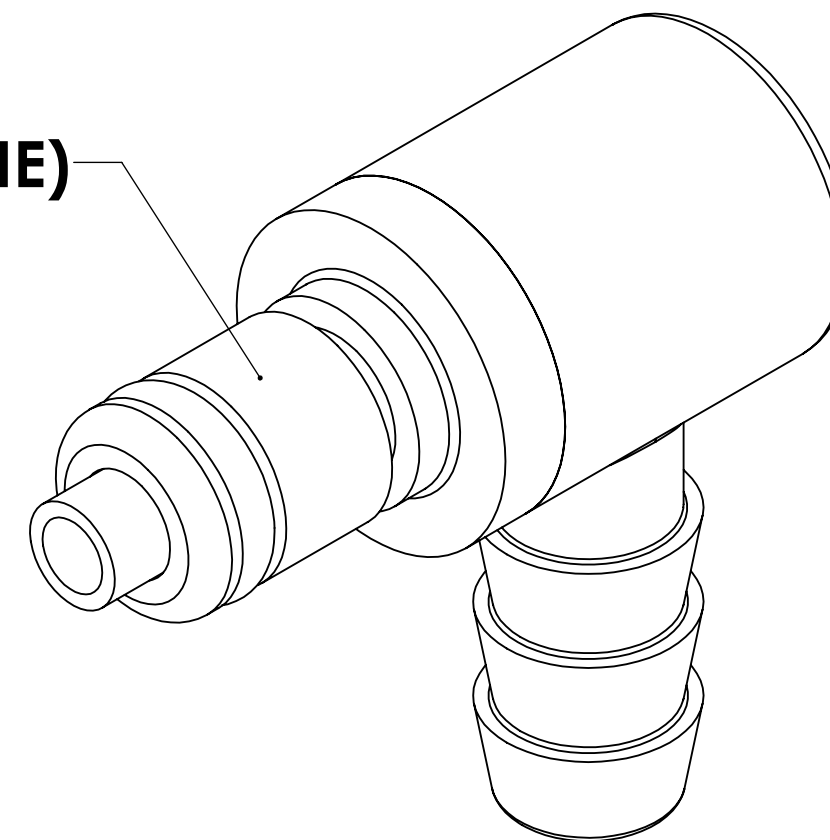
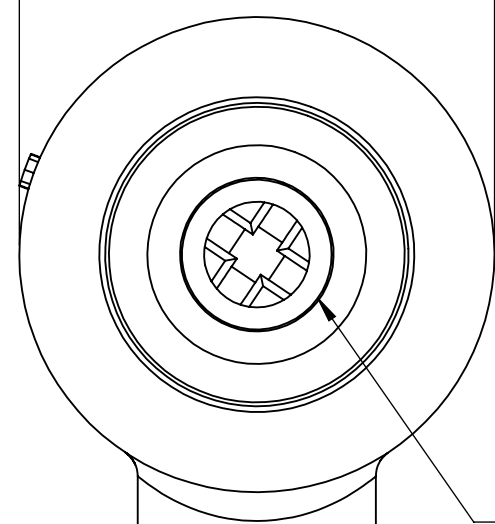


REVISIONS						
SHEET	ZONE	REV.	ECO	DESCRIPTION	DATE	APPROVED
1	ALL	A	50281	CONICAL SPRING UPDATE	9/21/2018	HRC

**PLUG,
(POLYPROPYLENE)**



[12.6]
Ø 0.50



**VALVE,
(POLYPROPYLENE)**

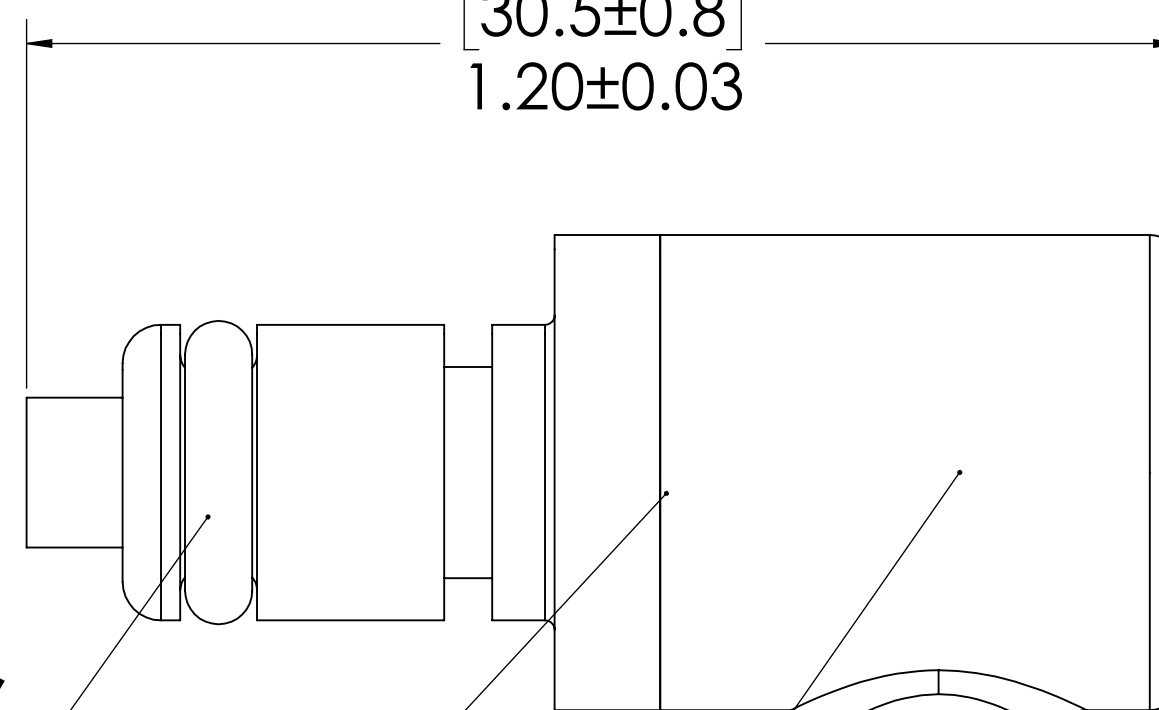
1/4" TUBE ID

**O-RING,
(EPDM)**

**VALVE O-RING,
INTERNAL
(EPDM)**

**VALVE SPRING,
INTERNAL
(STAINLESS STEEL)**

[30.5±0.8]
1.20±0.03



[27.8±0.5]
1.10±0.02

[7.6]
Ø 0.30

FOR REFERENCE ONLY

NOTES:

1. MATERIAL: POLYPROPYLENE
2. COLOR: MOLDED ALMOND
3. O-RING MATERIAL: EPDM
4. O-RINGS LUBRICATED WITH FOOD GRADE SILICONE OIL, 350 CST.

<small>UNLESS OTHERWISE SPECIFIED: DIMENSIONS ARE IN INCHES TOLERANCES: FRACTIONAL ± 1/32 ANGULAR: MACH ± 0.5 BEND ± 2 ONE PLACE DECIMAL ± 0.1 TWO PLACE DECIMAL ± 0.01 THREE PLACE DECIMAL ± 0.005 TWO PLACE DUAL (mm) [± 0.12]</small>	DRAWN	CGS	3/26/18	
	CHECKED	HRC	3/26/18	
	ENG APPR.	HRC	9/21/18	
	MFG APPR.	BDB	9/21/18	
PRODUCTION	LS	9/21/18		PART NO: 20PPV-PE4-04MALD DESCRIPTION: LinkTech 20PP Series Elbow Male, Valved, 1/4" HB, Molded Almond Color, Polypropylene
<small>PROPRIETARY AND CONFIDENTIAL THE INFORMATION CONTAINED IN THIS DRAWING IS THE SOLE PROPERTY OF LINKTECH LLC. ANY REPRODUCTION OR DISCLOSURE IN PART OR AS A WHOLE WITHOUT THE WRITTEN PERMISSION OF LINKTECH LLC IS STRICTLY PROHIBITED.</small>	COMMENTS:			SIZE DWG. NO. REV C 20PP200185 A
SCALE: NTS		WEIGHT:	SHEET 1 OF 1	