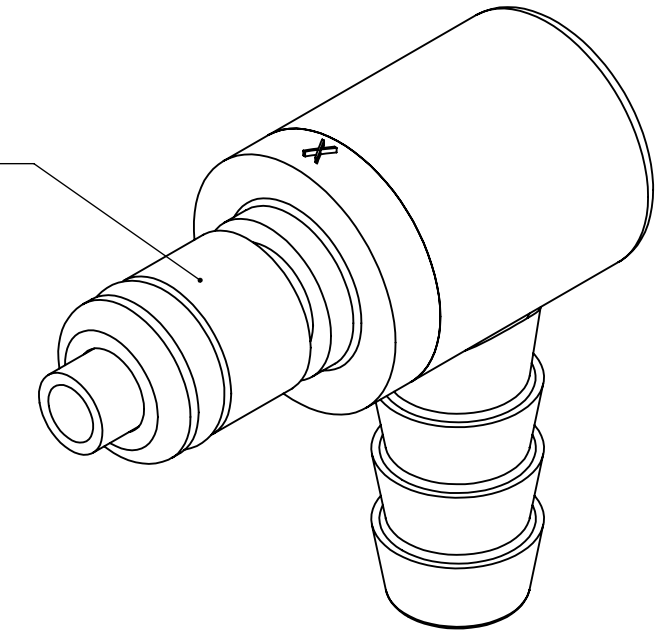
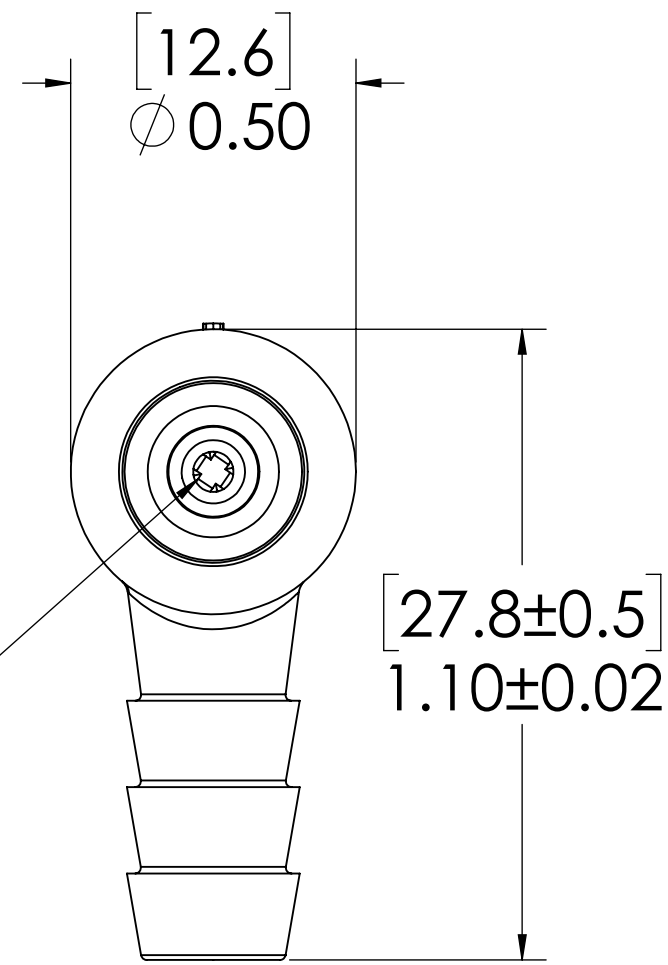


| REVISIONS | | | | | | |
|-----------|------|------|-------|------------------------------|------------|----------|
| SHEET | ZONE | REV. | ECO | DESCRIPTION | DATE | APPROVED |
| 1 | ALL | A | 50281 | VALVE SPRING & FORMAT UPDATE | 10/14/2019 | HRC |

**PLUG
(POLYPROPYLENE)**



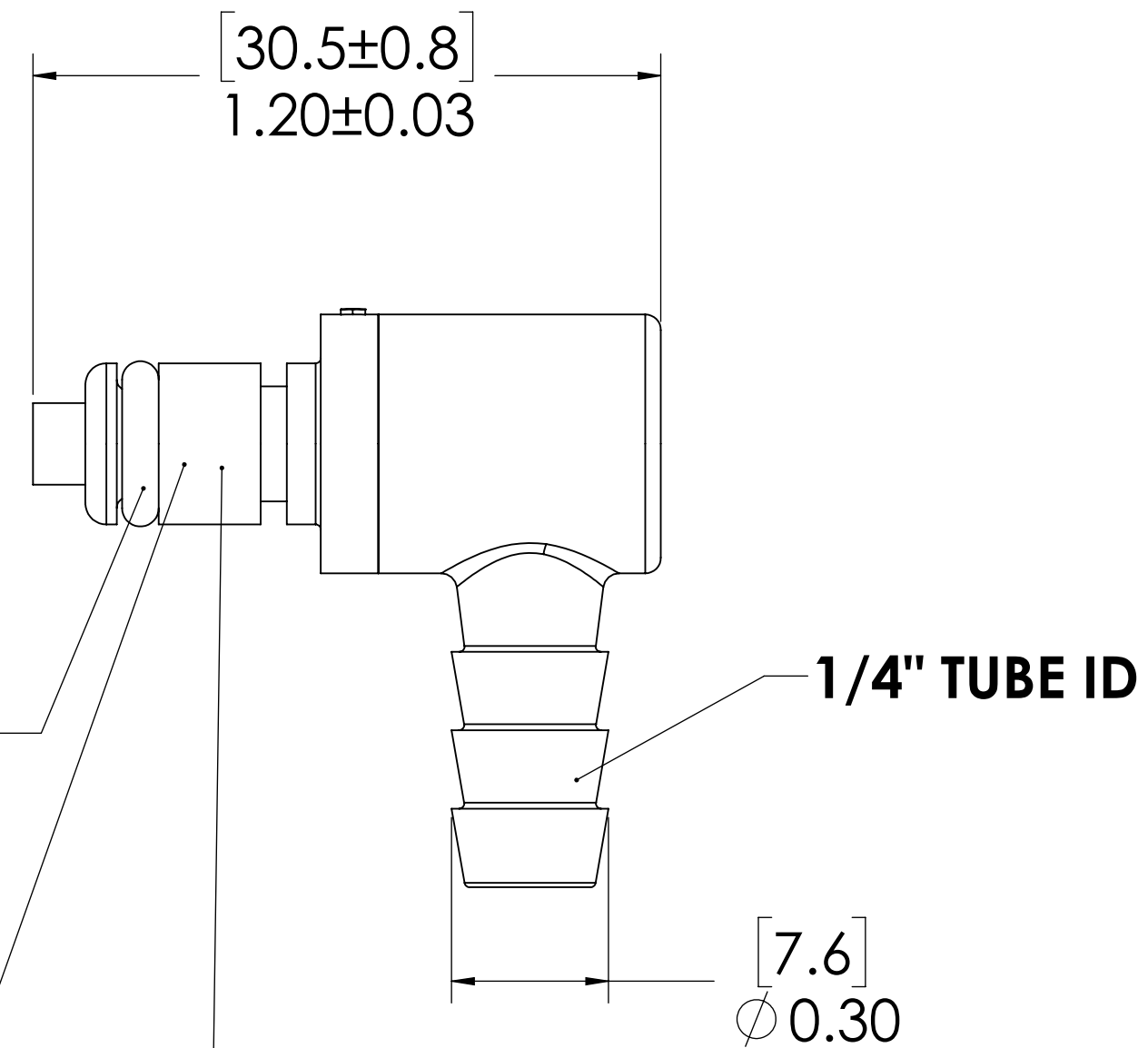
**VALVE
(POLYPROPYLENE)**



**VALVE O-RING
INTERNAL
(EPDM)**

**O-RING
EXTERNAL
(EPDM)**

**VALVE SPRING
INTERNAL
(STAINLESS STEEL)**



NOTES:

1. MATERIAL: POLYPROPYLENE
2. COLOR: GREY
3. O-RING MATERIAL: EPDM
4. O-RINGS LUBRICATED WITH FOOD GRADE SILICONE OIL, 350 CST.

FOR REFERENCE ONLY

| | | | | |
|---|-----------|---|--------------------------------|---|
| <small>UNLESS OTHERWISE SPECIFIED: DIMENSIONS ARE IN INCHES TOLERANCES: FRACTIONAL ±1/32 ANGULAR: MACH ±0.5 BEND ±2 ONE PLACE DECIMAL ±0.1 TWO PLACE DECIMAL ±0.01 THREE PLACE DECIMAL ±0.005 TWO PLACE DUAL (mm) [±0.12]</small> | DRAWN | RDA | 9/10/2019 | |
| | CHECKED | HRC | 9/10/2019 | |
| | ENG APPR. | HRC | 10/14/19 | |
| | MFG APPR. | BDB | 10/14/19 | |
| <small>PROPRIETARY AND CONFIDENTIAL THE INFORMATION CONTAINED IN THIS DRAWING IS THE SOLE PROPERTY OF LINKTECH LLC. ANY REPRODUCTION OR DISCLOSURE IN PART OR AS A WHOLE WITHOUT THE WRITTEN PERMISSION OF LINKTECH LLC IS STRICTLY PROHIBITED.</small> | Q.A. | LS | 10/14/19 | PART NO: 20PPV-PE4-04 DESCRIPTION: LinkTech 20PP Series Elbow Male, Valved, 250 HB, Molded Grey Color, Polypropylene |
| <small>SCALE: NTS WEIGHT:</small> | | <small>SIZE DWG. NO.</small> C 20PP200103 | <small>REV</small> A | <small>SHEET 1 OF 1</small> |