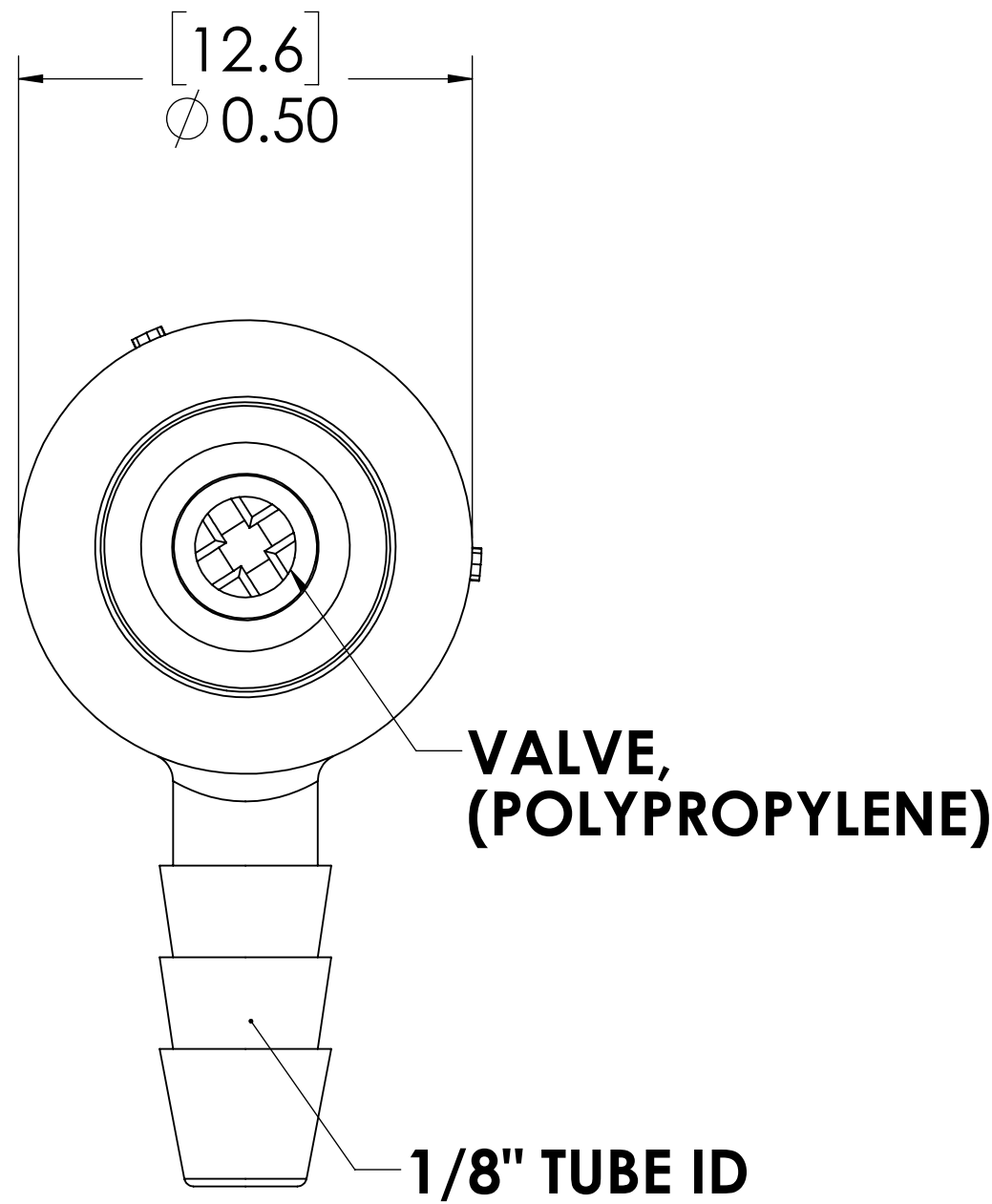
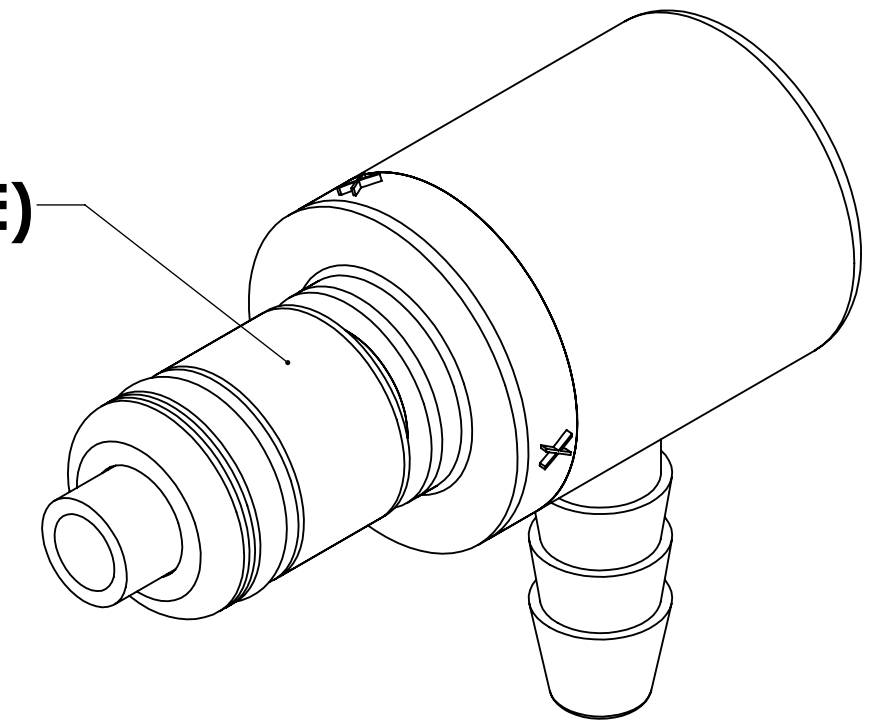


REVISIONS						
SHEET	ZONE	REV.	ECO	DESCRIPTION	DATE	APPROVED
1	ALL	A	50281	CONICAL SPRING UPDATE	9/21/2018	HRC

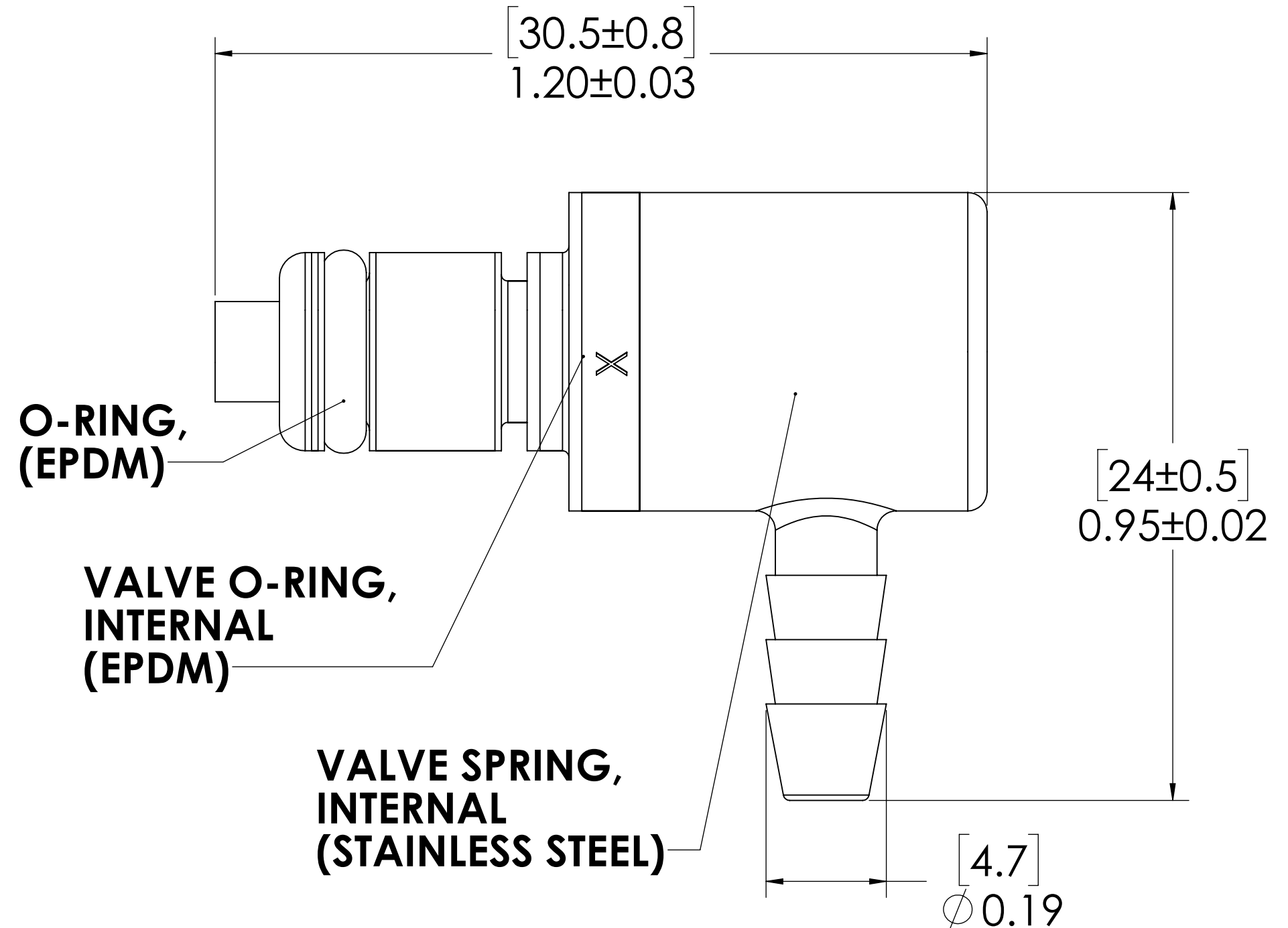
**PLUG,  
(POLYPROPYLENE)**



**O-RING,  
(EPDM)**

**VALVE O-RING,  
INTERNAL  
(EPDM)**

**VALVE SPRING,  
INTERNAL  
(STAINLESS STEEL)**



**NOTES:**

- MATERIAL: POLYPROPYLENE
- COLOR: MOLDED ALMOND
- O-RING MATERIAL: EPDM
- O-RINGS LUBRICATED WITH FOOD GRADE SILICONE OIL, 350 CST.

**FOR REFERENCE ONLY**

<small>UNLESS OTHERWISE SPECIFIED: DIMENSIONS ARE IN INCHES TOLERANCES: FRACTIONAL ± 1/32 ANGULAR: MACH ± 0.5 BEND ± 2 ONE PLACE DECIMAL ± 0.1 TWO PLACE DECIMAL ± 0.01 THREE PLACE DECIMAL ± 0.005 TWO PLACE DUAL (mm) [± 0.12]</small>	DRAWN	CGS	3/26/18	
	CHECKED	HRC	3/26/18	
	ENG APPR.	HRC	9/21/18	
	MFG APPR.	BDB	9/21/18	
PRODUCTION	LS	9/21/18		<b>PART NO:</b> 20PPV-PE4-02MALD  <b>DESCRIPTION:</b> LinkTech 20PP Series Elbow Male, Valved, 1/8" HB, Molded Almond Color, Polypropylene
<small>PROPRIETARY AND CONFIDENTIAL THE INFORMATION CONTAINED IN THIS DRAWING IS THE SOLE PROPERTY OF LINKTECH LLC. ANY REPRODUCTION OR DISCLOSURE IN PART OR AS A WHOLE WITHOUT THE WRITTEN PERMISSION OF LINKTECH LLC IS STRICTLY PROHIBITED.</small>	COMMENTS:			<b>SIZE:</b> C <b>DWG. NO.:</b> 20PP200184 <b>REV:</b> A
SCALE: NTS		WEIGHT:	SHEET 1 OF 1	