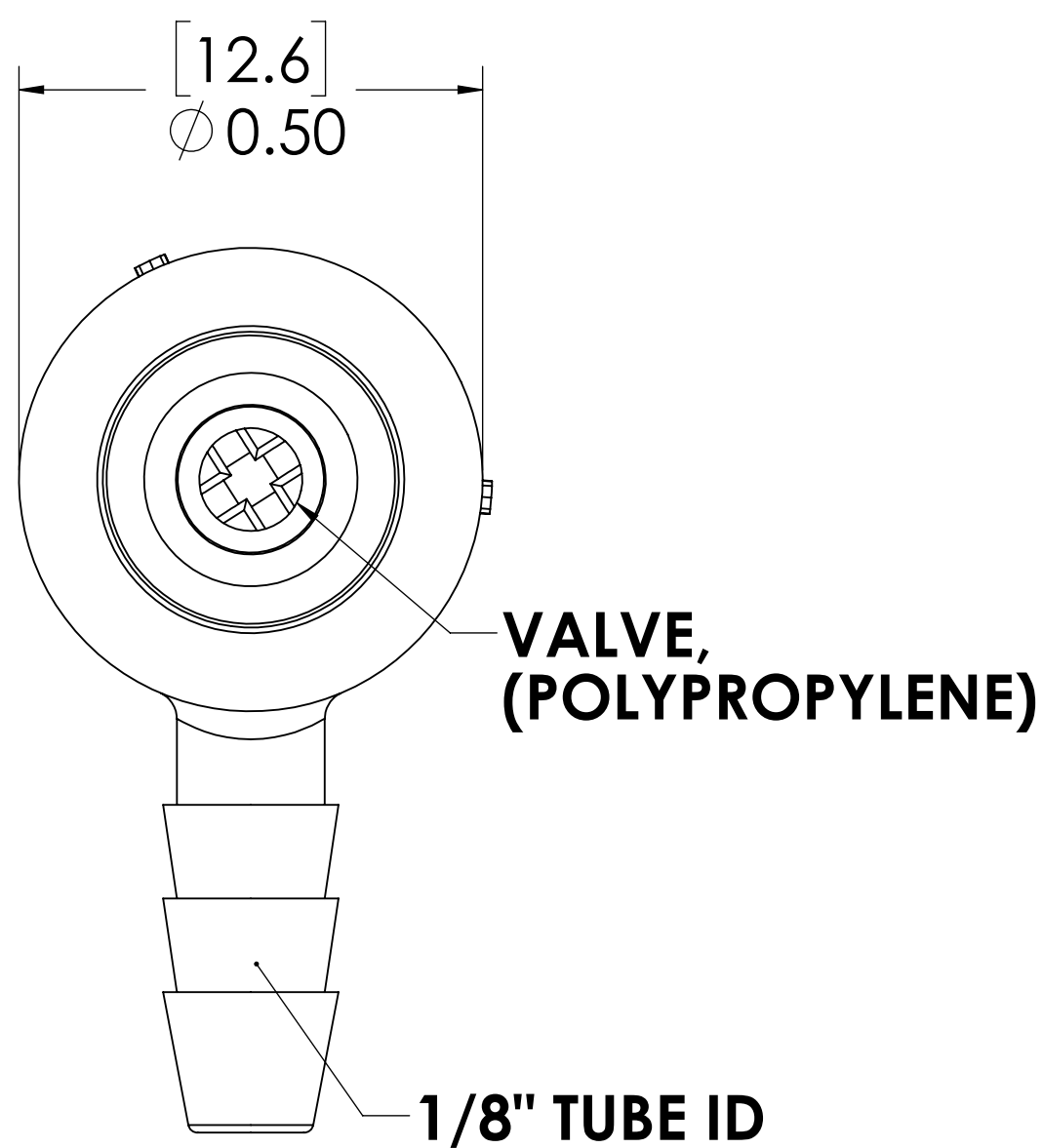
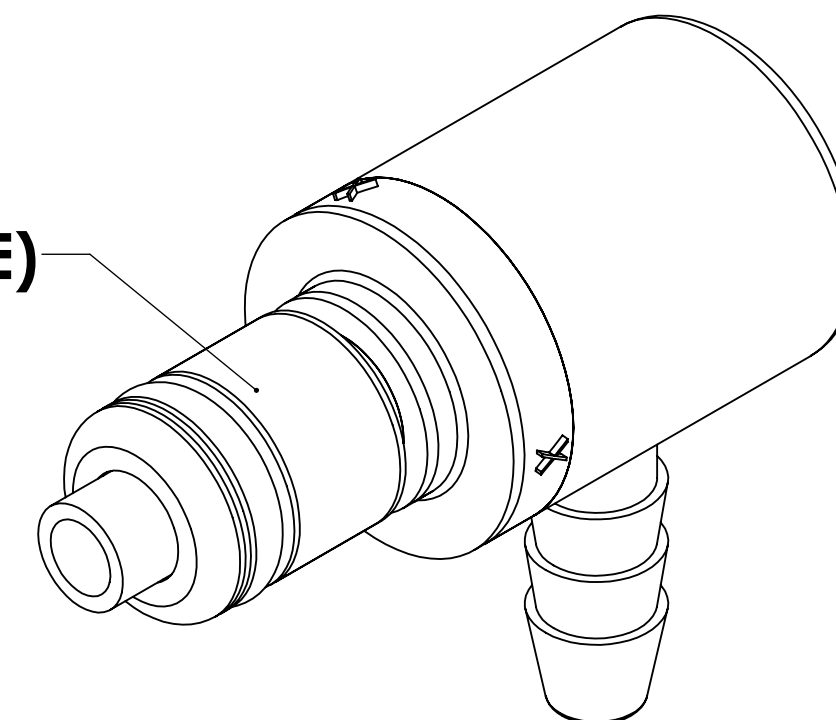


REVISIONS						
SHEET	ZONE	REV.	ECO	DESCRIPTION	DATE	APPROVED
1	ALL	A	50281	CONICAL SPRING UPDATE	9/24/2018	HRC

**PLUG,
(POLYPROPYLENE)**



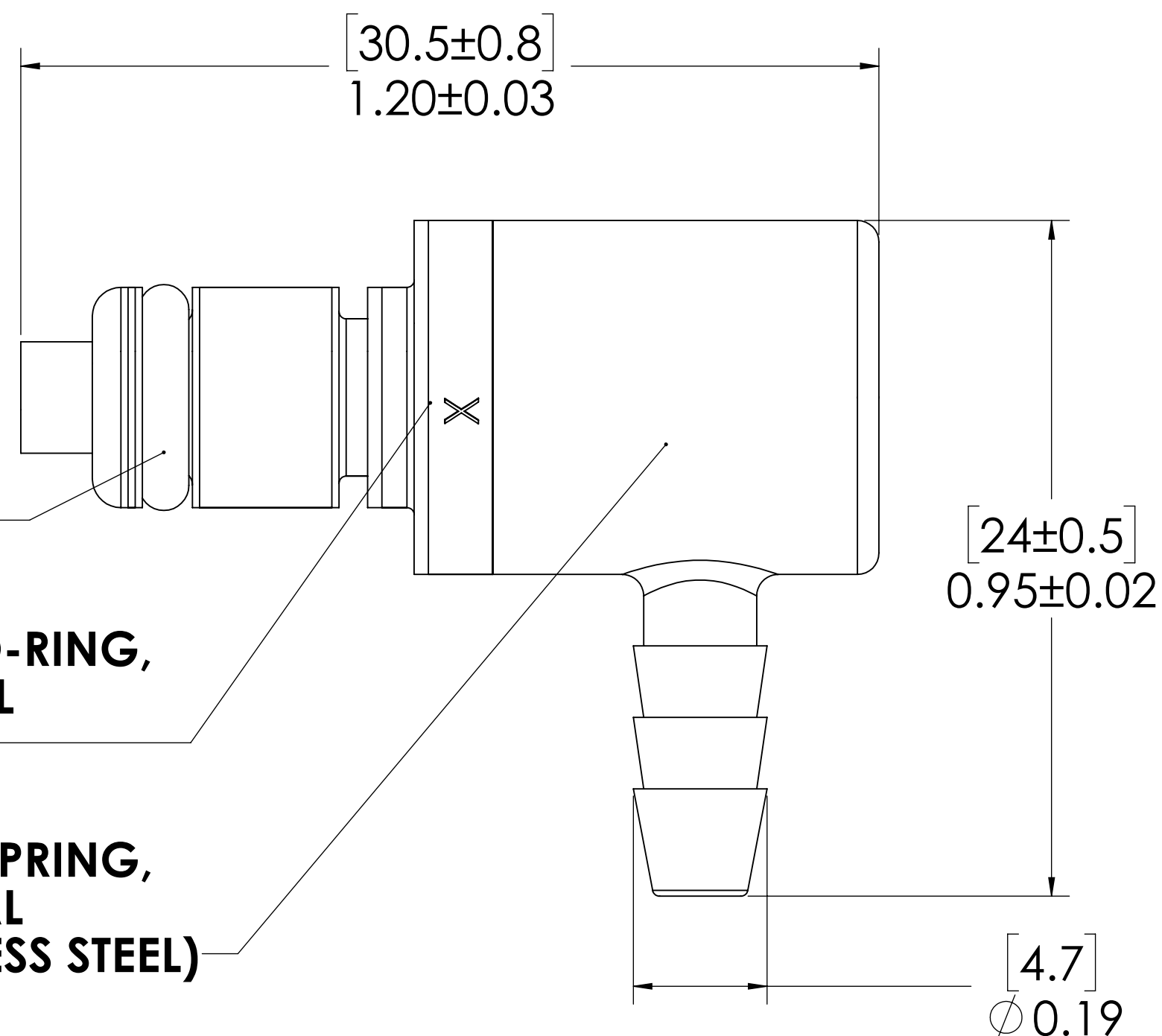
**VALVE,
(POLYPROPYLENE)**

1/8" TUBE ID

**O-RING,
(EPDM)**

**VALVE O-RING,
INTERNAL
(EPDM)**

**VALVE SPRING,
INTERNAL
(STAINLESS STEEL)**



NOTES:

1. MATERIAL: POLYPROPYLENE
2. COLOR: GREY
3. O-RING MATERIAL: EPDM
4. O-RINGS LUBRICATED WITH FOOD GRADE SILICONE OIL, 350 CST.

FOR REFERENCE ONLY

UNLESS OTHERWISE SPECIFIED:		NAME	DATE	LINKTECH AN OFFICIAL COMPANY
DIMENSIONS ARE IN INCHES TOLERANCES: FRACTIONAL ± 1/32 ANGULAR: MACH ± 0.5 BEND ± 2 ONE PLACE DECIMAL ± 0.1 TWO PLACE DECIMAL ± 0.01 THREE PLACE DECIMAL ± 0.005 TWO PLACE DUAL (mm) [± 0.12]		DRAWN	HRC 1/07/11	
PROPRIETARY AND CONFIDENTIAL		CHECKED	HRC 1/07/11	
THE INFORMATION CONTAINED IN THIS DRAWING IS THE SOLE PROPERTY OF LINKTECH LLC. ANY REPRODUCTION OR DISCLOSURE IN PART OR AS A WHOLE WITHOUT THE WRITTEN PERMISSION OF LINKTECH LLC IS STRICTLY PROHIBITED.		ENG APPR.	HRC 9/21/18	
		MFG APPR.	BDB 9/21/18	
		PRODUCTION	LS 9/21/18	DESCRIPTION: LinkTech 20PP Series Elbow Male, Valved, 1/8" HB, Molded Grey Color, Polypropylene
		COMMENTS:		SIZE DWG. NO. REV C 20PP200102 A
				SCALE: NTS WEIGHT: SHEET 1 OF 1