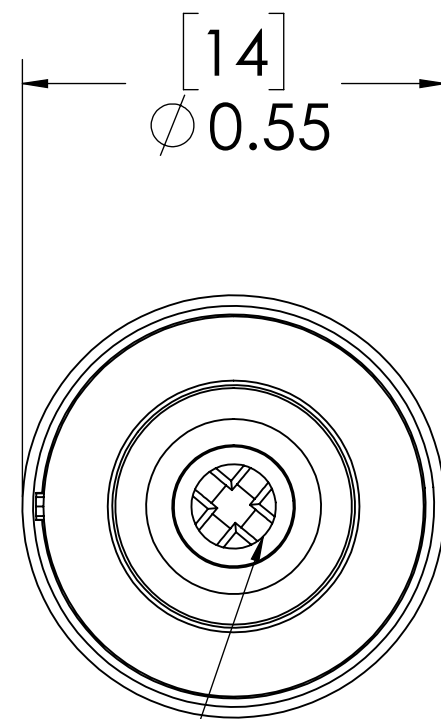
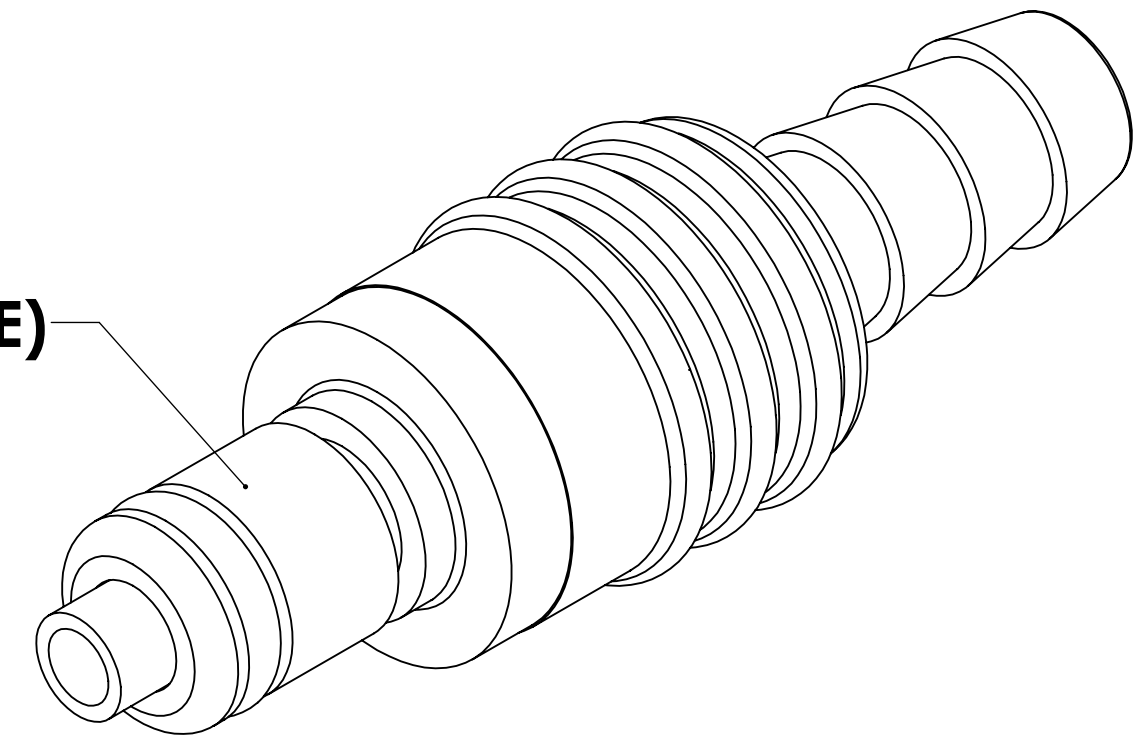


REVISIONS						
SHEET	ZONE	REV.	ECO	DESCRIPTION	DATE	APPROVED
1	ALL	A	50281	CONICAL SPRING UPDATE	9/21/2018	HRC

**PLUG,
(POLYPROPYLENE)**



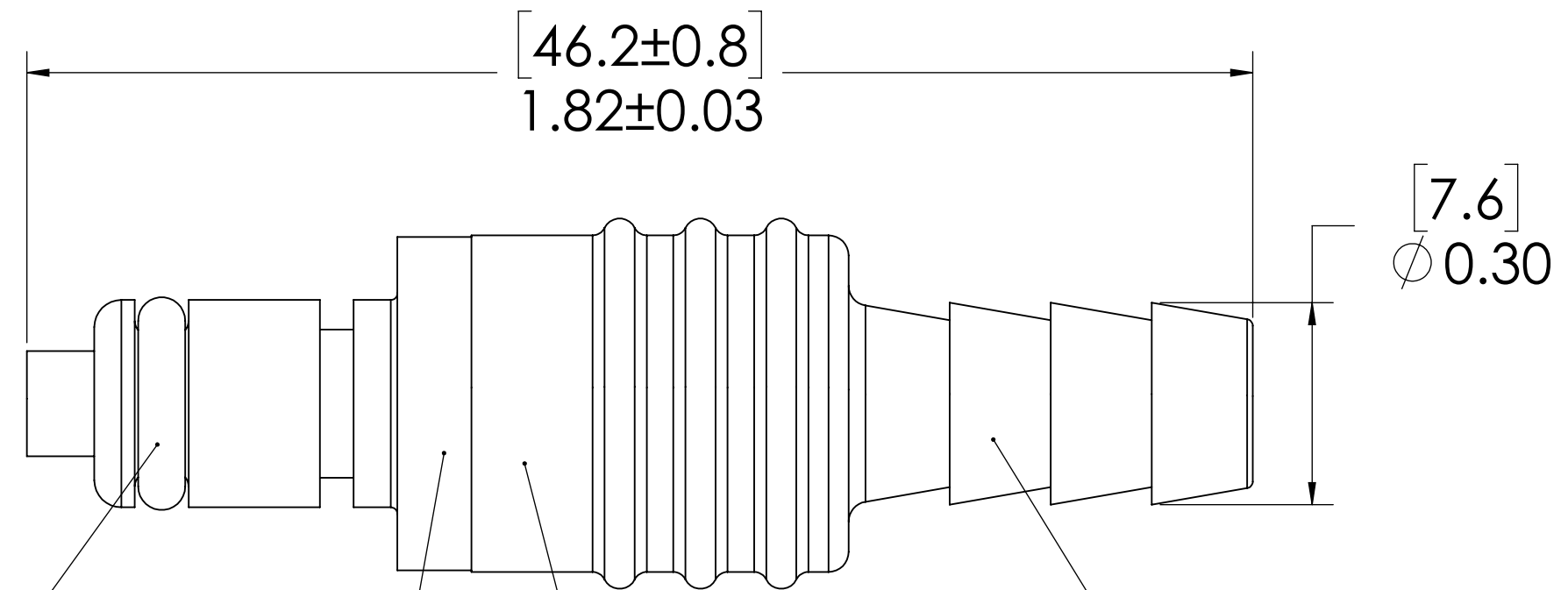
**VALVE,
(POLYPROPYLENE)**

**O-RING,
(EPDM)**

**VALVE O-RING,
INTERNAL
(EPDM)**

**VALVE SPRING,
INTERNAL
(STAINLESS STEEL)**

1/4" TUBE ID



NOTES:

1. MATERIAL: POLYPROPYLENE
2. COLOR: MOLDED ALMOND
3. O-RING MATERIAL: EPDM
4. O-RINGS LUBRICATED WITH FOOD GRADE SILICONE OIL, 350 CST.

FOR REFERENCE ONLY

<small>UNLESS OTHERWISE SPECIFIED: DIMENSIONS ARE IN INCHES TOLERANCES: FRACTIONAL ± 1/32 ANGULAR: MACH ± 0.5 BEND ± 2 ONE PLACE DECIMAL ± 0.1 TWO PLACE DECIMAL ± 0.01 THREE PLACE DECIMAL ± 0.005 TWO PLACE DUAL (mm) [± 0.12]</small>	DRAWN	CGS	3/26/18	
	CHECKED	HRC	3/26/18	
	ENG APPR.	HRC	9/21/18	
	MFG APPR.	BDB	9/21/18	
PRODUCTION	LS	9/21/18		PART NO: 20PPV-PE2-04MALD DESCRIPTION: LinkTech 20PP Series Straight Male. Valved, 1/4" HB, Molded Almond Color, Polypropylene
<small>THE INFORMATION CONTAINED IN THIS DRAWING IS THE SOLE PROPERTY OF LINKTECH LLC. ANY REPRODUCTION OR DISCLOSURE IN PART OR AS A WHOLE WITHOUT THE WRITTEN PERMISSION OF LINKTECH LLC IS STRICTLY PROHIBITED.</small>				SCALE: NTS WEIGHT: SHEET 1 OF 1
PROPRIETARY AND CONFIDENTIAL		COMMENTS:		SIZE: C DWG. NO.: 20PP200183 REV: A