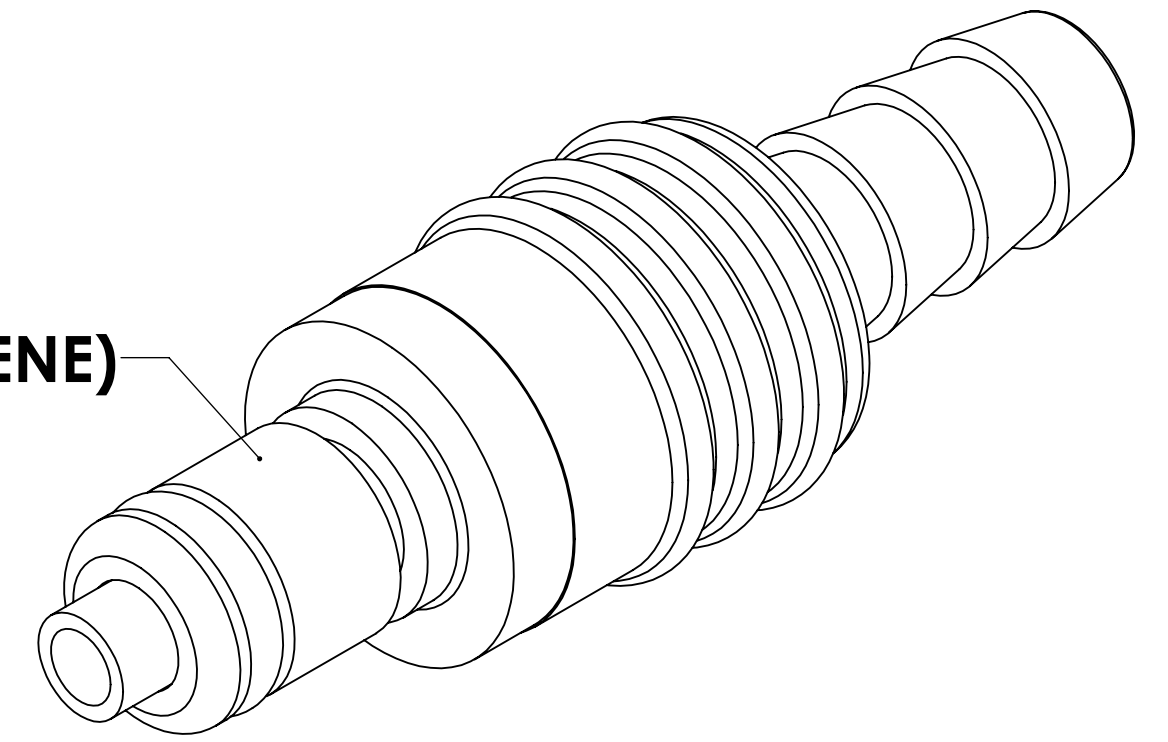
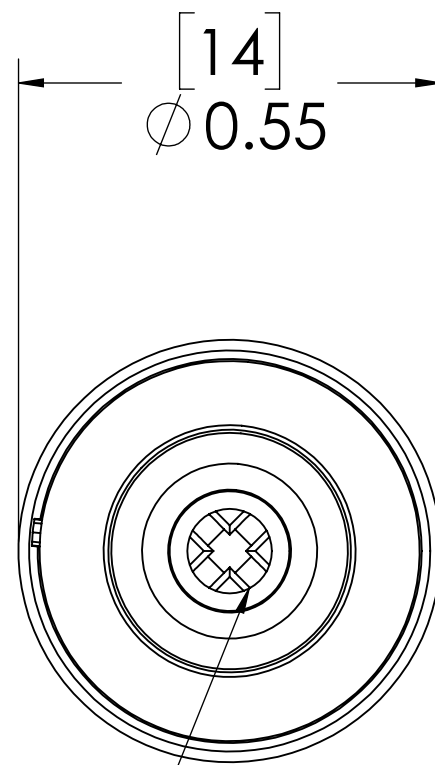


| REVISIONS | | | | | | |
|-----------|------|------|-------|-----------------------|-----------|----------|
| SHEET | ZONE | REV. | ECO | DESCRIPTION | DATE | APPROVED |
| 1 | ALL | A | 50253 | INITIAL RELEASE | 1/5/11 | HRC |
| 1 | ALL | B | 50281 | CONICAL SPRING UPDATE | 9/21/2018 | HRC |

**PLUG
(POLYPROPYLENE)**



**VALVE
(POLYPROPYLENE)**



**O-RING
EXTERNAL
(EPDM)**

**VALVE O-RING
INTERNAL
(EPDM)**

[46.2±0.8]
1.82±0.03

**VALVE SPRING
INTERNAL
(STAINLESS STEEL)**

1/4" TUBE ID

[7.6]
0.30

NOTES:

- MATERIAL: POLYPROPYLENE
- COLOR: GREY
- O-RING MATERIAL: EPDM
- O-RINGS LUBRICATED WITH FOOD GRADE SILICONE OIL, 350 CST.

FOR REFERENCE ONLY

| | | | | | | | | | | |
|---|------------|---------|----------|---|------|----------|-----|---|------------|---|
| <small>UNLESS OTHERWISE SPECIFIED: DIMENSIONS ARE IN INCHES TOLERANCES: FRACTIONAL ±1/32 ANGULAR: MACH ±0.5 BEND ±2 ONE PLACE DECIMAL ±0.1 TWO PLACE DECIMAL ±0.01 THREE PLACE DECIMAL ±0.005 TWO PLACE DUAL (mm) [±0.12]</small> | DRAWN | LMP | 6/4/2018 | | | | | | | |
| | CHECKED | HRC | 1/5/11 | | | | | | | |
| | ENG APPR. | HRC | 9/21/18 | | | | | | | |
| | MFG APPR. | BDB | 9/21/18 | | | | | | | |
| PRODUCTION | LS | 9/21/18 | | PART NO: 20PPV-PE2-04 DESCRIPTION: LinkTech 20PP Series Straight Male, Valved, 1/4" HB, Molded Grey Color, Polypropylene | | | | | | |
| <small>PROPRIETARY AND CONFIDENTIAL THE INFORMATION CONTAINED IN THIS DRAWING IS THE SOLE PROPERTY OF LINKTECH LLC. ANY REPRODUCTION OR DISCLOSURE IN PART OR AS A WHOLE WITHOUT THE WRITTEN PERMISSION OF LINKTECH LLC IS STRICTLY PROHIBITED.</small> | | | | <table border="1"> <tr> <td>SIZE</td> <td>DWG. NO.</td> <td>REV</td> </tr> <tr> <td>C</td> <td>20PP200097</td> <td>B</td> </tr> </table> | SIZE | DWG. NO. | REV | C | 20PP200097 | B |
| SIZE | DWG. NO. | REV | | | | | | | | |
| C | 20PP200097 | B | | | | | | | | |
| SCALE: NTS | | | WEIGHT: | SHEET 1 OF 1 | | | | | | |