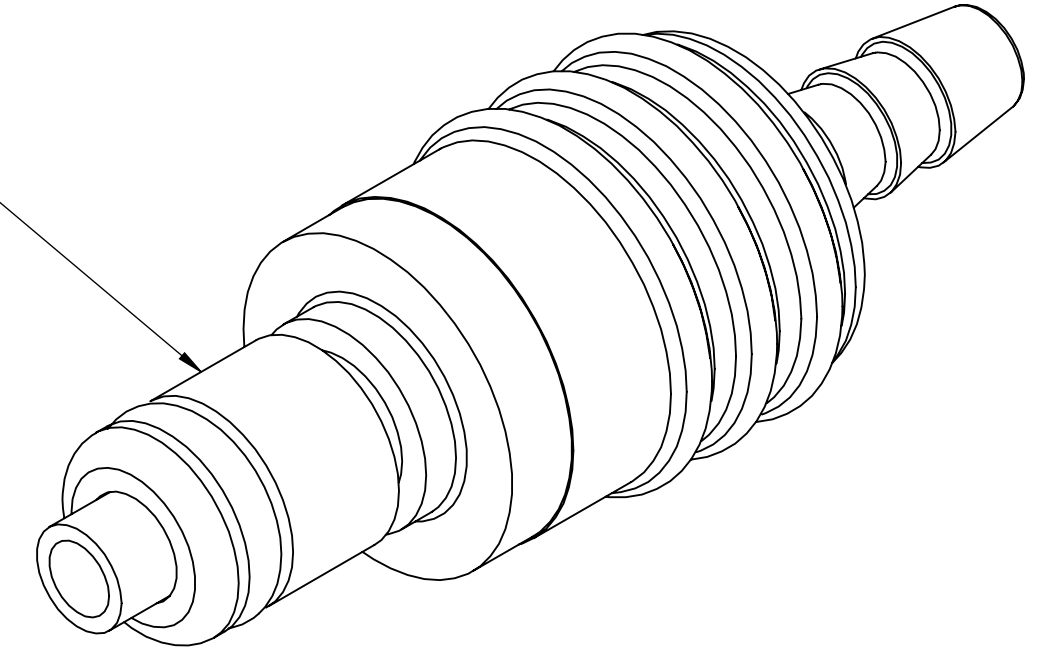
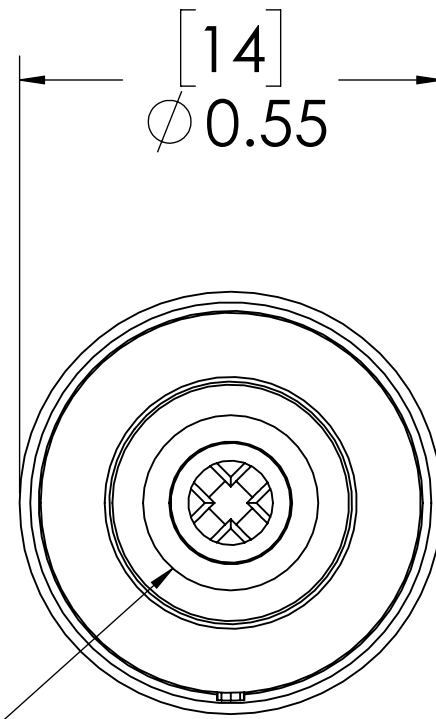


REVISIONS						
SHEET	ZONE	REV.	ECO	DESCRIPTION	DATE	APPROVED
1	C-4	A	...	CHANGE VALVE O-RING FROM C1 1019 FOOD GRADE EPDM TO C11 100 PEROXIDE CURED EPDM	2/14/2011	DHJ
1	ALL	B	50281	CONICAL SPRING UPDATE	9/21/2018	HRC

**PLUG,
(POLYPROPYLENE)**



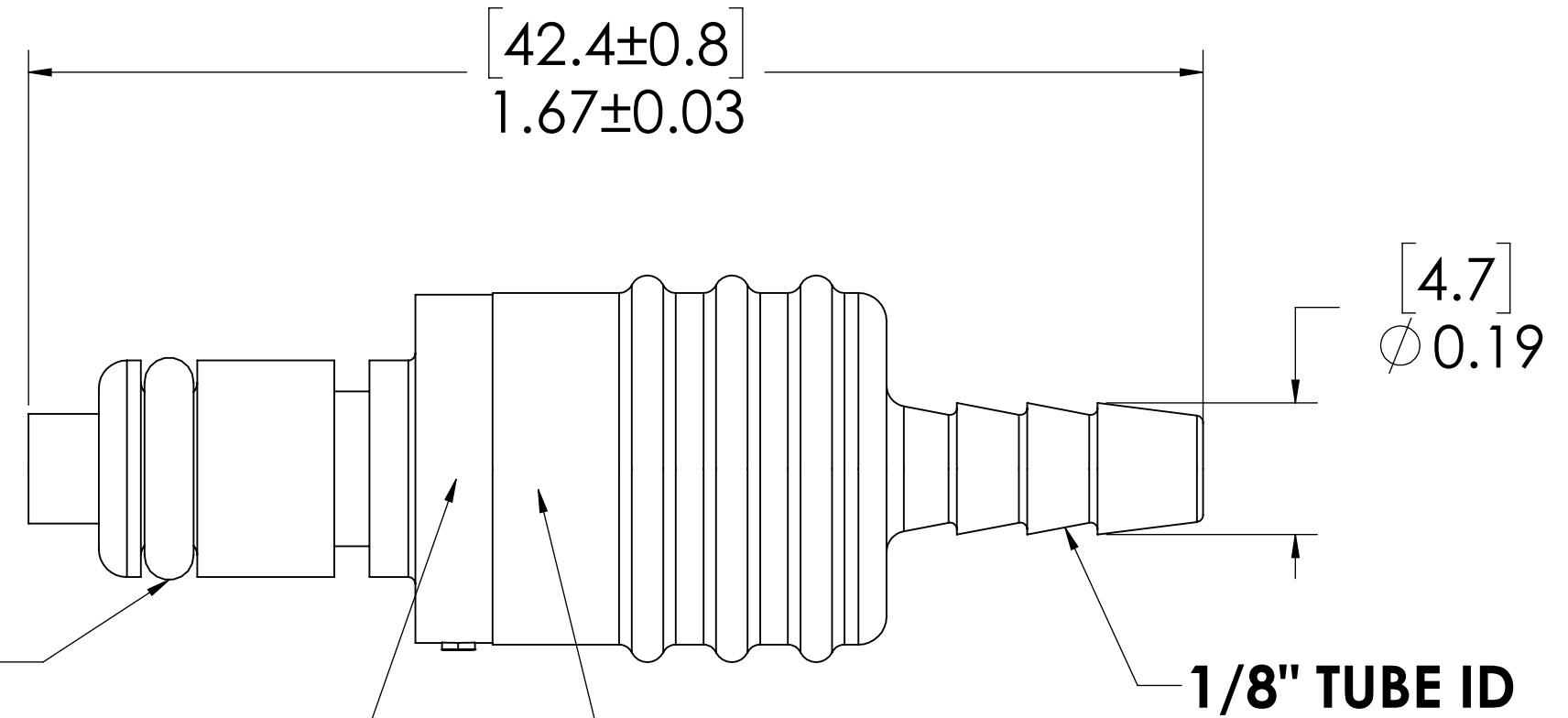
**VALVE,
(POLYPROPYLENE)**



**O-RING,
(EPDM)**

**VALVE O-RING
INTERNAL,
(EPDM)**

**VALVE SPRING
INTERNAL,
(STAINLESS STEEL)**



1/8" TUBE ID

NOTES:

- MATERIAL: POLYPROPYLENE
- COLOR: GREY
- O-RING MATERIAL: EPDM
- O-RINGS LUBRICATED WITH FOOD GRADE SILICONE OIL, 350 CST.

FOR REFERENCE ONLY

<small>UNLESS OTHERWISE SPECIFIED: DIMENSIONS ARE IN INCHES TOLERANCES: FRACTIONAL ± 1/32 ANGULAR, MACH ± 0.5 BEND ± 2 ONE PLACE DECIMAL ± 0.1 TWO PLACE DECIMAL ± 0.01 THREE PLACE DECIMAL ± 0.005 TWO PLACE DUAL (mm) [± 0.12]</small>	DRAWN	HRC	1-05-11	
	CHECKED	HRC	1-05-11	
	ENG APPR.	HRC	9/21/18	
	MFG APPR.	BDB	9/21/18	
PRODUCTION	LS	9/21/18		PART NO: 20PPV-PE2-02 DESCRIPTION: LinkTech 20PP Series Straight Male, Valved, 125 HB, Molded Grey Color, Polypropylene
<small>PROPRIETARY AND CONFIDENTIAL THE INFORMATION CONTAINED IN THIS DRAWING IS THE SOLE PROPERTY OF LINKTECH LLC. ANY REPRODUCTION OR DISCLOSURE IN PART OR AS A WHOLE WITHOUT THE WRITTEN PERMISSION OF LINKTECH LLC IS STRICTLY PROHIBITED.</small>	COMMENTS:			SIZE DWG. NO. REV C 20PP200096 B
SCALE: NTS		WEIGHT:	SHEET 1 OF 1	