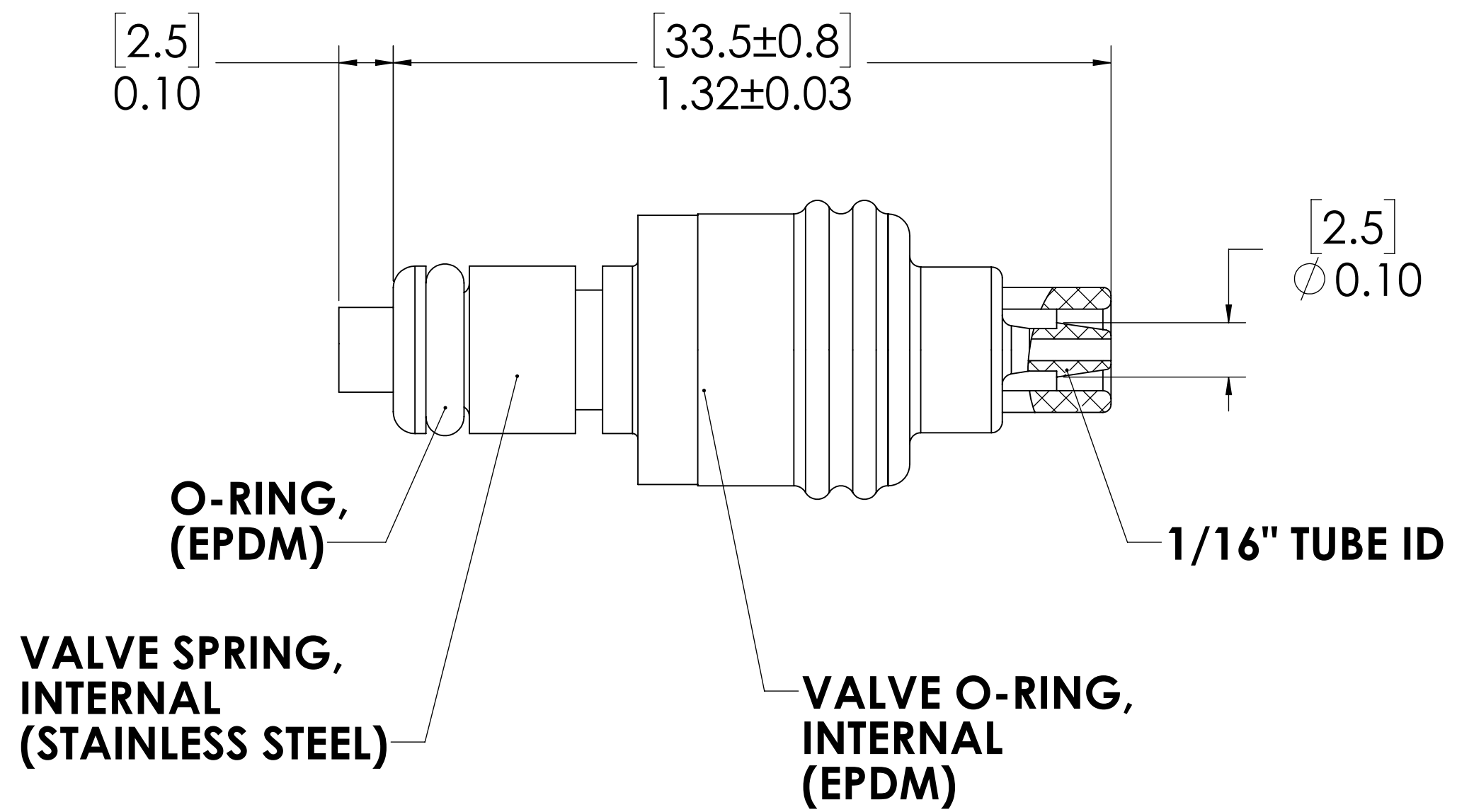
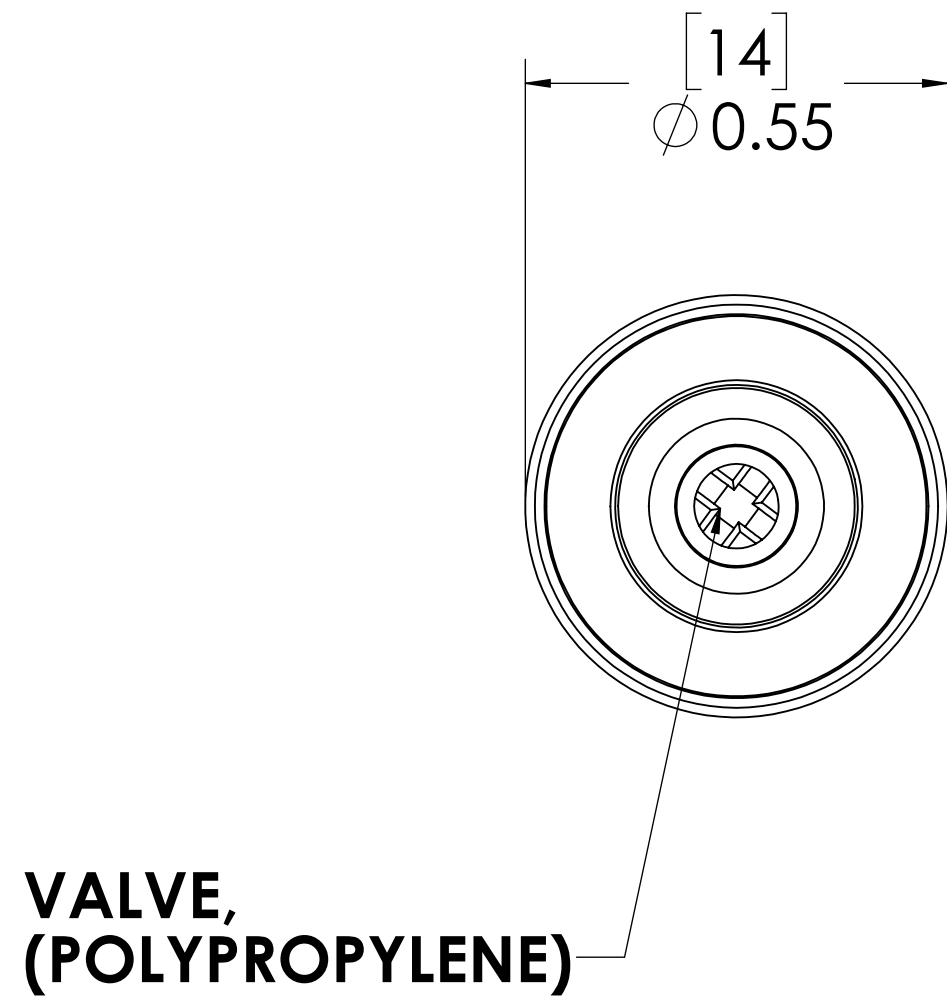
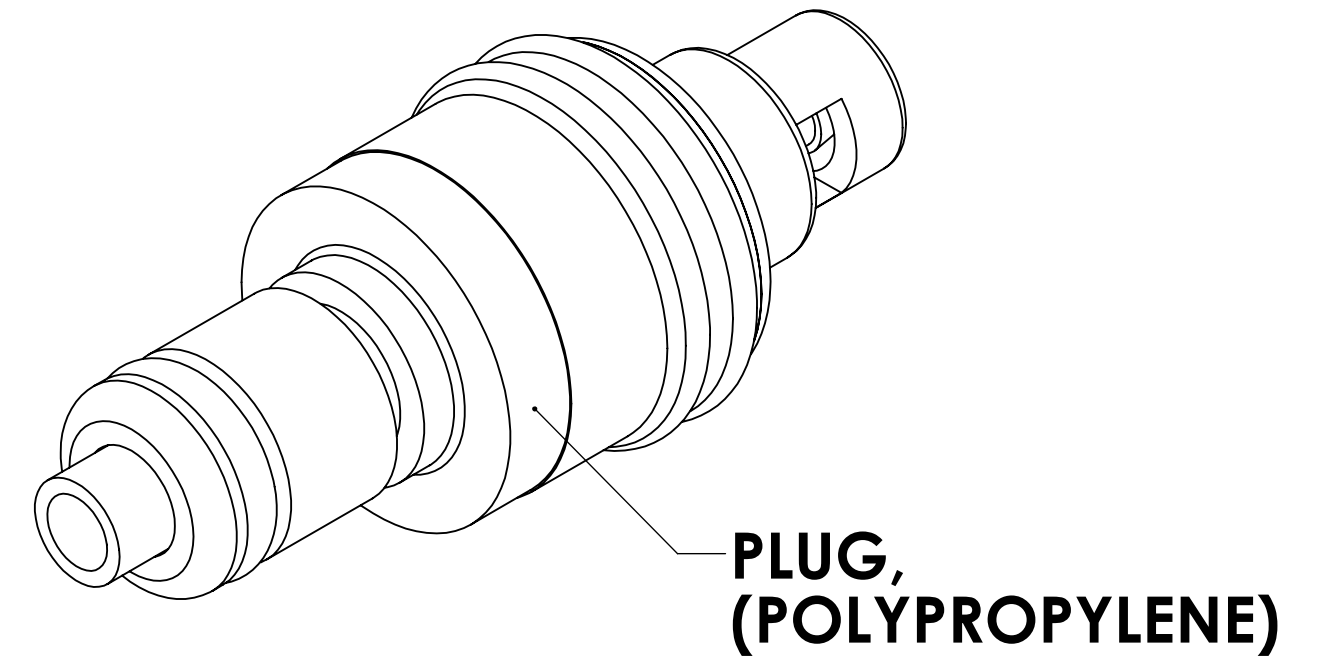


REVISIONS						
SHEET	ZONE	REV.	ECO	DESCRIPTION	DATE	APPROVED
ALL	ALL	A	50281	INITIAL RELEASE	10/14/2019	HRC



**NOTES:**

- MATERIAL: POLYPROPYLENE
- COLOR: ALMOND
- O-RING MATERIAL: EPDM
- O-RINGS LUBRICATED WITH FOOD GRADE SILICONE OIL, 350 CST.

**FOR REFERENCE ONLY**

<small>UNLESS OTHERWISE SPECIFIED: DIMENSIONS ARE IN INCHES TOLERANCES: FRACTIONAL ± 1/32 ANGULAR: MACH ± 0.5 BEND ± 2 ONE PLACE DECIMAL ± 0.1 TWO PLACE DECIMAL ± 0.01 THREE PLACE DECIMAL ± 0.005 TWO PLACE DUAL (mm) [± 0.12]</small>	DRAWN	RDA	8/6/2019	
	CHECKED	HRC	8/6/2019	
	ENG APPR.	HRC	10/14/19	
	MFG APPR.	BDB	10/14/19	
<small>PROPRIETARY AND CONFIDENTIAL</small>	Q.A.	LS	10/14/19	<b>PART NO:</b> 20PPV-PE2-01MALD <b>DESCRIPTION:</b> LinkTech 20PP Series Straight Male, Valved, 116 HB, Molded Almond Color, Polypropylene
<small>THE INFORMATION CONTAINED IN THIS DRAWING IS THE SOLE PROPERTY OF LINKTECH LLC. ANY REPRODUCTION OR DISCLOSURE IN PART OR AS A WHOLE WITHOUT THE WRITTEN PERMISSION OF LINKTECH LLC IS STRICTLY PROHIBITED.</small>	COMMENTS:			<b>SIZE</b> DWG. NO. REV <b>C</b> 20PP200234 <b>A</b>
				<b>SCALE:</b> NTS <b>WEIGHT:</b> <b>SHEET 1 OF 1</b>