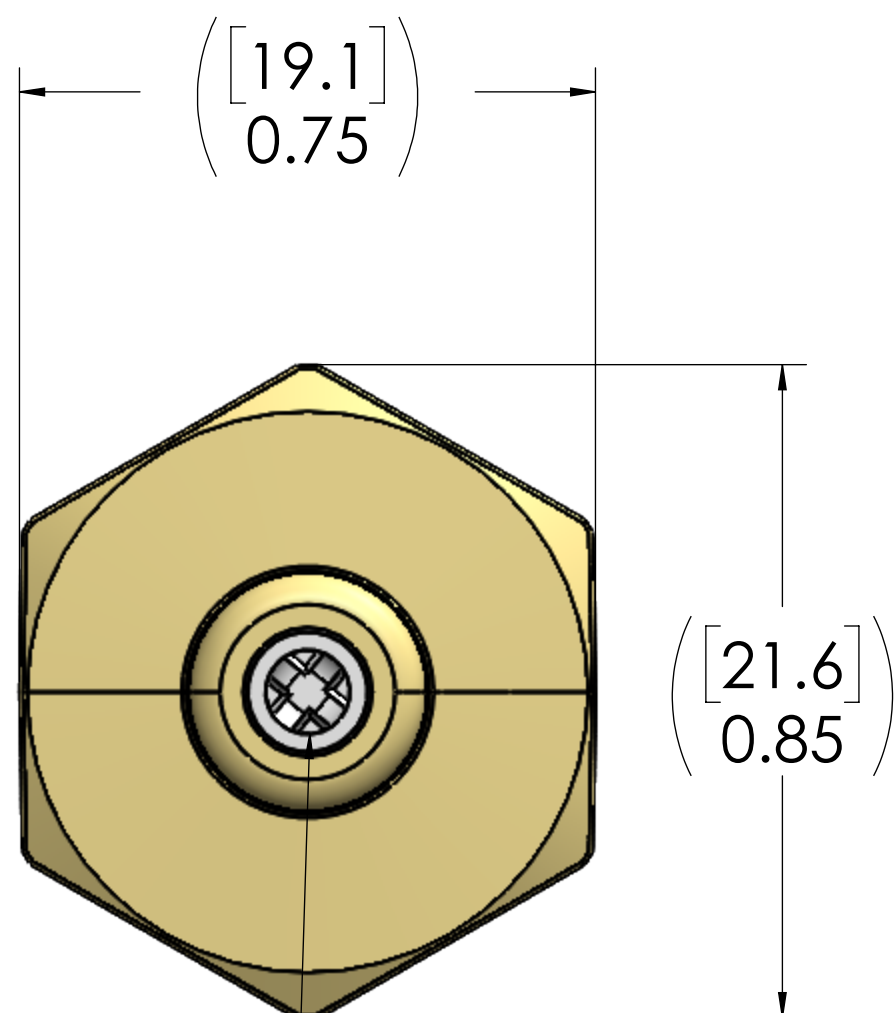
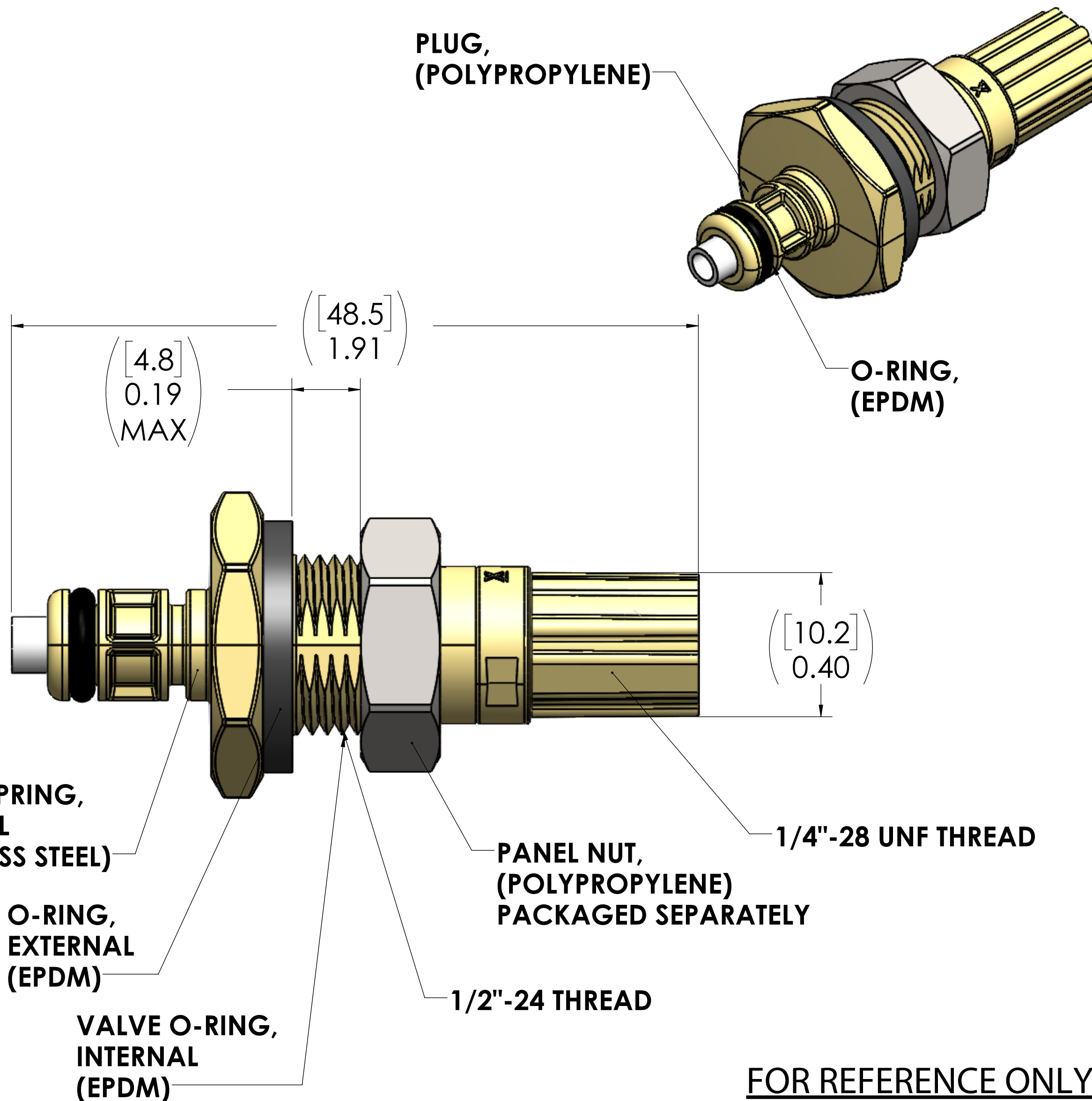


REVISIONS			
REV.	DESCRIPTION	DATE	APPROVED
A	INITIAL RELEASE	12-17-21	FJL



**VALVE,
(POLYPROPYLENE)**



**VALVE SPRING,
INTERNAL
(STAINLESS STEEL)**

**O-RING,
EXTERNAL
(EPDM)**

**VALVE O-RING,
INTERNAL
(EPDM)**

**PANEL NUT,
(POLYPROPYLENE)
PACKAGED SEPARATELY**

1/2\"-24 THREAD

1/4\"-28 UNF THREAD

FOR REFERENCE ONLY

UNLESS OTHERWISE SPECIFIED:		NAME	DATE		
DIMENSIONS ARE IN INCHES		DRAWN	CTH		10/26/20
TOLERANCES:		CHECKED			
FRACTIONAL ±1/32		ENG APPR.			
ANGULAR: MACH ±0.5 BEND ±2		MFG APPR.			
ONE PLACE DECIMAL ±0.1		PRODUCTION			
TWO PLACE DECIMAL ±0.01		COMMENTS:			
THREE PLACE DECIMAL ±0.005					
TWO PLACE DUAL (mm) [±0.12]					
PROPRIETARY AND CONFIDENTIAL					
THE INFORMATION CONTAINED IN THIS DRAWING IS THE SOLE PROPERTY OF LINKTECH LLC. ANY REPRODUCTION OR DISCLOSURE IN PART OR AS A WHOLE WITHOUT THE WRITTEN PERMISSION OF LINKTECH LLC IS STRICTLY PROHIBITED.					
PART NO:					
20PPV-PE19-04GSPN		DESCRIPTION:			
LinkTech 20PP Series Panel Mt. Male, Valved, 1/4-28 UNF, Gasket Seal, Plastic Nut, Polypropylene		SIZE	DWG. NO.	REV	
C	1190900	A			
SCALE: NTS	WEIGHT:	SHEET 1 OF 1			