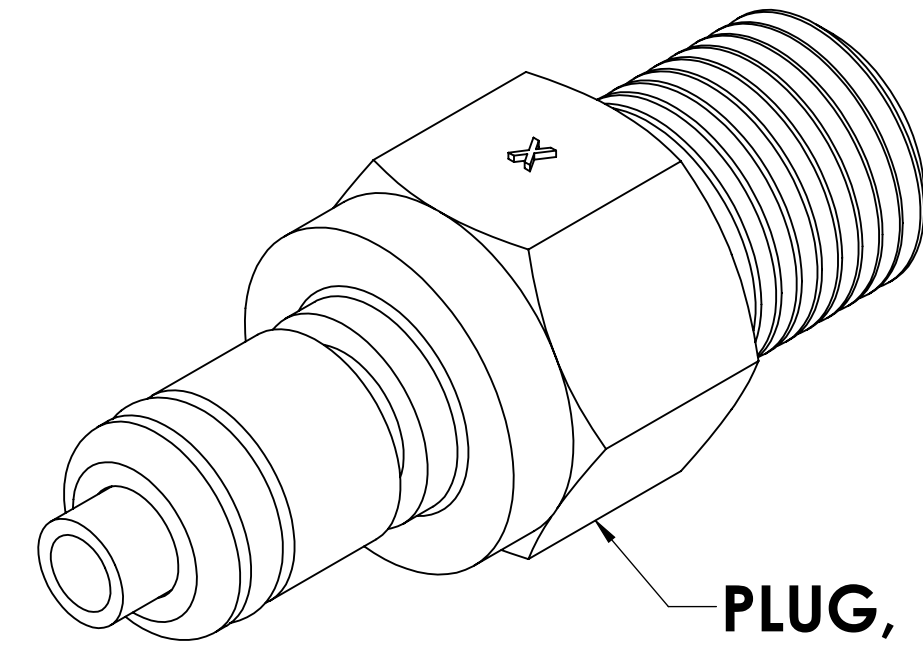
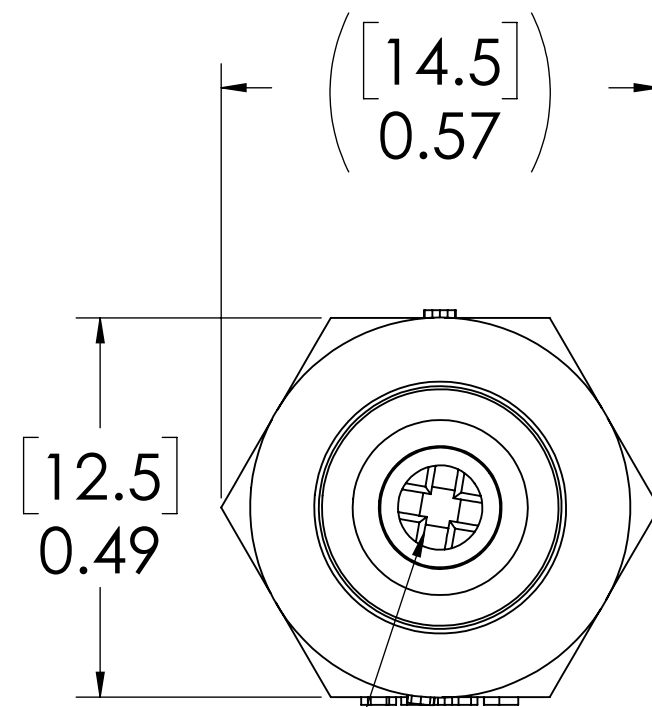


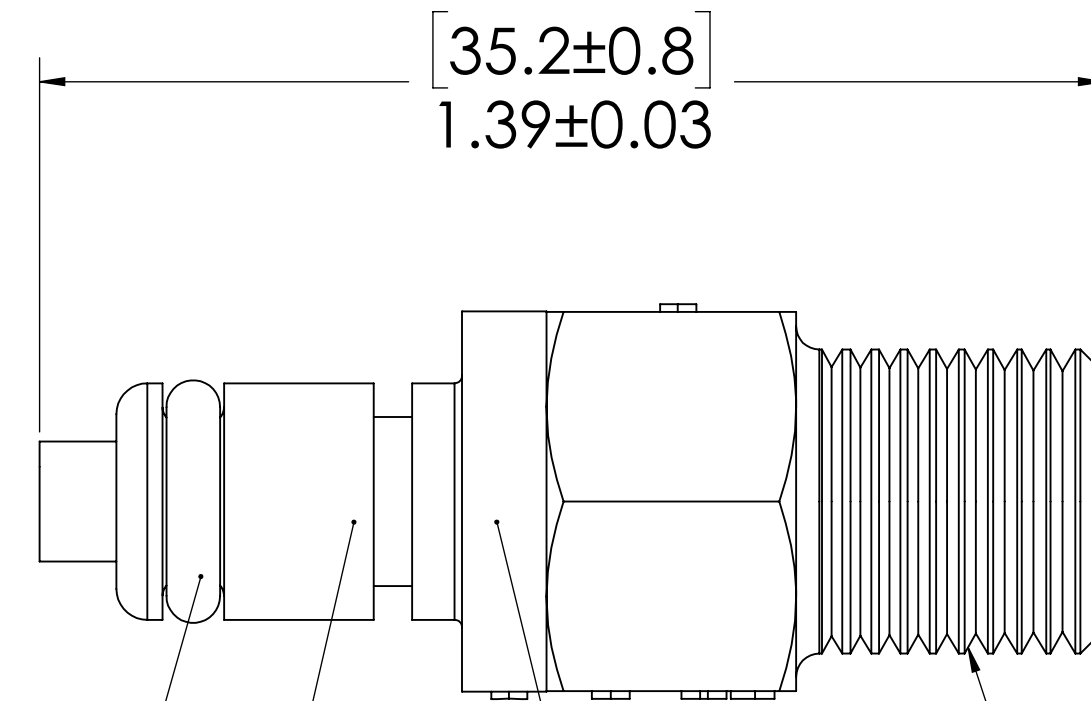
REVISIONS						
SHEET	ZONE	REV.	ECO	DESCRIPTION	DATE	APPROVED
1	ALL	A	50281	CONICAL SPRING UPDATE	9/21/2018	HRC



**PLUG,  
(POLYPROPYLENE)**



**VALVE,  
(POLYPROPYLENE)**



**O-RING,  
(EPDM)**

**1/8" NPT  
(PIPE THREAD)**

**VALVE O-RING,  
INTERNAL  
(EPDM)**

**VALVE SPRING,  
INTERNAL  
(STAINLESS STEEL)**

**NOTES:**

1. MATERIAL: POLYPROPYLENE
2. COLOR: MOLDED ALMOND
3. O-RING MATERIAL: EPDM
4. O-RINGS LUBRICATED WITH FOOD GRADE SILICONE OIL, 350 CST.

**FOR REFERENCE ONLY**

<small>UNLESS OTHERWISE SPECIFIED: DIMENSIONS ARE IN INCHES TOLERANCES: FRACTIONAL ± 1/32 ANGULAR: MACH ± 0.5 BEND ± 2 ONE PLACE DECIMAL ± 0.1 TWO PLACE DECIMAL ± 0.01 THREE PLACE DECIMAL ± 0.005 TWO PLACE DUAL (mm) [± 0.12]</small>	DRAWN	CGS	5/7/18	
	CHECKED	HRC	5/7/18	
	ENG APPR.	HRC	9/21/18	
	MFG APPR.	BDB	9/21/18	
<small>PROPRIETARY AND CONFIDENTIAL THE INFORMATION CONTAINED IN THIS DRAWING IS THE SOLE PROPERTY OF LINKTECH LLC. ANY REPRODUCTION OR DISCLOSURE IN PART OR AS A WHOLE WITHOUT THE WRITTEN PERMISSION OF LINKTECH LLC IS STRICTLY PROHIBITED.</small>	PRODUCTION	LS	9/21/18	<b>PART NO:</b> 20PPV-PE1-02MALD  <b>DESCRIPTION:</b> LinkTech 20PP Series Male Thread Male, Valved, 1/8" NPT, Molded Almond Color, Polypropylene  <b>SIZE DWG. NO.</b> C 20PP200192  <b>SCALE:</b> NTS <b>WEIGHT:</b> <b>SHEET 1 OF 1</b>
<small>REV</small> A				