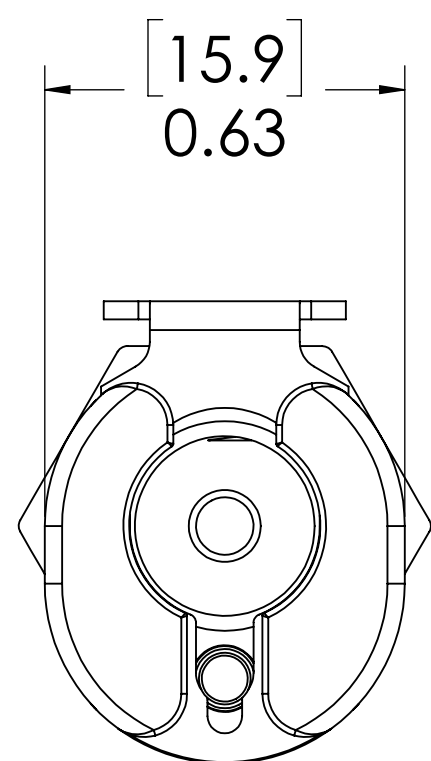
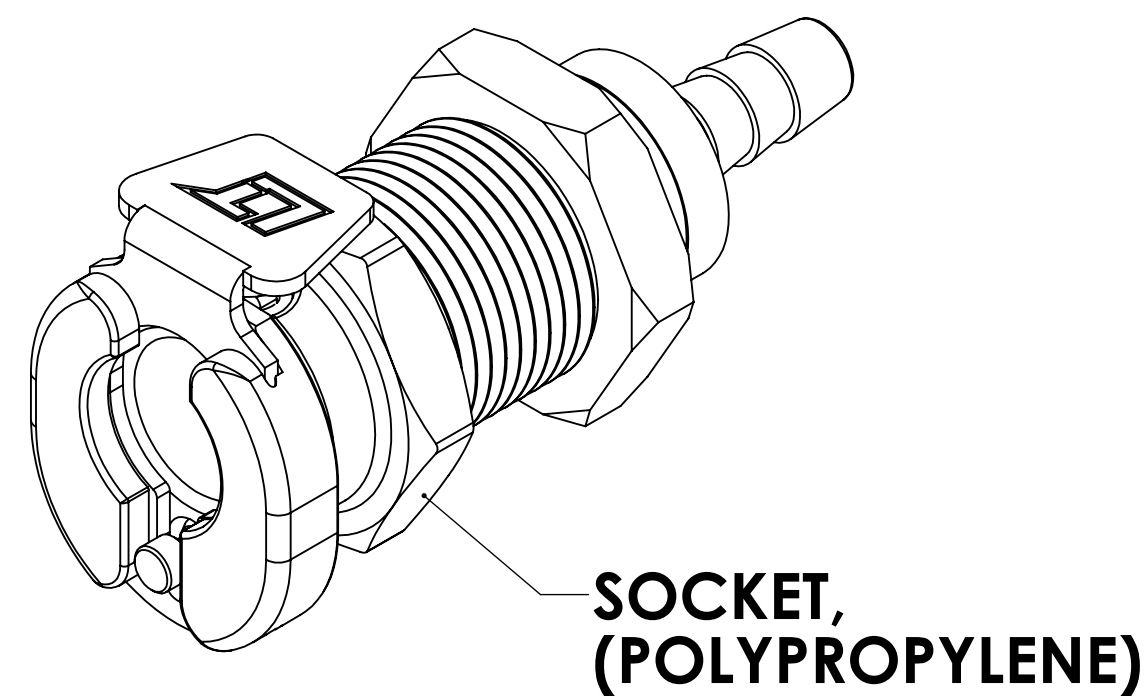
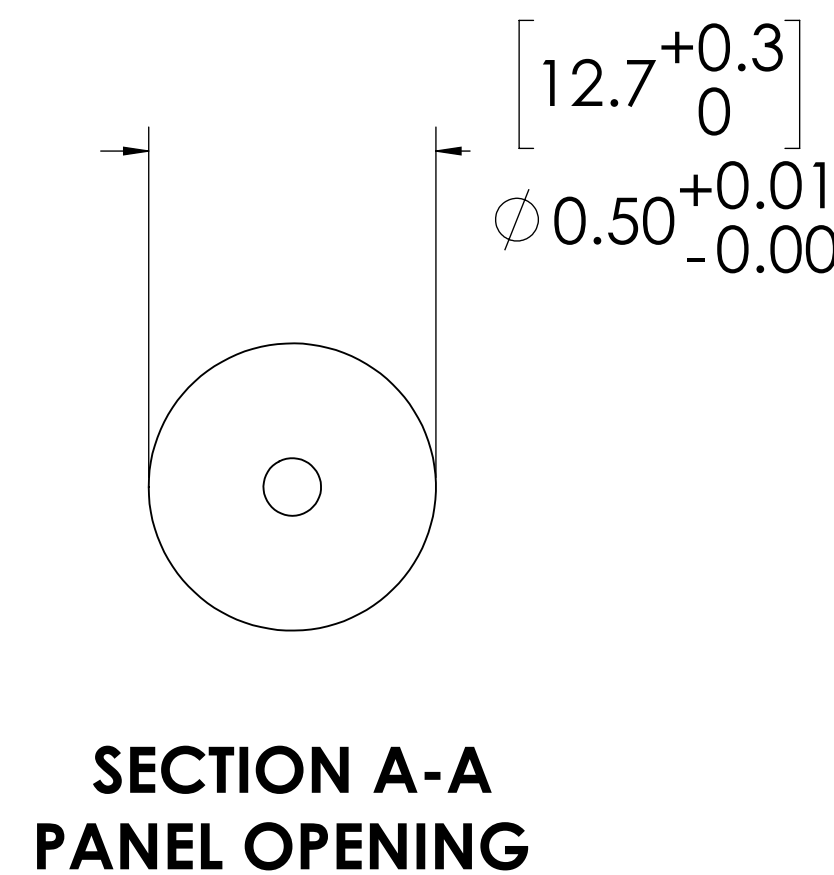
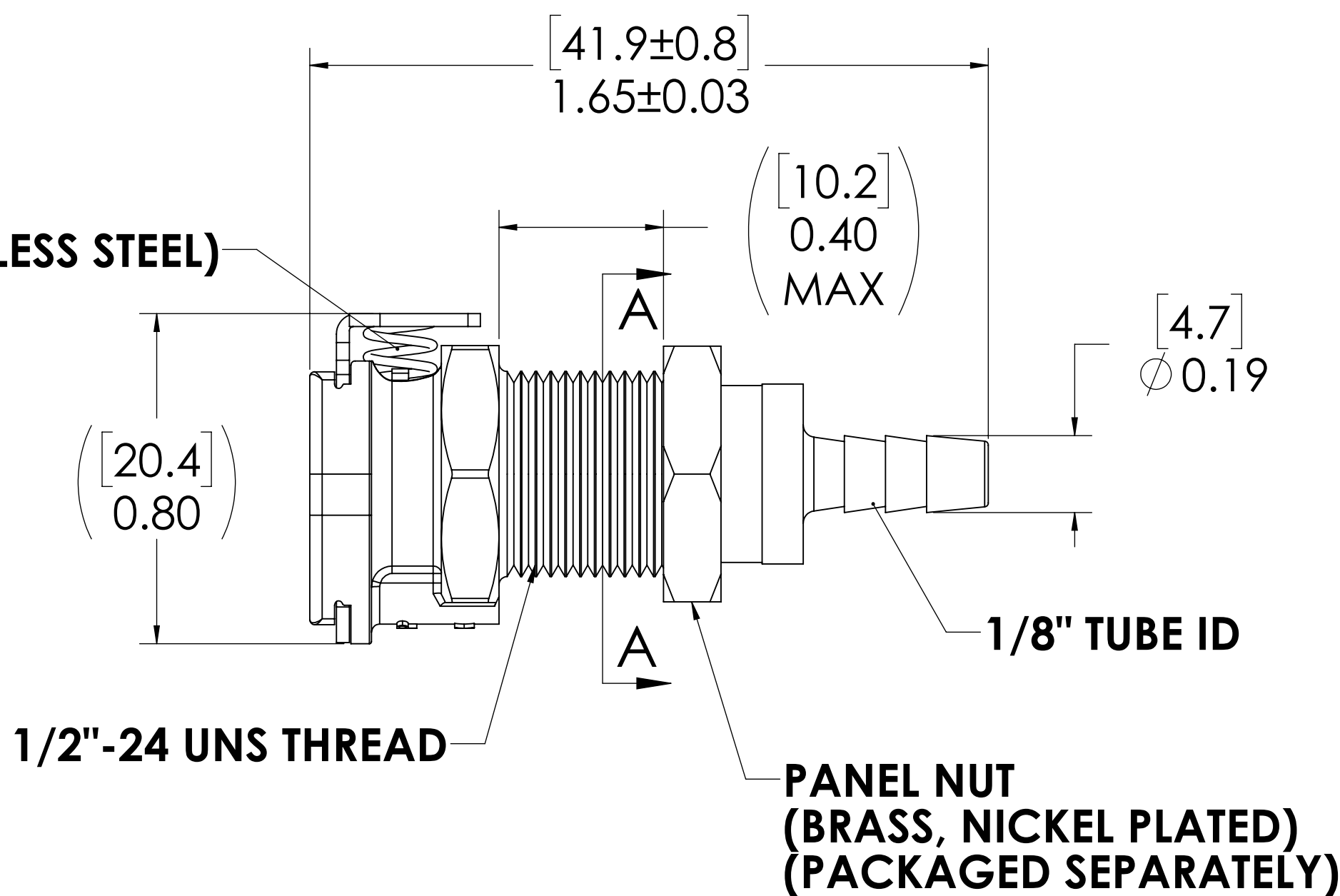


REVISIONS						
SHEET	ZONE	REV.	ECO	DESCRIPTION	DATE	APPROVED
1	ALL	A	50253	2017 FORMAT UPDATE	1/25/2019	HRC



**LATCH,  
(STAINLESS STEEL)**



**NOTES:**

1. MATERIAL: POLYPROPYLENE
2. COLOR: ALMOND
3. O-RING MATERIAL: EPDM
4. O-RINGS LUBRICATED WITH FOOD GRADE SILICONE OIL, 350 CST.

**FOR REFERENCE ONLY**

<small>UNLESS OTHERWISE SPECIFIED: DIMENSIONS ARE IN INCHES TOLERANCES: FRACTIONAL ±1/32 ANGULAR, MACH: ±0.5 BEND ±2 ONE PLACE DECIMAL ±0.1 TWO PLACE DECIMAL ±0.01 THREE PLACE DECIMAL ±0.005 TWO PLACE DUAL (mm) [±0.12]</small>	DRAWN	RDA	1/8/2018	
	CHECKED	HRC	1/8/2018	
	ENG APPR.	HRC	1/25/19	
	MFG APPR.	BDB	1/25/19	
PRODUCTION	LS	1/25/19		<b>PART NO:</b> 20PP-S3-02MALD <b>DESCRIPTION:</b> LinkTech 20PP Series Panel Mt. Female, Non-valved, 125 HB, Molded Almond Color, Polypr
<small>PROPRIETARY AND CONFIDENTIAL THE INFORMATION CONTAINED IN THIS DRAWING IS THE SOLE PROPERTY OF LINKTECH LLC. ANY REPRODUCTION OR DISCLOSURE IN PART OR AS A WHOLE WITHOUT THE WRITTEN PERMISSION OF LINKTECH LLC IS STRICTLY PROHIBITED.</small>	COMMENTS:			<b>SIZE</b> DWG. NO. REV <b>C</b> 20PP200212 <b>A</b>
SCALE: NTS		WEIGHT:	SHEET 1 OF 1	