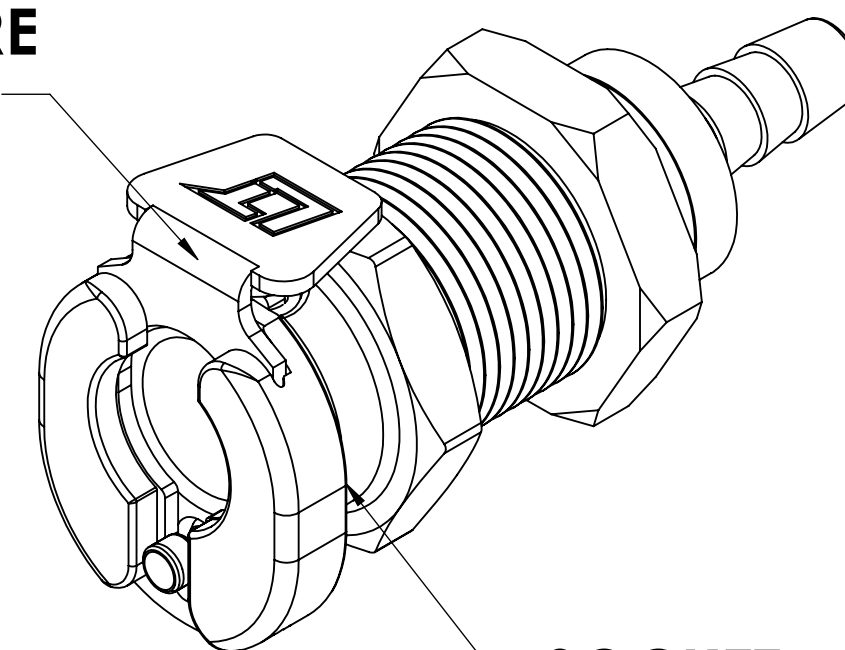
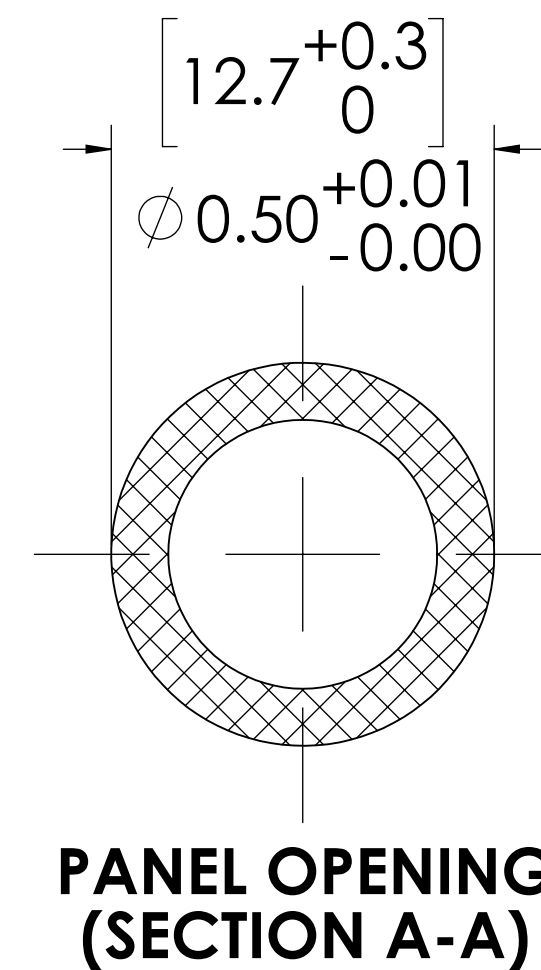
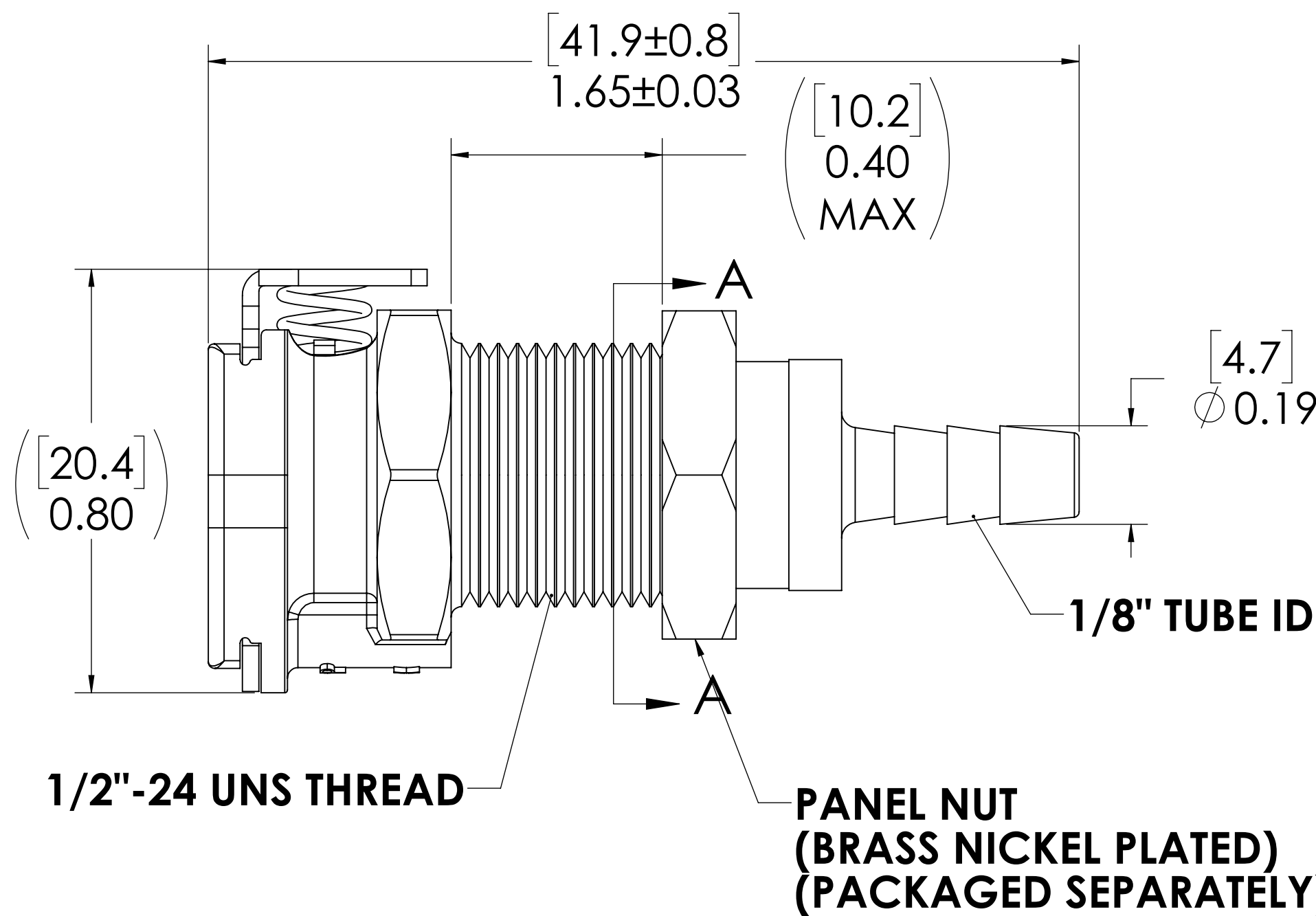
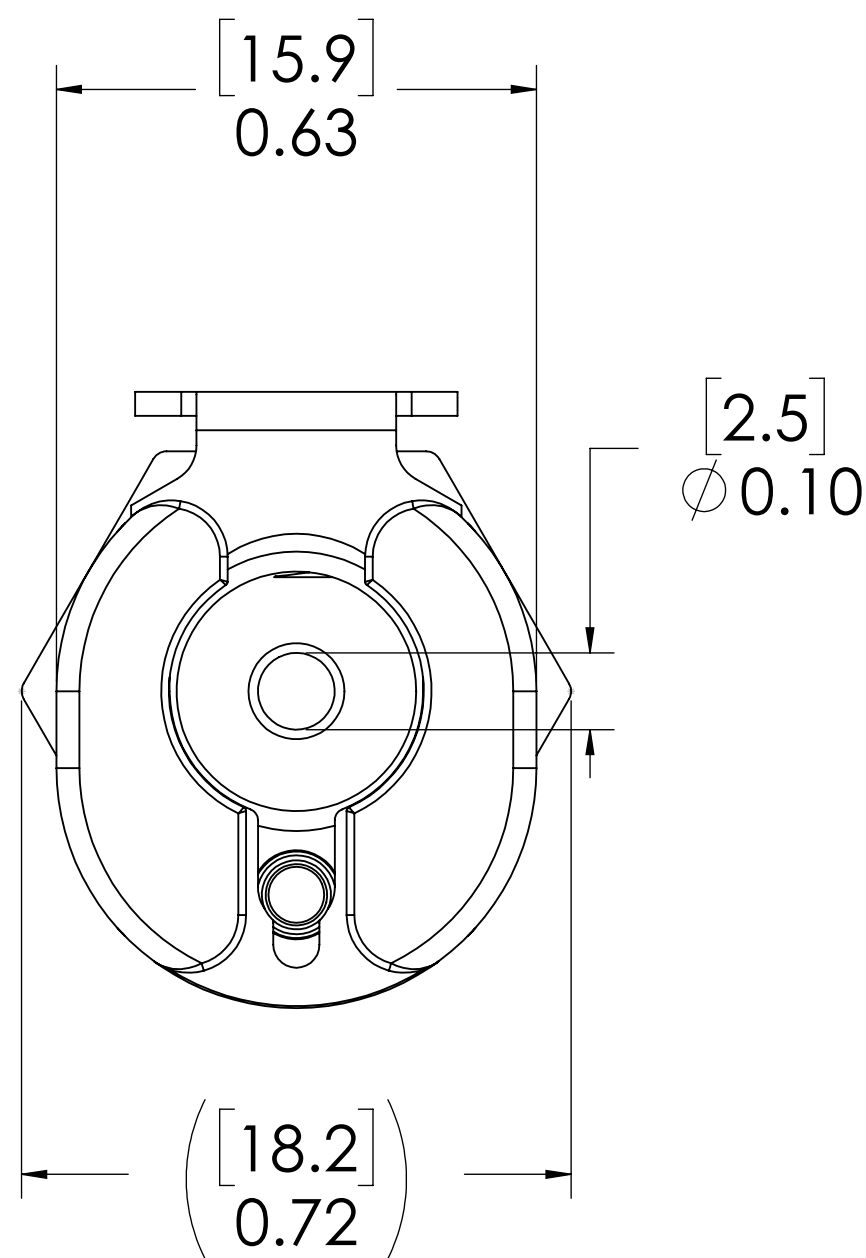


REVISIONS						
SHEET	ZONE	REV.	ECO	DESCRIPTION	DATE	APPROVED
1	ALL	A	50253	UPDATE DWG TO CURRENT FORMAT & STANDARDS	10/30/2018	HRC

**LATCH HARDWARE  
(STAINLESS STEEL)**



**SOCKET  
(POLYPROPYLENE)**



**FOR REFERENCE ONLY**

- NOTES:**
- MATERIAL: POLYPROPYLENE
  - COLOR: GREY

<small>UNLESS OTHERWISE SPECIFIED: DIMENSIONS ARE IN INCHES TOLERANCES: FRACTIONAL ±1/32 ANGULAR: MACH ±0.5 BEND ±2 ONE PLACE DECIMAL ±0.1 TWO PLACE DECIMAL ±0.01 THREE PLACE DECIMAL ±0.005 TWO PLACE DUAL (mm) [±0.12]</small>	DRAWN	LMP	6/6/2018	
	CHECKED	XXX	6/6/2018	
	ENG APPR.	HRC	10/30/18	
	MFG APPR.	BDB	10/30/18	
PRODUCTION	LS	10/30/18		<b>PART NO: 20PP-S3-02</b> <b>DESCRIPTION:</b> <b>LinkTech 20PP Series, Panel Mt. Female, Non-Valved, 1/4" HB, Polypropylene</b>
<small>PROPRIETARY AND CONFIDENTIAL THE INFORMATION CONTAINED IN THIS DRAWING IS THE SOLE PROPERTY OF LINKTECH LLC. ANY REPRODUCTION OR DISCLOSURE IN PART OR AS A WHOLE WITHOUT THE WRITTEN PERMISSION OF LINKTECH LLC IS STRICTLY PROHIBITED.</small>	COMMENTS:			<b>SIZE DWG. NO.</b> <b>C 20PP200085</b>
				<b>REV</b> <b>A</b>
				<b>SCALE: NTS WEIGHT:</b> <b>SHEET 1 OF 1</b>