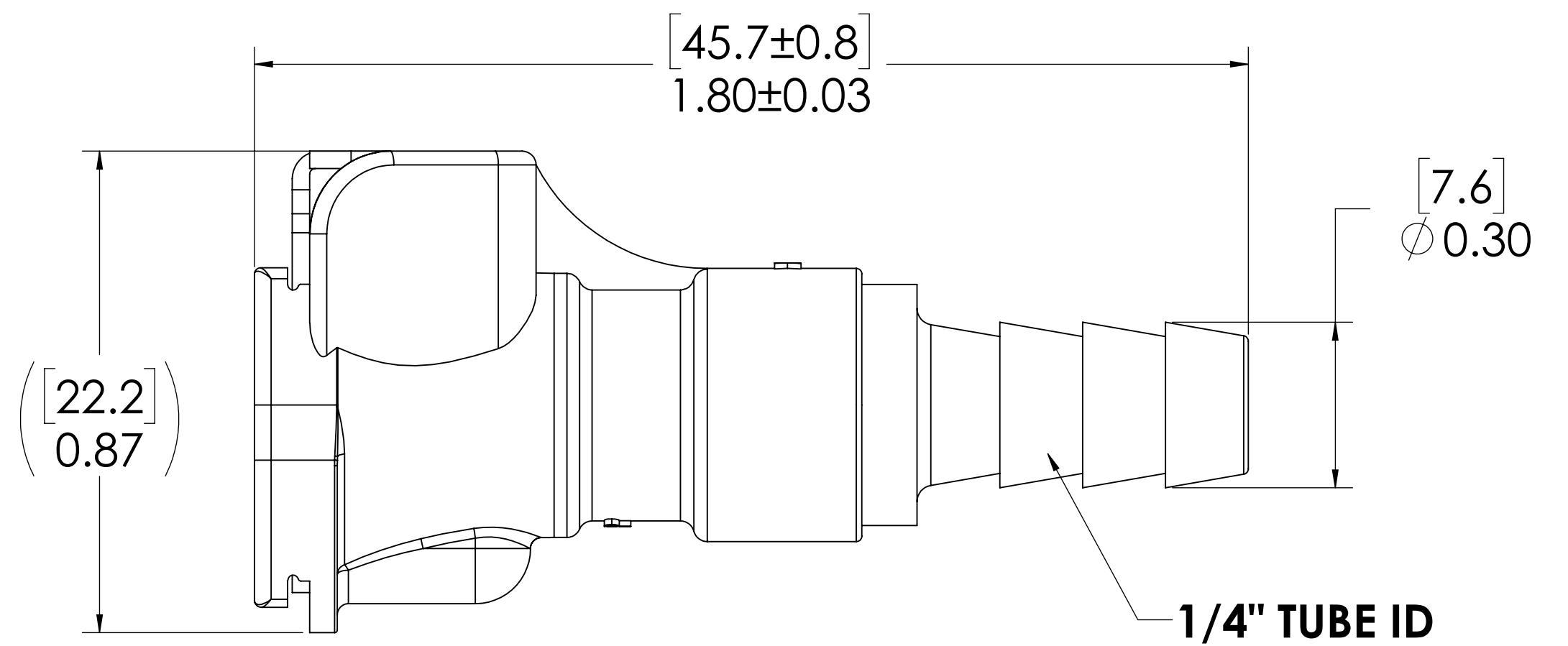
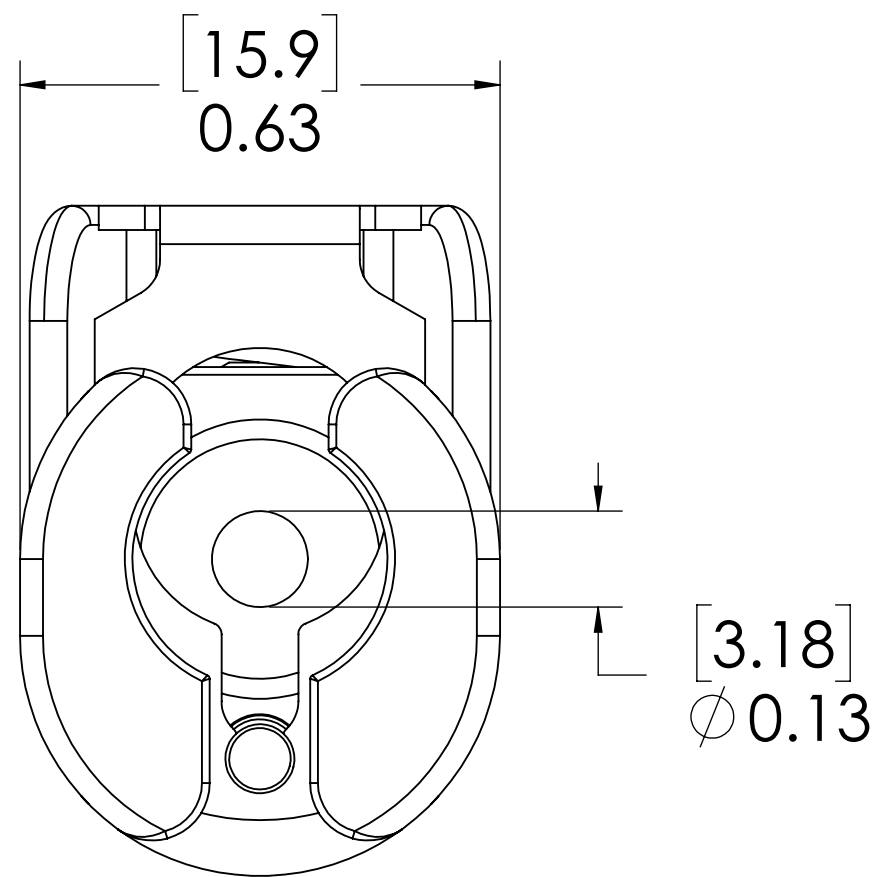
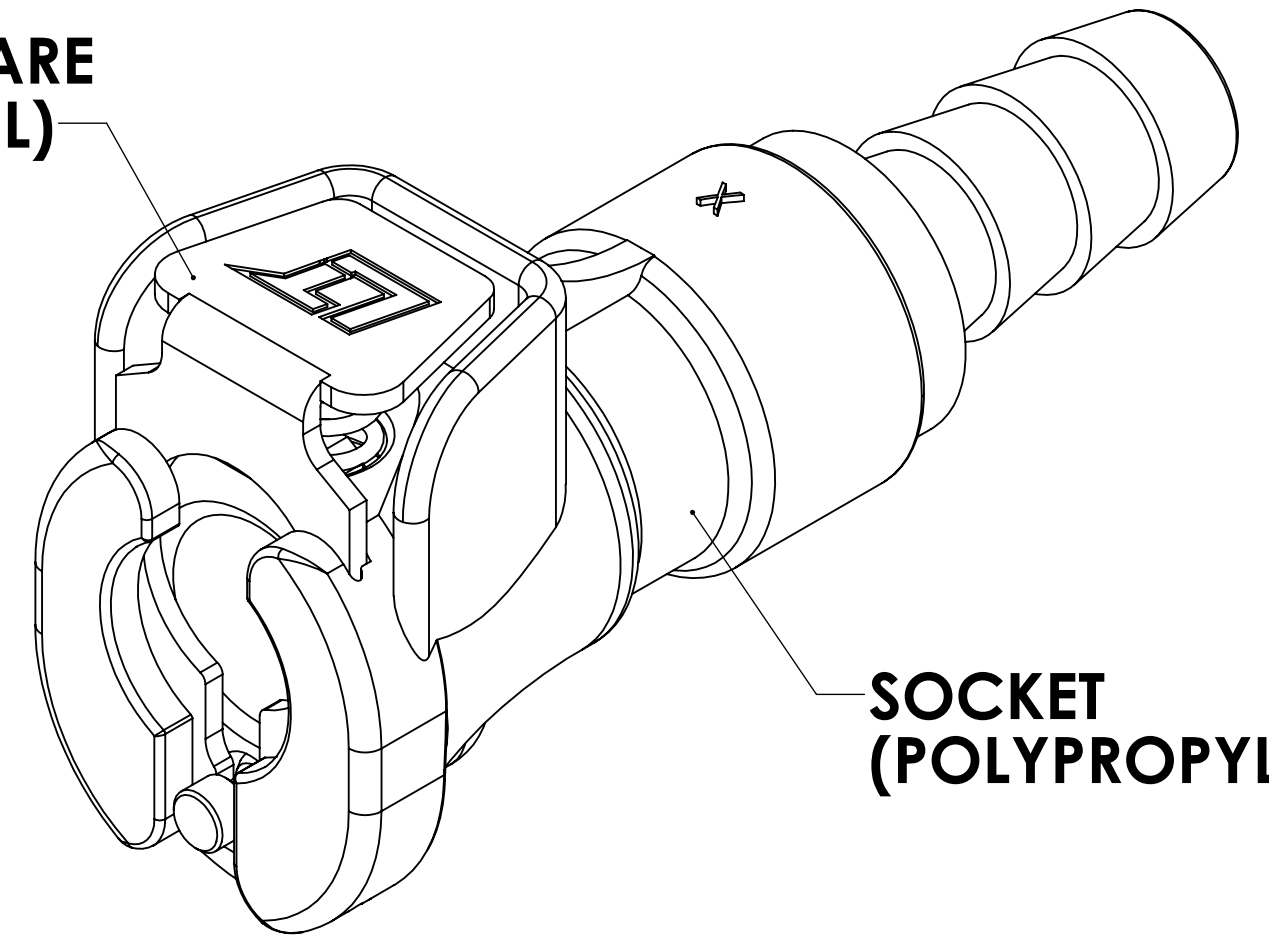


REVISIONS						
SHEET	ZONE	REV.	ECO	DESCRIPTION	DATE	APPROVED
1	ALL	A	50253	UPDATE DWG TO CURRENT FORMAT & STANDARDS	10/30/2018	HRC

**LATCH HARDWARE  
(STAINLESS STEEL)**


**SOCKET  
(POLYPROPYLENE)**



**NOTES:**

- MATERIAL: POLYPROPYLENE
- COLOR: GREY

**FOR REFERENCE ONLY**

UNLESS OTHERWISE SPECIFIED: DIMENSIONS ARE IN INCHES TOLERANCES: FRACTIONAL ± 1/32 ANGULAR: MACH ± 0.5 BEND ± 2 ONE PLACE DECIMAL ± 0.1 TWO PLACE DECIMAL ± 0.01 THREE PLACE DECIMAL ± 0.005 TWO PLACE DUAL (mm) [± 0.12]	DRAWN	LMP	6/5/2018	 <b>PART NO: 20PP-S2-04</b>
	CHECKED	HRC	6/5/2018	
<b>PROPRIETARY AND CONFIDENTIAL</b>  THE INFORMATION CONTAINED IN THIS DRAWING IS THE SOLE PROPERTY OF LINKTECH LLC. ANY REPRODUCTION OR DISCLOSURE IN PART OR AS A WHOLE WITHOUT THE WRITTEN PERMISSION OF LINKTECH LLC IS STRICTLY PROHIBITED.	ENG APPR.	HRC	10/30/18	<b>DESCRIPTION:</b> <b>LinkTech 20PP Series Straight Female, Non-Valved, 1/4" HB, Polypropylene</b>
	MFG APPR.	BDB	10/30/18	
	PRODUCTION	LS	10/30/18	
COMMENTS:				SIZE DWG. NO. REV <b>C 20PP200072 A</b>
SCALE: NTS WEIGHT:			SHEET 1 OF 1	