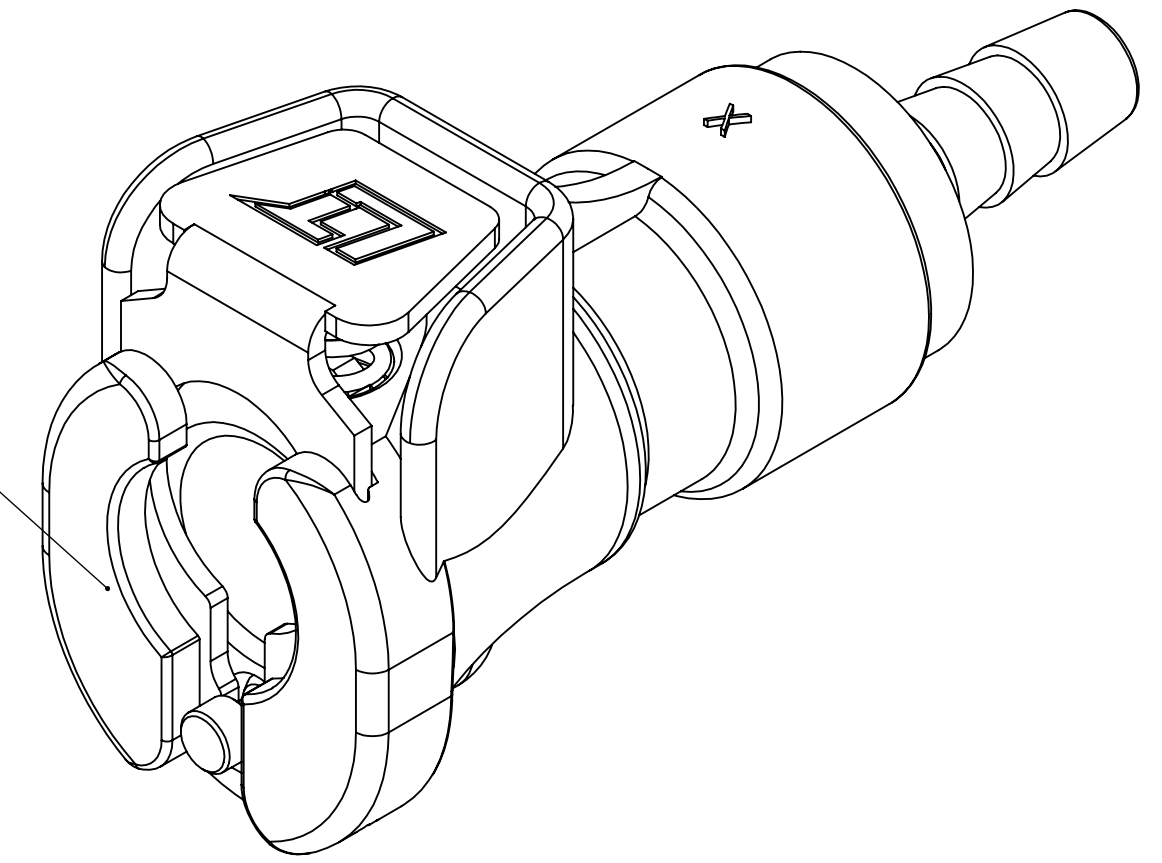
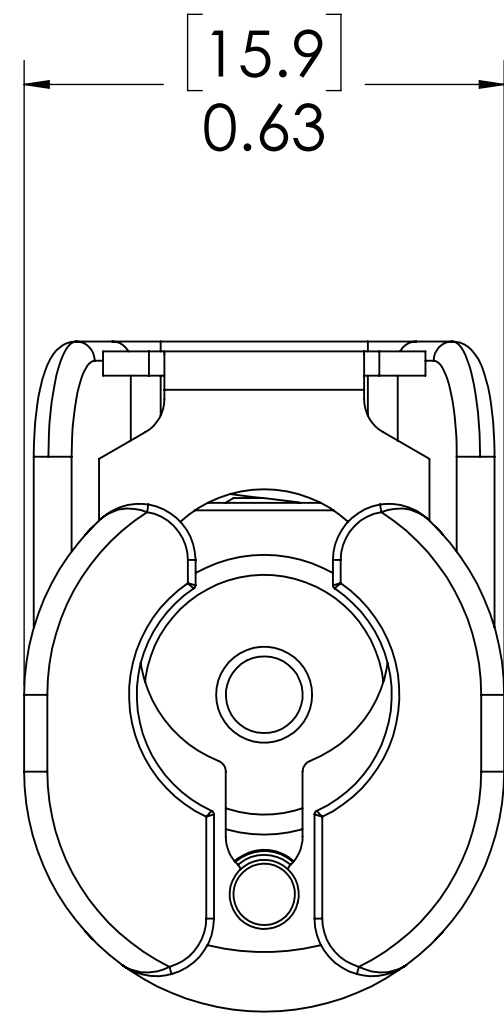
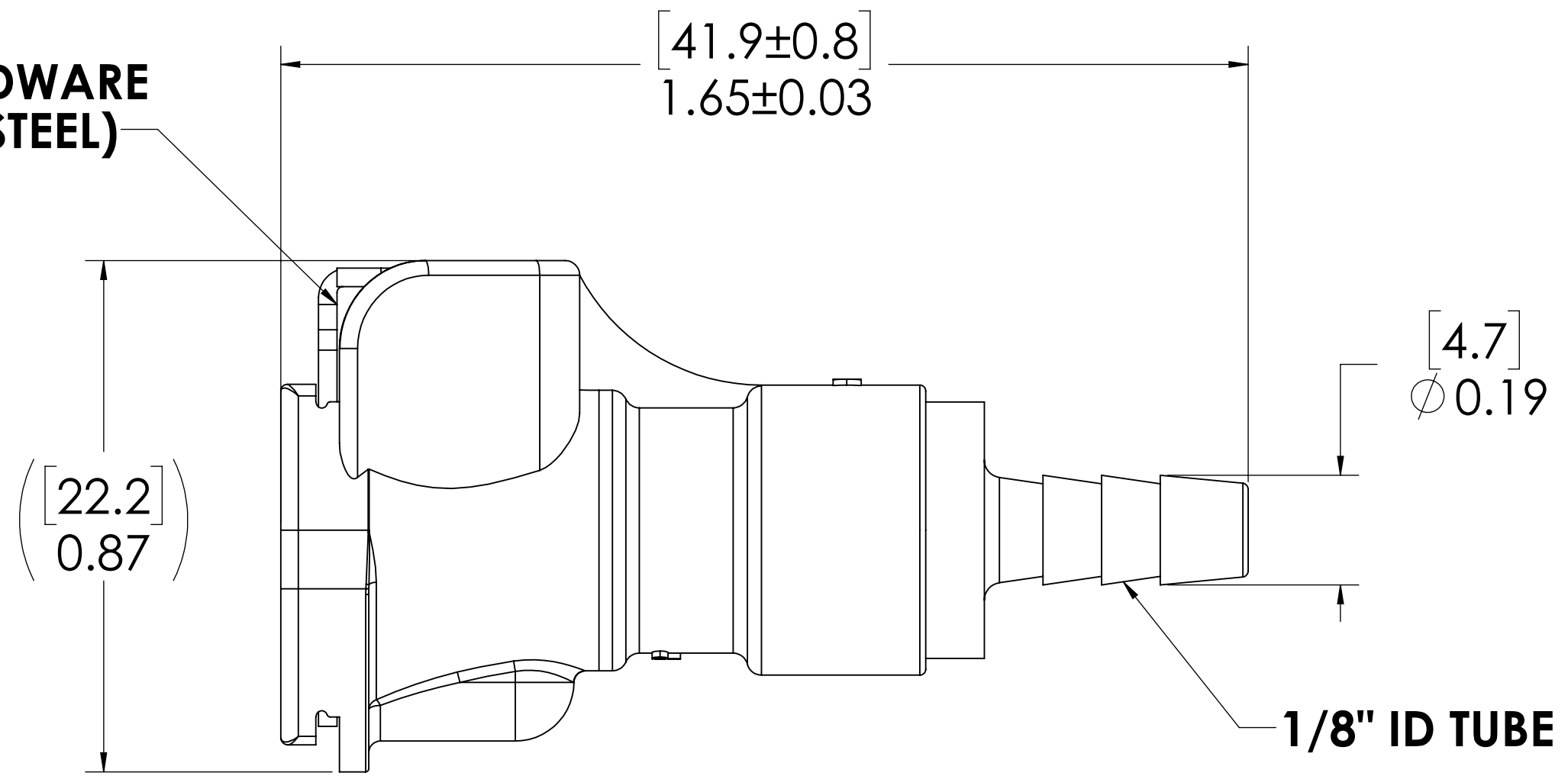


REVISIONS						
SHEET	ZONE	REV.	ECO	DESCRIPTION	DATE	APPROVED
1	ALL	A	50253	2017 FORMAT UPDATE	6/12/2018	HRC

**SOCKET,
(POLYPOPLYENE)**




**LATCH HARDWARE
(STAINLESS STEEL)**



- NOTES:**
- MATERIAL: POLYPROPYLENE
 - COLOR: GREY

FOR REFERENCE ONLY

<small>UNLESS OTHERWISE SPECIFIED: DIMENSIONS ARE IN INCHES TOLERANCES: FRACTIONAL ± 1/32 ANGULAR: MACH ± 0.5 BEND ± 2 ONE PLACE DECIMAL ± 0.1 TWO PLACE DECIMAL ± 0.01 THREE PLACE DECIMAL ± 0.005 TWO PLACE DUAL (mm) [±0.12]</small>	DRAWN	DHJ	5/12/10	 PART NO: 20PP-S2-02 DESCRIPTION: LinkTech 20PP Series Straight Female, Non-valved, 1/8" HB, Molded Grey Color, Polypropylene
	CHECKED	DHJ	5/12/10	
	ENG APPR.	HRC	6/12/18	
	MFG APPR.	BDB	6/12/18	
<small>PROPRIETARY AND CONFIDENTIAL THE INFORMATION CONTAINED IN THIS DRAWING IS THE SOLE PROPERTY OF LINKTECH LLC. ANY REPRODUCTION OR DISCLOSURE IN PART OR AS A WHOLE WITHOUT THE WRITTEN PERMISSION OF LINKTECH LLC IS STRICTLY PROHIBITED.</small>	Q.A.	JJB	6/12/18	SIZE DWG. NO. REV C 20PP200064 A
COMMENTS:			SCALE: NTS WEIGHT:	SHEET 1 OF 1