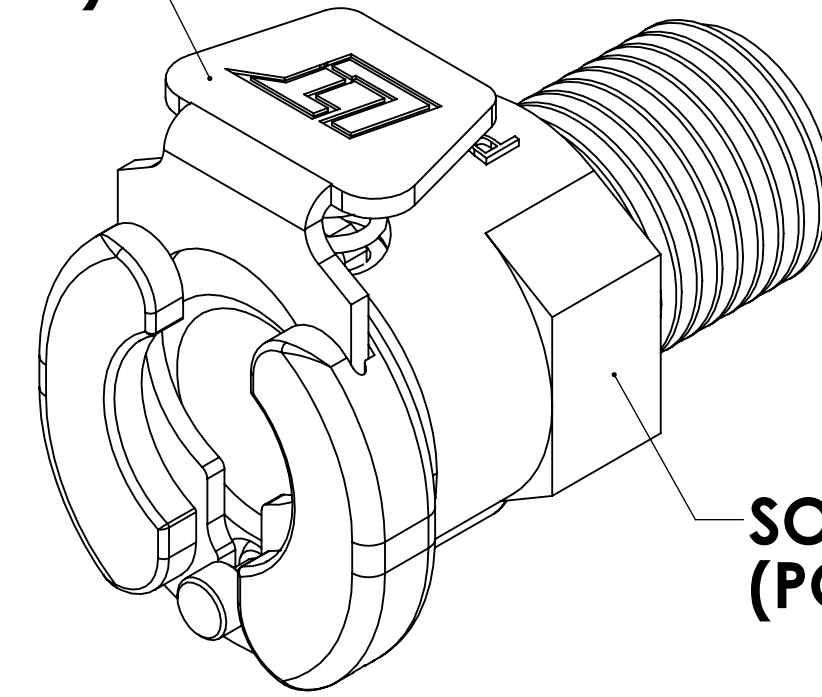
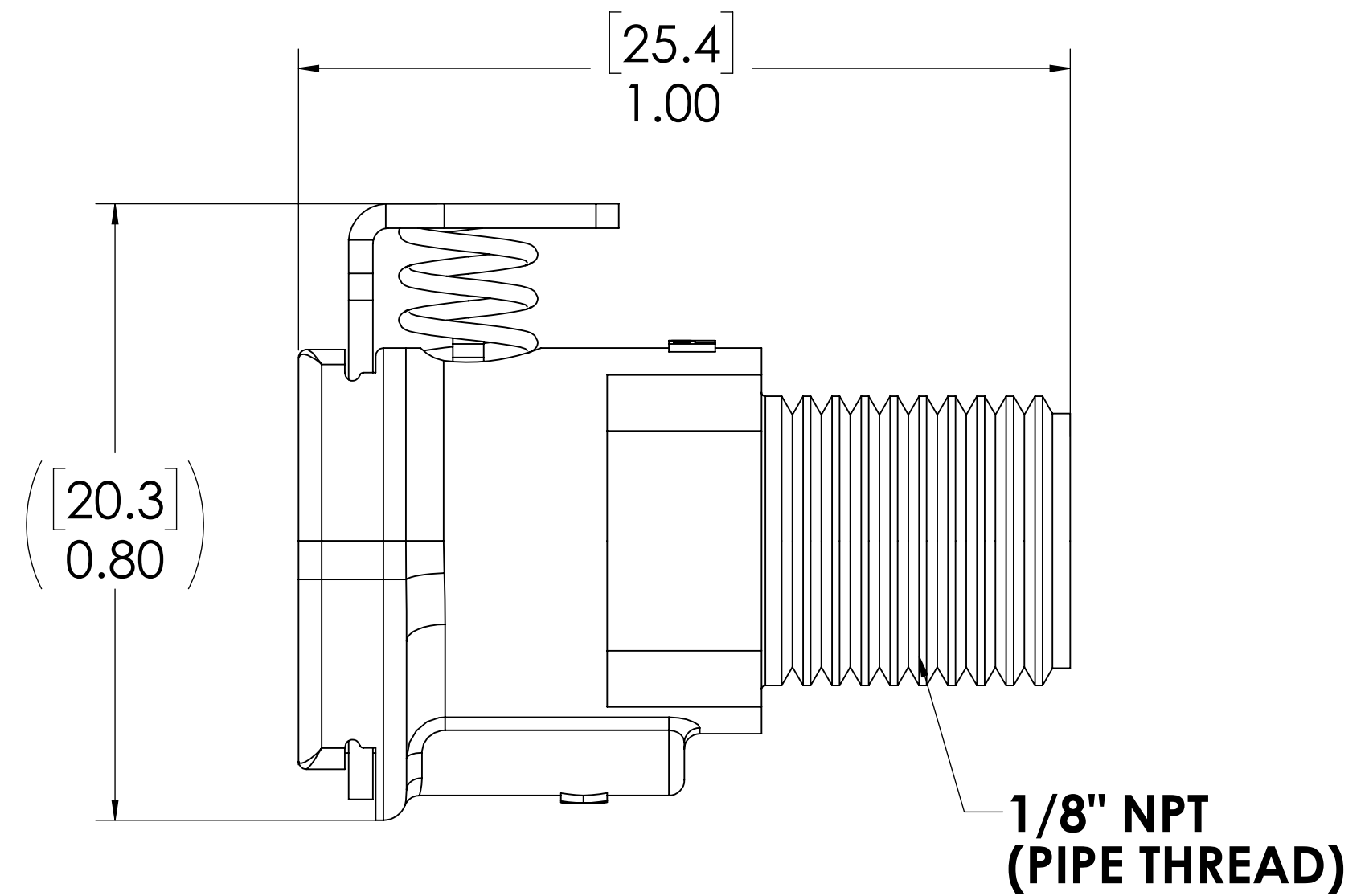
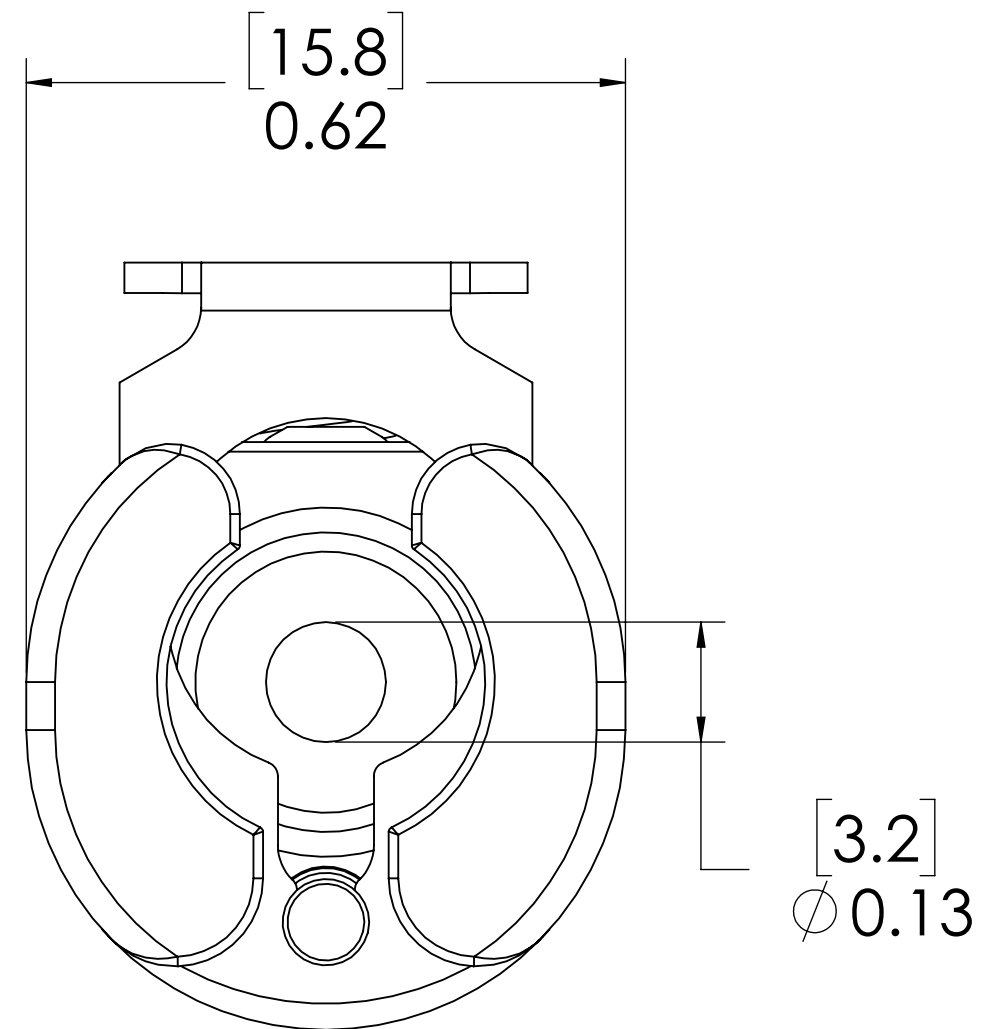


REVISIONS						
SHEET	ZONE	REV.	ECO	DESCRIPTION	DATE	APPROVED
1	ALL	A	50242	UPDATE DWG TO CURRENT FORMAT & STANDARDS	11/6/2018	HRC

**LATCH HARDWARE
(STAINLESS STEEL)**




**SOCKET
(POLYPROPYLENE)**



- NOTES:**
- MATERIAL: POLYPROPYLENE
 - COLOR: GREY

FOR REFERENCE ONLY

<small>UNLESS OTHERWISE SPECIFIED: DIMENSIONS ARE IN INCHES TOLERANCES: FRACTIONAL ± 1/32 ANGULAR: MACH ± 0.5 BEND ± 2 ONE PLACE DECIMAL ± 0.1 TWO PLACE DECIMAL ± 0.01 THREE PLACE DECIMAL ± 0.005 TWO PLACE DUAL (mm) [± 0.12]</small>	DRAWN	LMP	6/5/2018	 PART NO: 20PP-S1-02 DESCRIPTION: LinkTech 20PP Series, Male Thread Socket, Non-Valved, 1/8" NPT, Polypropylene						
	CHECKED	HRC	6/5/2018							
	ENG APPR.	HRC	11/6/18							
	MFG APPR.	BDB	11/6/18							
PRODUCTION	LS	11/6/18								
<small>PROPRIETARY AND CONFIDENTIAL THE INFORMATION CONTAINED IN THIS DRAWING IS THE SOLE PROPERTY OF LINKTECH LLC. ANY REPRODUCTION OR DISCLOSURE IN PART OR AS A WHOLE WITHOUT THE WRITTEN PERMISSION OF LINKTECH LLC IS STRICTLY PROHIBITED.</small>	COMMENTS:			<table border="1"> <tr> <td>SIZE</td> <td>DWG. NO.</td> <td>REV</td> </tr> <tr> <td>C</td> <td>20PP200067</td> <td>A</td> </tr> </table>	SIZE	DWG. NO.	REV	C	20PP200067	A
SIZE	DWG. NO.	REV								
C	20PP200067	A								
SCALE: NTS		WEIGHT:	SHEET 1 OF 1							