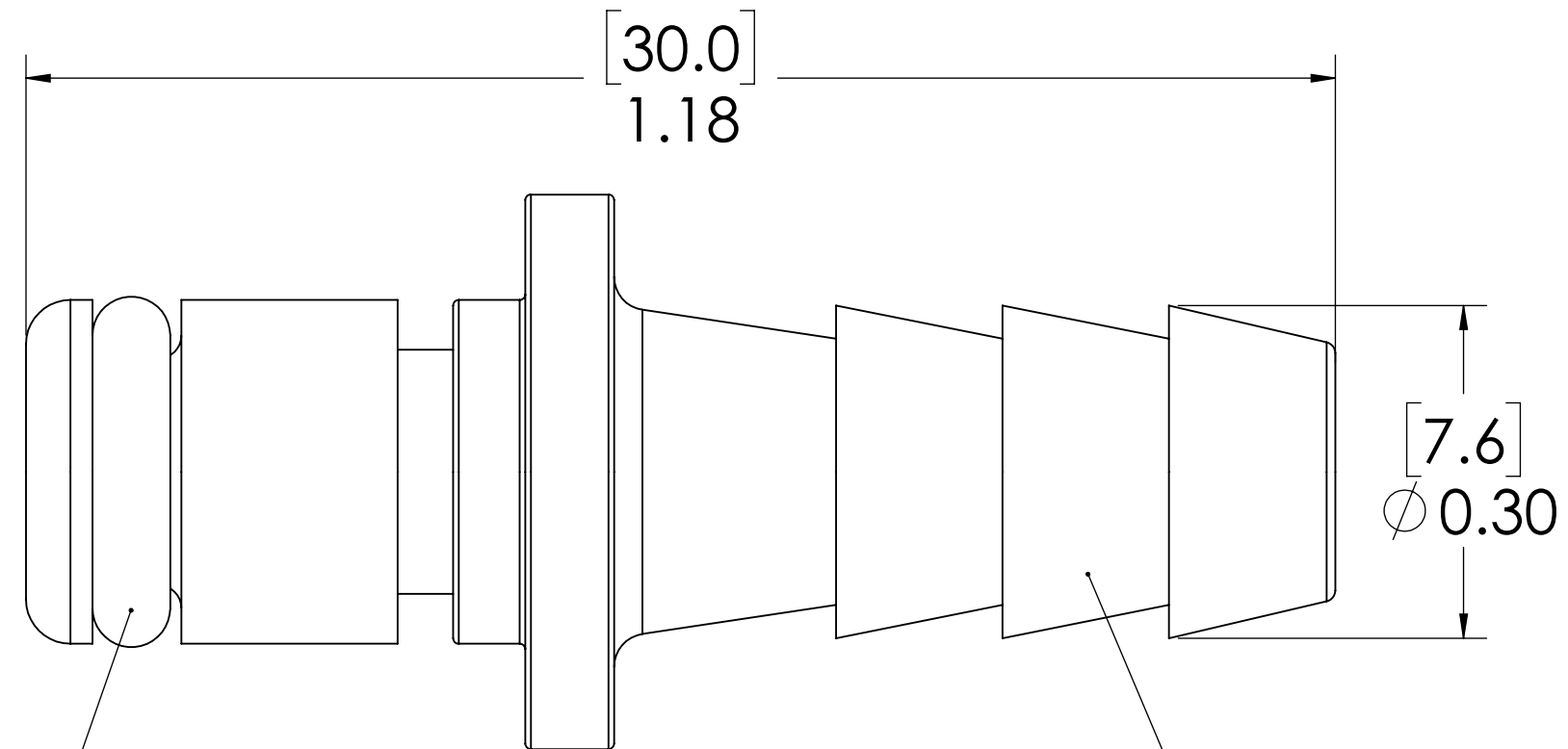
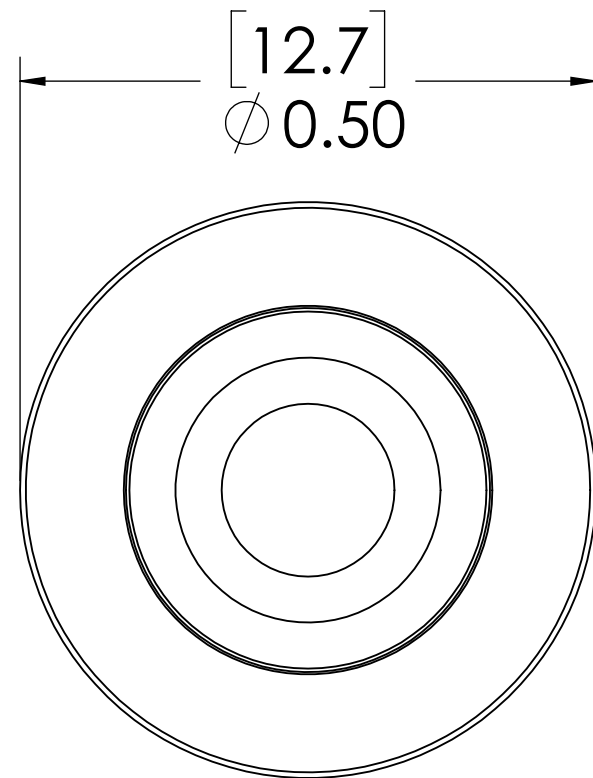
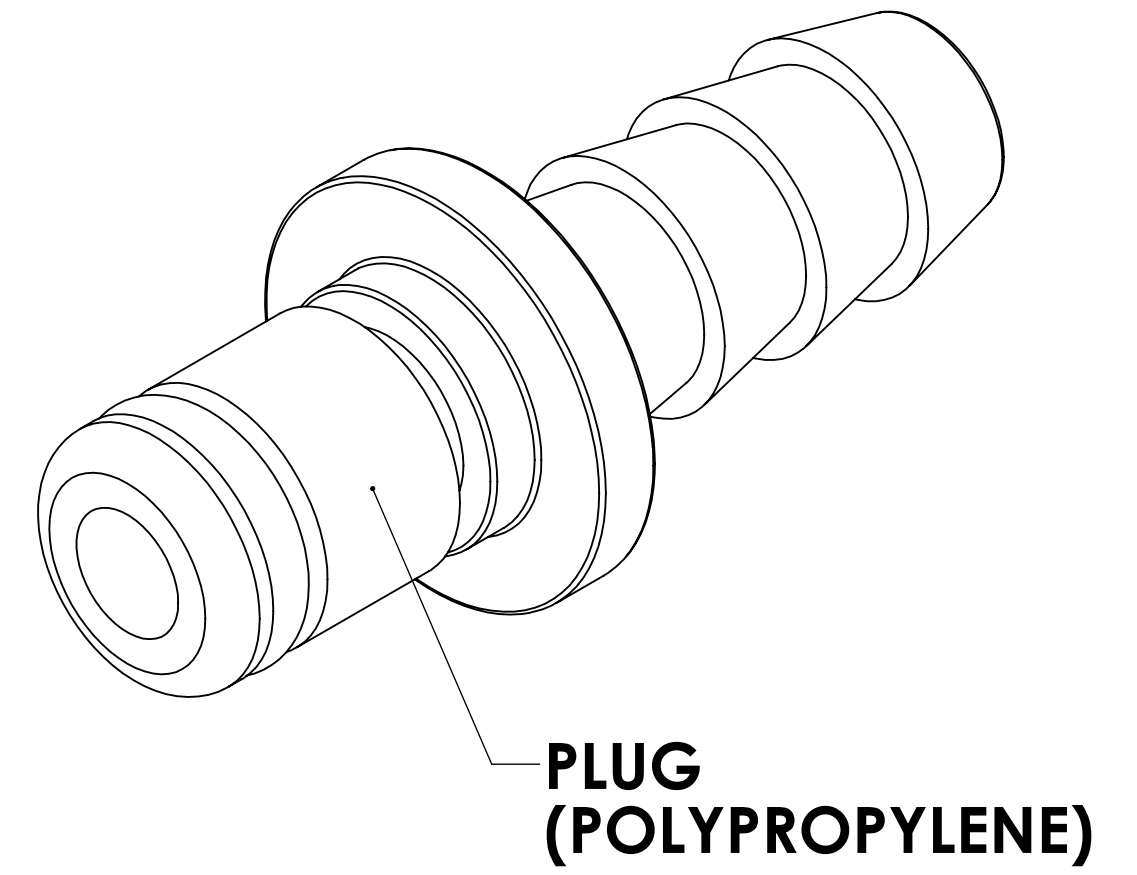


REVISIONS						
SHEET	ZONE	REV.	ECO	DESCRIPTION	DATE	APPROVED
1	C-7	A	CHANGED O-RING FROM FOOD GRADE TO PEROXIDE CURE EPDM	9/24/2010	DHJ
1	ALL	B	50253	UPDATE DWGS TO CURRENT FORMAT & STANDARDS	10/30/2018	HRC




**O-RING
EXTERNAL
(EPDM)**

1/4" TUBE ID

NOTES:

1. MATERIAL: POLYPROPYLENE
2. COLOR: GREY
3. O-RING MATERIAL: EPDM
4. O-RINGS LUBRICATED WITH FOOD GRADE SILICONE OIL, 350 CST.

FOR REFERENCE ONLY

<small>UNLESS OTHERWISE SPECIFIED: DIMENSIONS ARE IN INCHES TOLERANCES: FRACTIONAL ± 1/32 ANGULAR: MACH ± 0.5 BEND ± 2 ONE PLACE DECIMAL ± 0.1 TWO PLACE DECIMAL ± 0.01 THREE PLACE DECIMAL ± 0.005 TWO PLACE DUAL (mm) [±0.12]</small>	DRAWN	LMP	6/5/2018	 PART NO: 20PP-PE2-04 DESCRIPTION: LinkTech 20PP Series, Inline Plug, Non-Valved, 1/4" HB, Polypropylene
	CHECKED	HRC	6/5/2018	
	ENG APPR.	HRC	10/30/18	
	MFG APPR.	BDB	10/30/18	
<small>PROPRIETARY AND CONFIDENTIAL THE INFORMATION CONTAINED IN THIS DRAWING IS THE SOLE PROPERTY OF LINKTECH LLC. ANY REPRODUCTION OR DISCLOSURE IN PART OR AS A WHOLE WITHOUT THE WRITTEN PERMISSION OF LINKTECH LLC IS STRICTLY PROHIBITED.</small>	PRODUCTION	LS	10/30/18	<small>SCALE: NTS WEIGHT: SHEET 1 OF 1</small>
<small>COMMENTS:</small>		<small>SIZE DWG. NO. REV</small> C 20PP200071 B		